

NEFF
cook. create. inspire.



*The NEFF
APPLIANCES RANGE 2023*

Introduction to NEFF

Cook. Create. Inspire

At NEFF we believe that the kitchen is the heart of every home. A place to eat, meet and get creative with your cooking. With an extensive range of innovative appliances, we're constantly working to meet the demands of every lifestyle. From our unique Slide&Hide® disappearing oven door, to our extensive range of steam and pyrolytic ovens, hobs and hoods, these appliances expertly installed create the perfect NEFF Kitchen.

Contents

OVENS	4-55
Introduction To Ovens	4-8
Introducing Graphite Grey	9
Fascia Display Types	10-11
Home Connect	12-13
Key Functions Guide	14-15
N90 and N70 Range of Appliances	16-17
Seamless Combination®	18-19
Introduction to N50	20-21
N50 Range of Appliances	22-23
N90/N70 Graphite Grey Appliance List	24
N70 Stainless Steel Appliance List	25
N50 Appliance List	26
Product Specification	28-45
Product Line Drawings	46-55
HOBBS	56-95
Your Guide To Hobs	56-57
Your Guide To Sizes & Finishes	58-59
Hobs by Size	60-64
Key Functions Guide	65
Accessories	66-67
Product Specification	68-85
Product Line Drawings	86-95
COOKER HOODS	96-139
Your Guide To Island Solutions	96-97
Your Guide To Wall Mounted Solutions	98-101
Your Guide To Integrated Furniture Solutions	102-103
Your Guide To Control Types	104
Key Functions Guide	105
Your Guide To Installation Options	106-107
Product Specification	108-127
Product Line Drawings	128-139
COOLING	140-177
Your Guide To Refrigeration	140-141
NEW XL & XXL Built-In Fridge Freezers	142-143
Your Guide To Sizes	144
Hinge Types	145
Key Functions Guide	146-147
Fridges & Freezers by Size	148-151
Product Specification	152-167
Product Line Drawings	168-177
DISHWASHERS	178-191
Your Guide To Dishwashers	178
Feature Highlights	179
N90 & N70 Range of Appliances	180
N50 & N30 Range of Appliances	181
Key Functions Guide	182-183
Product Specification	184-189
Product Line Drawings	190-191
LAUNDRY	192-197
Your Guide To Laundry	192
Key Functions Guide	193
Product Specification	194-195
Product Line Drawings	196-197
NEFF CUSTOMER SERVICE	198-199



Refreshed. Refined
REDESIGNED

NEFF has been and always will be about bringing joy to the kitchen and sparking cooking enthusiasm in people.

We have sharpened, refocused and refined the NEFF brand whilst retaining the values that make NEFF so inspiring to those that love to cook.

Our logo and tagline have evolved - Cook. Create. Inspire. In this brochure we reinforce the unconventionality of the brand - how we truly are *Open Like No Other* and we unfold the range that we will introduce this year.



The new refreshed N90 & N70 are refined and sleek in the new Graphite Grey and have an intuitive new Touch Screen Control. Our N50 Range is also fully detailed with the more traditional dial controls available in classic Stainless Steel and Graphite Grey – truly offering something for every cooking style.

Open for **CREATIVE FREEDOM**

Slide & Hide® – The only oven with a disappearing door

Slide & Hide® is simply the first choice for individualists, who want to enjoy their passion for cooking without limitations.

Our iconic Slide & Hide® door effortlessly slides away beneath the oven when not in use. So nothing gets in the way of your creativity. Get up close and personal to season and stir your favourite dishes.



Ultimate flavour and texture

Cooking with steam isn't just cooking with steam, its temperature, volume and the precise moment it hits your food all play an important role in flavour and texture. The NEFF Core range has a variety of steam options to suit every cooking style across the various value classes.

Intensive Steam

**Intensify flavours and
preserve nutrients**

Experience Full Steam with the new Intensive Steam feature with 120°C heat that retains your ingredient's nutrients and taste, for deliciously moist and flavoursome results.



Open for **YOUR TASTE**

Circo Therm® – Hot air system for simultaneous cooking

Circo Therm® hot air technology focusses heat directly on the food being cooked, so surfaces of bakes and roasts are sealed quickly. This seals in moisture makes meats juicier and cakes delicious and moist.

Circo Therm® allows you to be the most creative cook you choose to be - show off bakes evenly cooked, inspiring powerful flavours that can all be cooked with more delicate dishes and each one tastes just as it should - and for those that want to use every inch of the oven when it's on, you can easily bake and roast meals for later in the week at the same time - being not only creative but energy efficient too.



Vario Steam®

Family feasts, cooked to perfection

Vario Steam® gives dishes just the right amount of moisture by adding steam at three intensity levels, meaning all your dishes retain their gorgeous colour and flavour. A low level is perfect if you're reheating a dish you've cooked earlier and a higher level is great for baking bread.



Added Steam

Perfect for bread baking

Added Steam releases steam into the oven at the start of a bake, allowing for perfect moisture levels without compromising on a crispy crust. For perfect bread, muffins, and more.



Introducing GRAPHITE GREY to the N90 & N70 Collections

Introducing Graphite Grey to our NEFF Core Range

This rich dark tone of grey will be introduced across the NEFF Core Range throughout 2023. It's already available in our N50 Collection and this brochure has been designed to introduce the brand new features that we are introducing to our N90 & N70 Collections.



Fully connected cooking

Be inspired and reduce food waste with free recipes in the Home Connect app and with our recipe partners. Achieving perfect results has never been easier. With Oven Assistant, simply use the Home Connect app or ask Alexa to find the perfect setting for your dish. For regularly used programmes, save these as favourites for super quick, convenient access, so you can concentrate on your cooking. Stay better connected with your guests with oven control and monitoring via smartphone, voice or smartwatch. No more dashing back and forth to the kitchen!



Pyrolytic Self-Cleaning – So you don't have to

With Pyrolytic Self-Cleaning hand cleaning the oven becomes a thing of the past. Turn on the function and let it transform all the splatterings and drippings into ash. When the oven has cooled, wipe off the rest and presto, your oven is spick and span again. Easy Clean comes in handy as a quick way to clean your oven interior in between pyro cycles. Just some water and a drop of liquid detergent, activate the Easy Clean programme and wipe off the softened food residue afterwards.



NEW Twist Pad®

On selected models there is a brand new Twist Pad®*. Using the same control to point and twist to operate the hob, this also features a graphite grey trim to accessorize to the oven trim.

*This new Twist Pad® is available on selected N90 Flex induction hobs.



Fascia Display Types **HIERARCHY**

New high resolution interface available across N90 and N70 collections

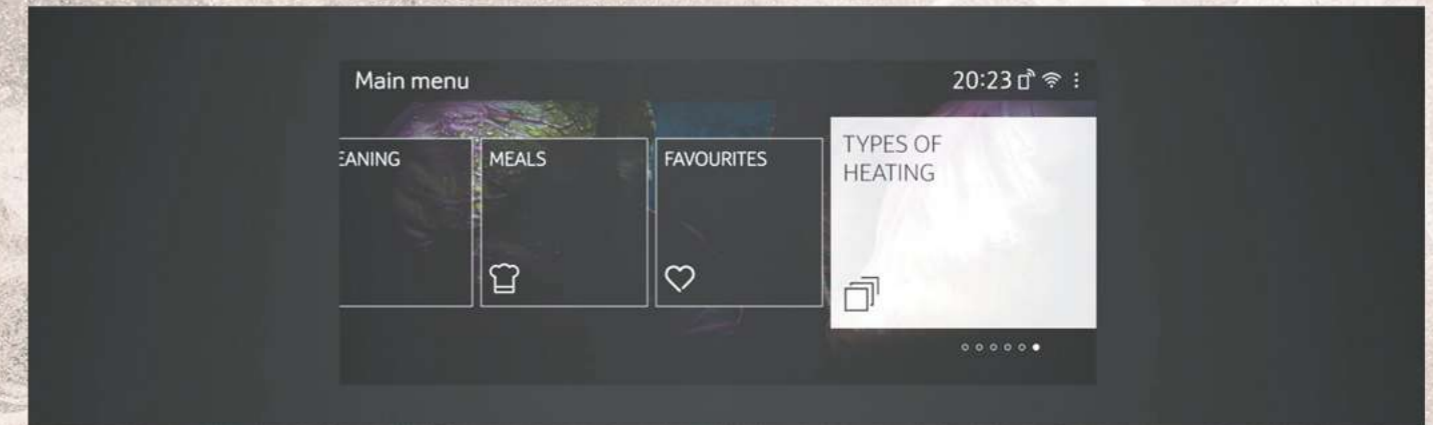
Our Update to N90 & N70 includes the brand new Full Touch Screen interface. The Full Touch Screen is both intuitive and responsive – control the function and temperature with a swipe and a tap to allow for ultimate flexibility while cooking. The Full Touch Screen is available in three sizes to match the collections.



All N90 and N70 products come with Home Connect enabling you to be more connected to your cooking.

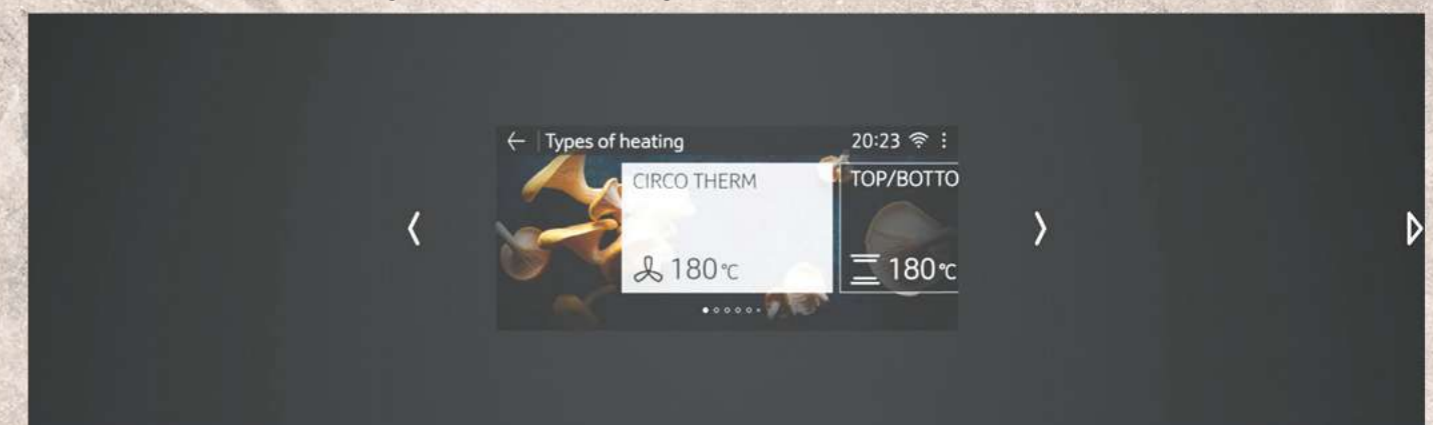
N90 Full Touch 3

Full Touch Screen display; 6.8" high resolution TFT colour graphics display.



N90 Full Touch 2

Full Touch Screen display; 4.1" high resolution TFT colour graphics display.



N70 Full Touch 1

Full Touch Screen display; 3.7" high resolution TFT colour graphics display.



Get more with HOME CONNECT

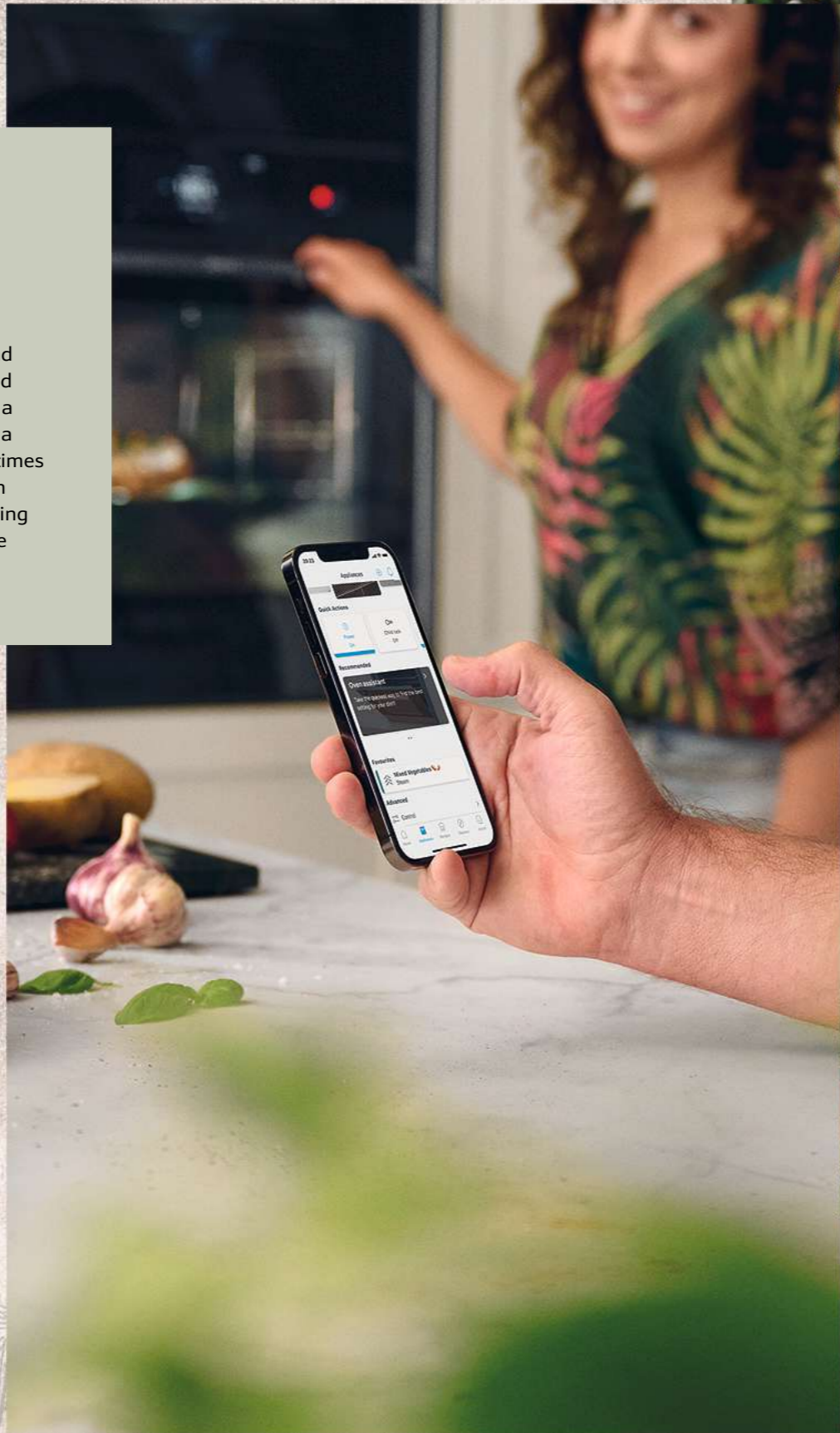
More time for your creativity and your guests.

Connections are important for NEFF and the connections that we make over food are our favourite ones. When we share a meal with family and friends, we share a connection around the table but sometimes we all need a little help. When you're in need of a little creative inspiration, having a partner in the kitchen can make those connections easier and stress free...



Perfect Partners

With food it's not always about the refined presentation – it's about the flavour, the joy and the pleasure those shared meals bring. Stay better connected with your guests with oven control and monitoring via smartphone, voice or smartwatch. No more dashing back and forth to the kitchen – enjoy the benefits of our technology partnerships for perfect cooking results every time!



Looking for Inspiration?

Want to find a new way to cook something or have a lot of seasonal ingredients? Spend some time with our recipe partners on Home Connect and be inspired by others!

kitchen stories
ANYONE CAN COOK



Got your hands full creating your next dish?

Achieving perfect results has never been easier with Oven Assistant – simply use the Home Connect app or ask Alexa to find the perfect setting for your dish.



Sharing Favourites

We all have our favourite recipes, the ones that connect us, make us feel nostalgic and the ones that keep us at the table until the last morsel has been enjoyed. Let your oven in on the secret – share oven settings for your favourite recipe for quick, convenient access and it'll be ready to go whenever you feel inspired!



Key Functions Guide

Cooking Functions



CIRCOTHERM®

The CircoTherm® Power Boost function speeds things up even more when cooking for short periods of time – just put the food in and start the oven.



CIRCO ROASTING

An ideal function for cooking meat and poultry for a rotisserie result where the fan and top element alternatively come on.



TOP/BOTTOM HEAT

Providing conventional cooking heat sources at the top and bottom of the oven. Heat travels to the centre of the oven by natural conduction. Ideal for baking pastries and scones.



CENTRE SURFACE GRILL

You can use just the centre section of the grill for smaller quantities.



LOW TEMPERATURE COOKING

A special setting for hob-sealed prime cuts of meat and poultry. Meat/poultry is placed in a pre-heated dish and transferred into the oven. The low temperature setting uses a fixed temperature to gently tenderise without overcooking, resulting in meat/poultry that is juicy and melts in the mouth.



BREAD BAKING

Bread baking temperature varies between 180°C and 220°C. Ideally suited to baking crusty bread with an open texture. Up to three levels of bread can be baked at the same time.



KEEP WARM

An ideal setting for keeping food warm without drying it out before serving. Typically set between 66°C to 100°C.



CIRCOTHERM® GENTLE

Optimised for gentler cooking and baking on one level. It's perfect for frozen or convenience foods, bread, cakes and meats. Available on all electronically controlled ovens.



CIRCOTHERM® INTENSIVE

Uses a combination of CircoTherm® and bottom heat, ideal for foods that need a crispy underside like pizzas or speciality breads. It can also be used for one stage pastry such as lemon meringue pie, eliminating the need for blind baking.



BOTTOM HEAT

Providing heat from the bottom of the oven, this method is ideal for pizza bases and pastry cases to create a crispy underside or for bain marie and casseroles.



FULL SURFACE GRILL

The grill element is situated in the oven roof. It is thermostatically controlled and will cycle on and off to maintain the required temperature.



DEFROST

The CircoTherm® fan circulates air through the oven to speed up defrosting times while retaining food colour and moisture. Ideal for delicate foods as well as fish and poultry.



DOUGH PROVING

This function provides a warm, moist environment which gives perfect conditions for proving any yeasted dough.



PLATE WARMING

Hot air is circulated at up to 65°C to safely warm plates and service dishes in preparation for dinner.



MEAT PROBE

The Multi Point Meat Probe measures the joint's heat at three points and the Single Point Meat Probe measures in one point, ensuring the right core temperature is reached, so you can take the roast out when it's ready.



Special Features



HOME CONNECT

Control your oven directly from a Smart Device App or Voice Command.



BAKING AND ROASTING ASSISTANT

Baking & Roasting Assistant helps you to Cook Meals with ease, by simply selecting pre-selected food items from the Bake & Roast Assist menu. Select your dish on the display you will find a suggested temperature & cooking time. For Baking, Roasting & Grilling the entire process gives perfect cooking results

Cooking Functions With Steam



VARIO STEAM®

Vario Steam® gives dishes just the right amount of moisture by adding steam at three intensity levels, for baking, roasting or just heating up. Foods come out with more intense flavour and an appetising appearance.



FULL STEAM

Make your favourite dishes healthier by locking in food's nutrients and flavour with our Full Steam function. It's easy to operate and also simple to refill the one litre water container – press a button to open the front panel, remove the container, fill it and you're ready to steam ahead.



SOUS VIDE

By cooking at very low temperatures (55°C – 60°C) Sous Vide seals in flavour and achieves beautiful uniform results. With the option to cook in selected single or compact steam ovens.



REHEAT

Reheat allows you to gently warm dishes again – and thanks to the moisture in the oven, they will look and taste freshly prepared.

Oven Cleaning Functions



PYROLYTIC SELF-CLEANING

Pyrolytic cleaning is a self-cleaning system for ovens. The process superheats the oven to approximately 485°C, which burns off any deposits from baking, roasting and grilling. This creates a perfectly clean oven and a residue of fine dust that's easily removed with a damp cloth.



OVEN CLEANING

A special electronic setting designed to keep EcoClean® surfaces inside the oven as clean as possible. Used on a regular basis, it can keep the oven's interior lining remarkably clean with minimal maintenance required.



BASE CLEAN

Base Clean helps clean the bottom of the oven by softening dirt with warm water. After the programme has finished you just have to wipe the base with a damp cloth.



EASYCLEAN®

For a lightly soiled oven, put approximately 400ml of water and a drop of washing-up liquid in the base pan and then select the EasyClean® programme. It softens baked-on residue so you can just wipe it down, for fast and uncomplicated oven cleaning.



DESCALING

All NEFF steam appliances contain a descaling programme which can be set according to the hardness of the water.



ECOCLEAN®

EcoClean® is a microfine ceramic bead coating on the oven's interior back, top or sides, depending on the model. It has a very large surface area, making it extremely absorbent. It absorbs fat droplets and keeps the inside of the oven clean.

AUTOMATIC SAFETY SWITCH OFF

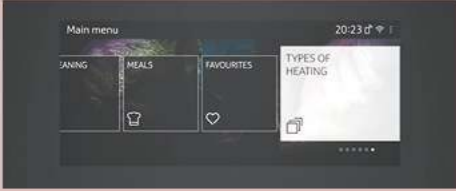














For electronic ovens only, this feature will automatically cut in if no changes to the settings on the appliance have been made in a long time, giving you complete peace of mind.

Temperature range	Automatic switch off after
Under 140°C	73 hours
141 – 200°C	6 hours
201 – 250°C	3 hours
251°C	2 hours

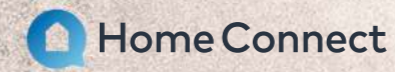
NEW N90 and N70 Oven Range – Launching 2023











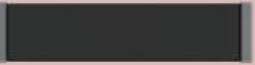
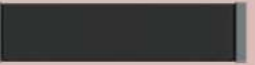
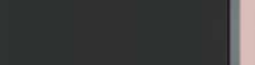
All single ovens have:
• Circo Therm®



DISPLAY TYPE	SLIDE & HIDE® SINGLE OVENS - WITH ROTATING HANDLE AND SOFT/OPEN CLOSE			
	WITH INTENSIVE STEAM	WITH VARIO STEAM®		
 FULL TOUCH 3 - 6.8" FULL TOUCH TFT DISPLAY	 B64FT53G0B • 22 Functions • Intensive Steam • Multipoint Temperature Probe	 B64VT73G0B • 20 Functions • Vario Steam® • Pyrolytic • Multipoint Temperature Probe	 B64CT73G0B • 14 Functions • Pyrolytic • Multipoint Temperature Probe	
 FULL TOUCH 2 - 4.1" FULL TOUCH TFT DISPLAY	 B64FS31G0B • 22 Functions • Intensive Steam	 B64VS71G0B • 20 Functions • Vario Steam®	 B64CS71G0B • 14 Functions • Pyrolytic	 B64CS51G0B • 14 Functions
 FULL TOUCH 1 – N70 3.7" FULL TOUCH TFT DISPLAY			 GRAPHITE GREY: B54CR71G0B STAINLESS STEEL: B54CR71NOB • 14 Functions • Pyrolytic	 GRAPHITE GREY: B54CR31G0B STAINLESS STEEL: B54CR31NOB • 14 Functions
DISPLAY TYPE	DROP DOWN DOOR			
 FULL TOUCH 1 – N70 3.7" FULL TOUCH TFT DISPLAY			 B24CR71G0B • 14 Functions • Pyrolytic	 B24CR31G0B • 14 Functions

All compact ovens have:
• Soft Open / Close door



COMPACT OVENS			COFFEE MACHINE	MICROWAVES		
WITH STEAM	WITH MICROWAVE			WITHOUT GRILL	WITH GRILL	DROP DOWN DOOR WITH GRILL
 C24FT53G0B • 22 Functions • Intensive Steam • Multipoint Temperature Probe	 C24MT73G0B • 20 Functions • Pyrolytic • Multipoint Temperature Probe		 CL4TT11G0 • 11 Functions • Left Hinged Door			
 C24FS31G0B • 22 Functions • Intensive Steam	 C24MS31G0B • 20 Functions	 C24MS71G0B • 20 Functions • Pyrolytic				
	 GRAPHITE GREY: C24MR21G0B STAINLESS STEEL: C24MR21NOB • 20 Functions			 LEFT HINGE: NL4WR21G1B RIGHT HINGE: NR4WR21G1B • Up to 900w • 5 power levels	 LEFT HINGE: NL4GR31G1B RIGHT HINGE: NR4GR31G1B • MW + grill • Up to 900w	 C24GR3XG1B • Up to 1000w • 9 power levels • MW + grill
DISPLAY TYPE	14CM DRAWERS		29CM DRAWERS			
	ACCESSORY DRAWER	WARMING DRAWER	WARMING DRAWER			
All drawers have: • Push / Pull opening • 6 temperature settings (excludes Accessory Drawer)	 N24ZA11G1	 GRAPHITE GREY: N24HA11G1B STAINLESS STEEL: N24HA11N1B	 GRAPHITE GREY N34HA11G1B STAINLESS STEEL: N34HA11N1B			

Create a sleek and stylish finish with Seamless Combinations

N90 and N70 Graphite Grey

Seamless Combination® strips – Z11SZ60G0
For 45cm Compact Oven with 14cm Warming Drawer



Seamless Combination® strips – Z11SZ80G0
For 60cm Single Slide & Hide® Oven with 29cm Warming Drawer



Seamless Combination® strips – Z11SZ90G0
For 60cm Single Slide & Hide® Oven with 45cm Compact Oven (special aperture applies)



Black Cosmetic Decor strip – Z13CV06S0
For use between 60cm single and 45cm compact ovens

Compact Oven – C24MT73G0B
Compact Pyrolytic Oven with Microwave and a Full Touch 3 display



Warming Drawer – N24HA11G1B
N70 / N90

Single Oven – B64VT73G0B
Slide & Hide® Single Oven with Pyrolytic, Vario Steam® and a Full Touch 3 display



Warming Drawer – N34HA11G1B
Warming Drawer N90 / N70

Compact Oven – C27CS22H0B
Compact Steam Oven with Intensive Steam and a Full Touch 3 display



Single Oven – B64FT53G0B
Slide & Hide® Single Oven with Intensive Steam and a Full Touch 3 display

Mix and match your appliances

Create your perfect kitchen by choosing your very own appliance combination and cooking features to suit your lifestyle. With our Seamless Combination® strips you can seamlessly combine our N90 and N70 Collection of single ovens and compact appliances to create a sleek and stylish finish.

N70 Stainless Steel

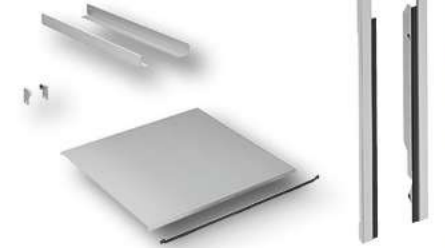
Seamless Combination® strips – Z11SZ60X0
For 45cm Compact Oven with 14cm Warming Drawer



Seamless Combination® strips – Z11SZ80X1
For 60cm Single Slide & Hide® Oven with 29cm Warming Drawer



Seamless Combination® strips – Z11SZ90X0
For 60cm Single Slide & Hide® Oven with 45cm Compact Oven (special aperture applies)



Compact Oven – C24MR21N0B
Compact Oven with Microwave and a Full Touch 1 display



Warming Drawer – N24HA11N1B
Warming Drawer N70 / N90

Single Oven – B54CR31N0B
Single Oven with a Full Touch 1 display



Warming Drawer – N34HA11N1B
Warming Drawer N90 / N70

Compact Oven – C24MR21N0B
Compact Oven with Microwave and a Full Touch 1 display



Single Oven – B54CR71N0B
Slide & Hide® Single Pyrolytic Oven with Full Touch 1 display

Enjoy more flexibility with NEFF N50



At NEFF, we are Open to Everything: designing appliances that inspire our customers to unleash their creativity in the kitchen. Whatever form that takes.

Being open means that we embrace innovation, creativity, and individuality in our products, as well as our customers. And our N50 Range is no exception.



Graphite Grey

Designed to match your style

The N50 Range now offers more choice with selected models in Single, Compact and Double ovens available in Graphite Grey or Stainless Steel finish.



Stainless Steel

Innovation at its core

Packed with innovative features, from the iconic **Slide & Hide® door**, to **Circo Therm®**, **Pyrolytic Self-Cleaning** and **Added Steam**, the N50 Range has everything you need to express your creativity.




















Precise control at your fingertips









It's also important to us that we embrace tradition, so each N50 appliance features precise, tactile manual controls. Plus, new to some models in the range is remote touch-control via the Home Connect app. Allowing for the ultimate convenient cooking experience.





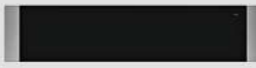
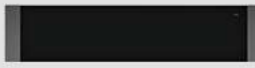
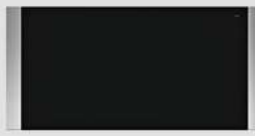
N50 Oven Range – Available now

DISPLAY TYPE	SLIDE & HIDE® SINGLE OVENS - WITH FIXED HANDLE*			
				
GRAPHITE GREY WITH LCD DISPLAY	B6ACH7HG0B • 8 Functions • Pyrolytic • Home Connect	B3AVH4HG0B • 8 Functions • Home Connect	B3ACE4HG0B • 7 Functions	
				
STAINLESS STEEL WITH LCD DISPLAY	B6ACH7HH0B • 8 Functions • Pyrolytic • Home Connect	B3AVH4HH0B • 8 Functions • Home Connect	B3ACE4HN0B • 7 Functions	B4ACF1AN0B • 6 Functions • *Rotating Handle

DISPLAY TYPE	DOUBLE OVEN RANGE			
				
STAINLESS STEEL WITH LCD DISPLAY	U2ACM7HH0B • 8/4 Functions • Pyrolytic • Home Connect	U1ACI5HN0B • 7/4 Functions	U1ACE5HN0B • 6/4 Functions	U1ACE2HN0B • 5/4 Functions
				
GRAPHITE GREY WITH LCD DISPLAY	U2ACM7HG0B • 8/4 Functions • Pyrolytic • Home Connect			U1ACE2HG0B • 5/4 Functions

OVENS WITH DROP DOWN DOOR	COMPACT OVENS	MICROWAVES			
					
	C1AMG84G0B • 3 Functions • Microwave			HLAWD23G0B • 5 Functions	
					
B2ACH7HH0B • 8 Functions • Pyrolytic • Home Connect	B1ACE4HN0B • 6 Functions	C1AMG84N0B • 3 Functions • Microwave	HLAGD53N0B • 5 Functions	HLAWD53N0B • 5 Functions	HLAWD23N0B • 5 Functions

BUILT UNDER DOUBLE OVEN RANGE	
	
J1ACE4HN0B • 22 Functions • Intensive Steam	J1ACE2HN0B • 20 Functions • Vario Steam®

DISPLAY TYPE	14CM DRAWERS		29CM DRAWERS
	STAINLESS STEEL	GRAPHITE GREY	STAINLESS STEEL
All drawers have: • Push / Pull opening • 6 temperature settings (excludes Accessory Drawer)			
	N1AHA01N0B	N1AHA01G0B	N1AHA02N0B

Core Range Ovens - NEW N90 / N70 Graphite Grey Trim

N90 - FULL TOUCH 3 - 6.8" FULL TOUCH TFT DISPLAY.

Collection	Display Size	Oven Description	No of Functions	Steam	Model Code
N90	Full Touch 3	Slide & Hide® Single Oven with Intensive Steam	22	Intensive	B64FT53G0B
N90	Full Touch 3	Slide & Hide® Single Pyrolytic Oven with Vario Steam®	20	Vario Steam®	B64VT73G0B
N90	Full Touch 3	Slide & Hide® Single Pyrolytic Oven	14		B64CT73G0B
N90	Full Touch 3	Compact Steam Oven with Intensive Steam	22	Intensive	C24FT53G0B
N90	Full Touch 3	Compact Pyrolytic Oven with Microwave	20		C24MT73G0B
N90	Full Touch 3	Compact 45cm Coffee Machine	11		CL4TT11G0

N90 - FULL TOUCH 2 - 4.1" FULL TOUCH TFT DISPLAY.

Collection	Display Size	Oven Description	No of Functions	Steam	Model Code
N90	Full Touch 2	Slide & Hide® Single Oven with Intensive Steam	22	Intensive	B64FS31G0B
N90	Full Touch 2	Slide & Hide® Single Pyrolytic Oven with Vario Steam®	20	Vario Steam®	B64VS71G0B
N90	Full Touch 2	Slide & Hide® Single Pyrolytic Oven	14		B64CS71G0B
N90	Full Touch 2	Slide & Hide® Single Oven	14		B64CS51G0B
N90	Full Touch 2	Compact Steam Oven	22	Intensive	C24FS31G0B
N90	Full Touch 2	Compact Oven with Microwave	20		C24MS31G0B
N90	Full Touch 2	Compact Pyrolytic Oven with Microwave	20		C24MS71G0B

N70 - FULL TOUCH 1 - 3.7" FULL TOUCH TFT DISPLAY.

Collection	Display Size	Oven Description	No of Functions	Steam	Model Code
N70	Full Touch 1	Slide & Hide® Single Pyrolytic Oven	14		B54CR71G0B
N70	Full Touch 1	Slide & Hide® Single Oven	14		B54CR31G0B
N70	Full Touch 1	Single Pyrolytic Oven	14		B24CR71G0B
N70	Full Touch 1	Single Oven	14		B24CR31G0B
N70	Full Touch 1	Compact Oven with Microwave	20		C24MR21G0B
N70	Full Touch 1	Compact Oven with Microwave	20		C24GR3XG1B
N70	Full Touch 1	Microwave with Grill - Up to 900W - Left Hinged Door			NL4GR31G1B
N70	Full Touch 1	Microwave with Grill - Up to 900W - Right Hinged Door			NR4GR31G1B
N70	Full Touch 1	Microwave Only - Up to 900W, 21 Litre - Left Hinged Door			NL4WR21G1B
N70	Full Touch 1	Microwave Only - Up to 900W, 21 Litre - Right Hinged Door			NR4WR21G1B

N90/N70 DRAWER RANGE

Collection	Drawer Range	Model Code
N90/70	29cm Warming Drawer	N34HA11G1B
N90/70	14cm Warming Drawer	N24HA11G1B
N90/70	14cm Accessory Drawer	N24ZA11G1

CORE RANGE SEAMLESS COMBINATION STRIPS - GRAPHITE GREY

Collection	Drawer Range	Model Code
N90/70	2 x 105cm Side Strips, Metal Platform & Brackets to install an N90 or an N70 single oven with a 45cm compact oven in column. (Single aperture required)	Z11SZ90G0
N90/70	2 x 90cm Side Strips to install an N90 or an N70 single oven with a 29cm warming drawer in column.	Z11SZ80G0
N90/70	2 x 60cm Side Strips to install an N90 or an N70 compact oven with a 14cm drawer in column.	Z11SZ60G0
N90/70/50	Black Cosmetic Decor strip for use between 60cm single and 45cm compact ovens	Z13CV06S0

Core Range Ovens - NEW N70 Stainless Steel Trim

N70 - FULL TOUCH 1 - 3.7" FULL TOUCH TFT DISPLAY.

Collection	Display Size	Oven Description	No of Functions	Steam	Model Code
N70	Full Touch 1	Slide & Hide® Single Pyrolytic Oven	14		B54CR71N0B
N70	Full Touch 1	Slide & Hide® Single Oven	14		B54CR31N0B
N70	Full Touch 1	Compact Oven with Microwave	20		C24MR21N0B

N70 DRAWER RANGE

Collection	Drawer Range	Model Code
N70	29cm Warming Drawer	N34HA11N1B
N70	14 cm Warming Drawer	N24HA11N1B

CORE RANGE SEAMLESS COMBINATION STRIPS - STAINLESS STEEL

Collection	Drawer Range	Model Code
N70	2 x 105cm Side Strips, Metal Platform & Brackets to install an N90 or an N70 single oven with a 45cm Compact oven in column. (Single aperture required)	Z11SZ80X1
N70	2 x 90cm Side Strips to install an N90 or an N70 single oven with a 29cm warming drawer in column.	Z11SZ90X0
N70	2 x 60cm Side Strips to install an N90 or an N70 compact oven with a 14cm drawer in column.	Z11SZ60X0

Core Range Ovens - N50

NEFF N50 OVENS WITH SLIDE & HIDE® DOOR						
Collection	Display Size	Oven Description	No of Functions	Colour	Home Connect	Model Code
N50	LCD Display	Slide & Hide® Single Pyrolytic Ovens	8	Graphite Grey	Yes	B6ACH7HG0B
N50	LCD Display	Slide & Hide® Single Pyrolytic Ovens	8	Stainless Steel	Yes	B6ACH7HH0B
N50	LCD Display	Slide & Hide® Single Ovens	8	Graphite Grey	Yes	B3AVH4HG0B
N50	LCD Display	Slide & Hide® Single Ovens	8	Stainless Steel	Yes	B3AVH4HH0B
N50	LCD Display	Slide & Hide® Single Ovens	7	Graphite Grey		B3ACE4HG0B
N50	LCD Display	Slide & Hide® Single Ovens	7	Stainless Steel		B3ACE4HN0B
N50	LCD Display	Slide & Hide® Single Ovens	6	Stainless Steel		B4ACF1AN0B
NEFF N50 OVENS WITH DOOR						
Collection	Display Size	Oven Description	No of Functions	Colour	Home Connect	Model Code
N50	LCD Display	Single Pyrolytic Ovens	8	Stainless Steel	Yes	B2ACH7HH0B
N50	LCD Display	Single Ovens	6	Stainless Steel		B1ACE4HN0B
NEFF N50 COMPACT OVENS & MICROWAVES						
Collection	Display Size	Oven description	No of Functions	Colour	Home Connect	Model Code
N50	LCD Display	Compact 45cm Microwave Combination Ovens	3	Graphite Grey		C1AMG84G0B
N50	LCD Display	Compact 45cm Microwave Combination Ovens	3	Stainless Steel		C1AMG84N0B
N50	White LCD Display	Microwave Ovens	5	Stainless Steel		HLAGD53N0B
N50	White LCD Display	Microwave Ovens	5	Stainless Steel		HLAWD53N0B
N50	White LCD Display	Microwave Ovens	5	Graphite Grey		HLAWD23G0B
N50	White LCD Display	Microwave Ovens	5	Stainless Steel		HLAWD23N0B
N50 DOUBLE OVEN RANGE						
Collection	Display Size	Oven Description	No of Functions	Colour	Home Connect	Model Code
N50	LCD Display	Double Ovens Pyrolytic	8/4	Graphite Grey	Yes	U2ACM7HG0B
N50	LCD Display	Double Ovens Pyrolytic	8/4	Stainless Steel	Yes	U2ACM7HH0B
N50	LCD Display	Double Ovens	7/4	Stainless Steel		U1ACI5HN0B
N50	LCD Display	Double Ovens	6/4	Stainless Steel		U1ACE5HN0B
N50	LCD Display	Double Ovens	5/4	Graphite Grey		U1ACE2HG0B
N50	LCD Display	Double Ovens	5/4	Stainless Steel		U1ACE2HN0B
N50 BUILT UNDER DOUBLE OVEN RANGE						
Collection	Display Size	Oven Description	No of Functions	Colour	Home Connect	Model Code
N50	LCD Display	Built under Double Ovens	7/4	Stainless Steel		J1ACE4HN0B
N50	LCD Display	Built under Double Ovens	6/4	Stainless Steel		J1ACE2HN0B
N50 DRAWER RANGE						
Collection	Drawer Range				Colour	Model Code
N50	29cm Warming Drawer				Stainless Steel	N1AHA02N0B
N50	14cm Warming Drawer				Graphite Grey	N1AHA01G0B
N50	14cm Warming Drawer				Stainless Steel	N1AHA01N0B

Core Range Single Ovens

- ALL N90 & N70 models feature **New Touch Screen.**



- All N90 & N70 models feature **Home Connect.**



B64FT53G0B

B64FS31G0B

B64VT73G0B

CORE	N 90	N 90	N90
MODELS	COMBI STEAM		PYROLYTIC WITH VARIO STEAM
GRAPHITE GREY	B64FT53G0B	B64FS31G0B	B64VT73G0B
OPERATION			
Premium Full Touch TFT Display Type	Full Touch 3	Full Touch 2	Full Touch 3
Screen Size	6.8"	4.1"	6.8"
CONTROLS			
Electronic control	●	●	●
Temperature proposal with display	●	●	●
Heating up indicator / Residual heat indicator	●/●	●/●	●/●
Control panel lock / Safety switch off	●/●	●/●	●/●
Automatic programmes	●	●	●
SPECIAL FEATURES			
Door type	Slide & Hide® With Rotating Handle, SoftClose	Slide & Hide® With Rotating Handle, SoftClose	Slide & Hide® With Rotating Handle, SoftClose
Soft open door	●	●	●
Oven Assistant with Voice Control	●	●	●
Home Connect	●	●	●
Telescopic Rail	Available as an accessory	Available as an accessory	Available as an accessory
Multi Point Temperature Probe	●	●	●
Single Point Meat Probe	●	●	●
Rapid heat up	●	●	●
Baking and roasting assistant	●	●	●
FEATURES			
Electronic clock / timer	White TFT Display	White TFT Display	White TFT Display
Full glass inner door	●	●	●
Glazed door (Quadruple / Triple/Double)	Triple (CoolTouch door)	Triple (CoolTouch door)	Quadruple (CoolTouch door)
Internal lighting	LED Light	LED Light	LED Light
Water tank empty indicator	●	●	●
COOKING FUNCTIONS			
FullSteam 100% / Intensive Steam	22	23	20
Circo Therm® with Added Steam	●	●	●
Dough Proving with Added Steam	●	●	●
Keep Warm with Added Steam / Reheat with Added Steam	●/●	●/●	●/●
Sous-vide cooking	●	●	●
Circo Therm®	●	●	●
Circo Therm® Gentle / Top / bottom heat Gentle	●/●/●	●/●/●	●/●/●
Bottom heat	●	●	●
Conventional heat / Conventional heat gentle	●/●	●/●	●/●
Low temperature cooking / Pre-heating	●/●	●/●	●/●
Circo Roasting / Hot air grilling	●/●	●/●	●/●
Full surface grill / Centre Surface Grill	●/●	●/●	●/●
Bread Baking Function / Pizza setting / Plate warming	●/●/●	●/●/●	●/●/●
Defrost / Dough Proving / Keep warm	●/●/●	●/●/●	/●/●
OVEN CLEANING			
Pyrolytic cleaning	●	●	●
Easy Clean / Base Clean	●/●	●/●	●/●
Eco Clean Surface	●	●	●
Cleaning setting	●	●	●
Descaling programme	●	●	●
STANDARD ACCESSORIES			
Universal pan	1	1	1
Steam Container		3	
Combination Grid	2	2	2
ENERGY EFFICIENCY¹			
Energy efficiency class	A+	A+	A+
Energy consumption per cycle CircoTherm	0.69 kWh	0.69 kWh	0.69 kWh
Energy consumption per cycle conventional	0.87 kWh	0.87 kWh	0.87 kWh
Oven capacity	71 L	71 L	71 L
Time to cook standard load	44 mins	44 mins	44 mins
Largest baking sheet area	1290 cm ²	1290 cm ²	1290 cm ²



B64VS71G0B

B64CT73G0B

B64CS71G0B

B64CS51G0B

N 90	N 90	N 90	N 90
PYROLYTIC WITH VARIO STEAM	PYROLYTIC		STANDARD
B64VS71G0B	B64CT73G0B	B64CS71G0B	B64CS51G0B
OPERATION			
Full Touch 2	Full Touch 3	Full Touch 2	Full Touch 2
4.1"	6.8"	4.1"	4.1"
CONTROLS			
●	●	●	●
●	●	●	●
●/●	●/●	●/●	●/●
●/●	●/●	●/●	●/●
●	●	●	●
SPECIAL FEATURES			
Slide & Hide® With Rotating Handle, SoftClose	Slide & Hide® With Rotating Handle, SoftClose	Slide & Hide® With Rotating Handle, SoftClose	Slide & Hide® With Rotating Handle, SoftClose
●	●	●	●
●	●	●	●
●	●	●	●
Available as an accessory	Available as an accessory	Available as an accessory	Available as an accessory
●	●	●	●
●	●	●	●
●	●	●	●
●	●	●	●
●	●	●	●
FEATURES			
White TFT Display	White TFT Display	White TFT Display	White TFT Display
●	●	●	●
Quadruple (CoolTouch door)	Quadruple (CoolTouch door)	Quadruple (CoolTouch door)	Triple (CoolTouch door)
LED Light	LED Light	LED Light	LED Light
●	●	●	●
COOKING FUNCTIONS			
20	14	14	14
●	●	●	●
●	●	●	●
●	●	●	●
●	●	●	●
●/●/●	●/●/●	●/●/●	●/●/●
●	●	●	●
●/●	●/●	●/●	●/●
●/●	●/●	●/●	●/●
●/●	●/●	●/●	●/●
●/●/●	●/●/●	●/●/●	●/●/●
/●	/●	/●/●	/●/●
OVEN CLEANING			
●	●	●	●
●/●	●/●	●/●	●/●
●	●	●	●
●	●	●	●
STANDARD ACCESSORIES			
1	1	1	1
2	2	2	2
ENERGY EFFICIENCY¹			
A+	A+	A+	A+
0.69 kWh	0.69 kWh	0.69 kWh	0.69 kWh
0.87 kWh	0.87 kWh	0.87 kWh	0.87 kWh
71 L	71 L	71 L	71 L
44 mins	44 mins	44 mins	44 mins
1290 cm ²	1290 cm ²	1290 cm ²	1290 cm ²

¹ Measured according to the EN50304, 65/2014. ² For further information on inverter technology, please go to www.neffhome.com/uk. ³ For Inverter models, the maximum setting offers a time limited boost option for heating liquids. To ensure optimal results and to protect the appliance, the microwave power output is reduced in stages over the first few minutes down to the next power level (600W). After a cooling period, the microwave boost option will be available once more.

Core Range Single Ovens



B54CR71G0B



B54CR71N0B



B24CR71G0B



B54CR31G0B



B54CR31N0B



B24CR31G0B

CORE	N 70	N 70
MODELS	PYROLYTIC	
GRAPHITE GREY	B54CR71G0B	
STEEL		B54CR71N0B
OPERATION		
Premium Full Touch TFT Display Type	Full Touch 1	Full Touch 1
Screen Size	3.7"	3.7"
CONTROLS		
Electronic control	●	●
Temperature proposal with display	●	●
Heating up indicator / Residual heat indicator	●/●	●/●
Control panel lock / Safety switch off	●/●	●/●
Automatic programmes	●	●
SPECIAL FEATURES		
Door type	Slide & Hide® With Rotating Handle, SoftClose	Slide & Hide® With Rotating Handle, SoftClose
Soft open door	●	●
Oven Assistant with Voice Control	●	●
Home Connect	●	●
Telescopic Rail	Available as an accessory	Available as an accessory
Multi Point Temperature Probe		
Single Point Meat Probe		
Rapid heat up	●	●
Baking and roasting assistant	●	●
FEATURES		
Electronic clock / timer	White TFT Display	White TFT Display
Full glass inner door	●	●
Glazed door (Quadruple / Triple / Double)	Quadruple (CoolTouch door)	Quadruple (CoolTouch door)
Internal lighting	LED Light	LED Light
Water tank empty indicator		
COOKING FUNCTIONS	14	14
Circo Therm®	●	●
Circo Therm® Gentle / Top / bottom heat Gentle	●/●/●	●/●/●
Bottom heat	●	●
Conventional heat / Conventional heat gentle	●/●	●/●
Low temperature cooking / Pre-heating	●/●	●/●
Circo Roasting / Hot air grilling	/●	/●
Full surface grill / Centre Surface Grill	●/●	●/●
Bread Baking Function / Pizza setting / Plate warming	/●/●	/●/●
Defrost / Dough Proving / Keep warm	/●/●	/●/●
OVEN CLEANING		
Pyrolytic cleaning	●	●
Easy Clean / Base Clean	●/●	●/●
Eco Clean Surface		
Cleaning setting	●	●
Descaling programme		
STANDARD ACCESSORIES		
Universal pan	1	1
Steam Container		
Combination Grid	2	2
ENERGY EFFICIENCY:		
Energy efficiency class	A+	A+
Energy consumption per cycle CircoTherm kWh	0.69	0.69
Energy consumption per cycle conventional kWh	0.87	0.87
Oven capacity L	71	71
Time to cook standard load mins	44	44
Largest baking sheet area cm²	1290	1290

N 70	N 70	N 70	N 70
PYROLYTIC		STANDARD	
B24CR71G0B	B54CR31G0B	B54CR31N0B	B24CR31G0B
OPERATION			
Premium Full Touch TFT Display Type	Full Touch 1	Full Touch 1	Full Touch 1
Screen Size	3.7"	3.7"	3.7"
CONTROLS			
Electronic control	●	●	●
Temperature proposal with display	●	●	●
Heating up indicator / Residual heat indicator	●/●	●/●	●/●
Control panel lock / Safety switch off	●/●	●/●	●/●
Automatic programmes	●	●	●
SPECIAL FEATURES			
Door type	Slide & Hide® With Rotating Handle, SoftClose	Slide & Hide® With Rotating Handle, SoftClose	Slide & Hide® With Rotating Handle, SoftClose
Soft open door	●	●	●
Oven Assistant with Voice Control	●	●	●
Home Connect	●	●	●
Telescopic Rail	Available as an accessory	Available as an accessory	Available as an accessory
Multi Point Temperature Probe			
Single Point Meat Probe			
Rapid heat up	●	●	●
Baking and roasting assistant	●	●	●
FEATURES			
Electronic clock / timer	White TFT Display	White TFT Display	White TFT Display
Full glass inner door	●	●	●
Glazed door (Quadruple / Triple / Double)	Quadruple (CoolTouch door)	Triple (CoolTouch door)	Quadruple (CoolTouch door)
Internal lighting	LED Light	LED Light	LED Light
Water tank empty indicator			
COOKING FUNCTIONS	14	14	14
Circo Therm®	●	●	●
Circo Therm® Gentle / Top / bottom heat Gentle	●/●/●	●/●/●	●/●/●
Bottom heat	●	●	●
Conventional heat / Conventional heat gentle	●/●	●/●	●/●
Low temperature cooking / Pre-heating	●/●	●/●	●/●
Circo Roasting / Hot air grilling	/●	/●	/●
Full surface grill / Centre Surface Grill	●/●	●/●	●/●
Bread Baking Function / Pizza setting / Plate warming	/●/●	/●/●	/●/●
Defrost / Dough Proving / Keep warm	/●/●	/●/●	/●/●
OVEN CLEANING			
Pyrolytic cleaning	●	●	●
Easy Clean / Base Clean	●/●	●/●	●/●
Eco Clean Surface			
Cleaning setting	●	●	●
Descaling programme			
STANDARD ACCESSORIES			
Universal pan	1	1	1
Steam Container			
Combination Grid	2	2	2
ENERGY EFFICIENCY:			
Energy efficiency class	A+	A+	A+
Energy consumption per cycle CircoTherm kWh	0.69	0.69	0.69
Energy consumption per cycle conventional kWh	0.87	0.87	0.87
Oven capacity L	71	71	71
Time to cook standard load mins	44	44	44
Largest baking sheet area cm²	1290	1290	1290

THE NEFF OVEN COLLECTIONS

HOBS

VENTILATION

REFRIGERATION

DISHWASHING

LAUNDRY

Core Range Single Ovens



B3AVH4HG0B
Home Connect



B3AVH4HH0B
Home Connect



B2ACH7HH0B
Home Connect



B1ACE4HN0B

CORE MODELS	N 50	ADDED STEAM	N 50
GRAPHITE GREY	B3AVH4HG0B		
STEEL			B3AVH4HH0B
OPERATION			
Neff Design Retractable controls	•		•
CONTROLS			
Electronic control			
Temperature proposal with display			
Heating up indicator / Residual heat indicator	• /		• /
Control panel lock / Safety switch off	• /		• /
Automatic programmes	15		15
SPECIAL FEATURES			
Door type	Slide&Hide® with Fixed Handle		Slide&Hide® with Fixed Handle
Soft open door			
Oven Assistant with Voice Control			
Home Connect	•		•
Telescopic Rail	1 x Clip rail		1 x Clip rail
Multi Point Temperature Probe			
Single Point Meat Probe			
Rapid heat up			
Baking and roasting assistant			
FEATURES			
Electronic clock / timer	White LCD Display		White LCD Display
Full glass inner door	•		•
Glazed door (Quadruple / Triple / Double)	Triple		Triple
Internal lighting	1 x 25W Halogen		1 x 25W Halogen
Water tank empty indicator			
COOKING FUNCTIONS			
	14		14
CircoTherm®	3D		3D
CircoTherm® Gentle / Top/bottom heat Gentle			
Top/bottom heat / Bottom heat			
Circo Roasting			
Full surface grill/ Centre Surface Grill			
Bread baking			
Low temperature cooking			
Pizza setting/ CircoTherm® Intensive			
Defrost			
Dough Proving			
Plate warming/ Keep Warm			
OVEN CLEANING			
Pyrolytic cleaning			
Easy Clean / Base Clean	• /		• /
Eco Clean Surface	back		back
Cleaning setting			
Descaling programme			
STANDARD ACCESSORIES			
Universal pan	1		1
Steam Container			
Wire shelf	2		2
ENERGY EFFICIENCY:			
Energy efficiency class	A		A
Energy consumption per cycle CircoTherm	kWh 0.81		kWh 0.81
Energy consumption per cycle conventional	kWh 1.04		kWh 1.04
Oven capacity	L 71		L 71
Time to cook standard load	mins 58		mins 58
Largest baking sheet area	cm² 1290		cm² 1290

CORE MODELS	N 50	STANDARD	N 50
	B2ACH7HH0B		B1ACE4HN0B
OPERATION			
Neff Design Retractable controls	•		•
CONTROLS			
Electronic control	•		
Temperature proposal with display	• / •		
Heating up indicator / Residual heat indicator	• / •		• /
Control panel lock / Safety switch off	• / •		• /
Automatic programmes			
SPECIAL FEATURES			
Door type	Drop Down Door		Drop Down Door
Soft open door			
Oven Assistant with Voice Control			
Home Connect	•		
Telescopic Rail	1 x Clip rail		1 x Clip rail
Multi Point Temperature Probe			
Single Point Meat Probe			
Rapid heat up			
Baking and roasting assistant			
FEATURES			
Electronic clock / timer	White LCD Display		White LCD Display
Full glass inner door	•		•
Glazed door (Quadruple / Triple / Double)	Quadruple		Double
Internal lighting	1 x 25W Halogen		1 x 25W Halogen
Water tank empty indicator			
COOKING FUNCTIONS			
	14		14
CircoTherm®	3D		3D
CircoTherm® Gentle / Top/bottom heat Gentle	• /		• /
Top/bottom heat / Bottom heat	• / •		• /
Circo Roasting	•		•
Full surface grill/ Centre Surface Grill	• /		• /
Bread baking	•		
Low temperature cooking			
Pizza setting/ CircoTherm® Intensive	•		•
Defrost			
Dough Proving			
Plate warming/ Keep Warm			
OVEN CLEANING			
Pyrolytic cleaning	•		
Easy Clean / Base Clean	• /		• /
Eco Clean Surface			back
Cleaning setting	•		
Descaling programme			
STANDARD ACCESSORIES			
Universal pan	1		1
Steam Container			
Wire shelf	2		2
ENERGY EFFICIENCY:			
Energy efficiency class	A		A
Energy consumption per cycle CircoTherm	kWh 0.81		kWh 0.81
Energy consumption per cycle conventional	kWh 0.99		kWh 0.97
Oven capacity	L 71		L 71
Time to cook standard load	mins 50		mins 44
Largest baking sheet area	cm² 1290		cm² 1290

1 Measured according to the EN50304, 65/2014. 2 For further information on inverter technology, please go to www.neffhome.com/uk/. 3 For Inverter models, the maximum setting offers a time limited boost option for heating liquids. To ensure optimal results and to protect the appliance, the microwave power output is reduced in stages over the first few minutes down to the next power level (600W). After a cooling period, the microwave boost option will be available once more.

Core Range Compact Ovens



C24FT53G0B



C24FS31G0B



C24MT73G0B



C24MS71G0B



C24MS31G0B

CORE	N 90	N 90
MODELS	STEAM	
GRAPHITE GREY	C24FT53G0B	C24FS31G0B
OPERATION		
Premium Full Touch TFT Display Type	Full Touch 3	Full Touch 3
Screen Size	6.8"	4.1"
CONTROLS		
Electronic control	●	●
Temperature proposal with display	●	●
Heating up indicator / Residual heat indicator	●/●	●/●
Control panel lock / Safety switch off	●/●	●/●
Automatic programmes	●	●
SPECIAL FEATURES		
Door type	Drop Down, soft close	Drop Down, soft close
Soft open door	●	●
Oven Assistant with Voice Control	●	●
Home Connect	●	●
Telescopic Rail	Available as an accessory	Available as an accessory
Multi Point Temperature Probe	●	●
Single Point Meat Probe	●	●
Rapid heat up	●	●
Baking and roasting assistant	●	●
FEATURES		
Electronic clock / timer	●	●
Full glass inner door	●	●
Glazed door (Quadruple / Triple/Double)	Triple (CoolTouch door)	Triple (CoolTouch door)
Internal lighting	LED Light	LED Light
Water tank empty indicator	●	●
COOKING FUNCTIONS		
FullSteam 100% / Intensive Steam	22	22
Circo Therm® with Added Steam	●	●
Dough Proving with Added Steam	●	●
Keep Warm with Added Steam	●	●
Reheat with Added Steam	●	●
Sous-vide cooking	●	●
Circo Therm®	●	●
Circo Therm® Gentle / Top / bottom heat Gentle	●/●/●	●/●/●
Bottom heat	●/●	●/●
Conventional heat / Conventional heat gentle	●/●	●/●
Low temperature cooking / Pre-heating	●/●	●/●
Circo Roasting / Hot air grilling	●/●	●/●
Full surface grill / Centre Surface Grill	●/●	●/●
Bread Baking Function / Pizza setting / Dough proving	●/●/●	●/●/●
Defrost / Plate warming / Keep warm	●/●/●	●/●/●
Microwave Power Settings	W	
Microwave Cooking Programmes		
OVEN CLEANING		
Pyrolytic cleaning		
Easy Clean / Base Clean	●/●	●/●
Eco Clean Surface	●	●
Cleaning setting	●	●
Descaling programme	●	●
ENERGY EFFICIENCY¹		
Energy efficiency class	A+	A+
Energy consumption per cycle CircoTherm	kWh 0.61	kWh 0.61
Energy consumption per cycle conventional	kWh 0.73	kWh 0.73
Oven capacity	L 47	L 47
Time to cook standard load	mins 40.5	mins 40.5
Largest baking sheet area	cm ² 1290	cm ² 1290

N 90	N 90	N 90
MICROWAVE WITH PYROLYTIC CLEANING		WITH MICROWAVE
C24MT73G0B	C24MS71G0B	C24MS31G0B
OPERATION		
Full Touch 3	Full Touch 3	Full Touch 3
6.8"	4.1"	4.1"
CONTROLS		
●	●	●
●	●	●
●/●	●/●	●/●
●/●	●/●	●/●
●	●	●
SPECIAL FEATURES		
Drop Down, soft close	Drop Down, soft close	Drop Down, soft close
●	●	●
●	●	●
●	●	●
Available as an accessory	Available as an accessory	1 x Clip Rail, Full Extn Stop Function
●	●	●
●	●	●
●	●	●
FEATURES		
●	●	●
●	●	●
Quadruple (CoolTouch door)	Quadruple (CoolTouch door)	Triple (CoolTouch door)
LED Light	LED Light	LED Light
COOKING FUNCTIONS		
20	20	20
●	●	●
●	●	●
●/●/●	●/●/●	●/●/●
●/●	●/●	●/●
●/●	●/●	●/●
●/●	●/●	●/●
●/●	●/●	●/●
●/●	●/●	●/●
●/●	●/●	●/●
●/●	●/●	●/●
●/●/●	●/●/●	●/●/●
●/●/●	●/●/●	●/●/●
90, 180, 360, 600, boost	90, 180, 360, 600, boost	90, 180, 360, 600, boost
●	●	●
●	●	●
●/●	●/●	●/●
●	●	●
OVEN CLEANING		
●	●	●
●/●	●/●	●/●
ENERGY EFFICIENCY¹		
45	45	45
1290	1290	1290

1 Measured according to the EN50304, 65/2014. 2 For further information on inverter technology, please go to www.neffhome.com/uk. 3 For Inverter models, the maximum setting offers a time limited boost option for heating liquids. To ensure optimal results and to protect the appliance, the microwave power output is reduced in stages over the first few minutes down to the next power level (600W). After a cooling period, the microwave boost option will be available once more.

Core Range Compact Ovens with Microwave



C24GR3XG1B

C24MR21N0B

C24MR21G0B

CORE MODELS	N 70 WITH GRILL C24GR3XG1B	N 70 WITH MICROWAVE C24MR21N0B	N 70 WITH MICROWAVE C24MR21G0B
GRAPHITE GREY	C24GR3XG1B	C24MR21N0B	C24MR21G0B
STEEL	C24MR21N0B	C24MR21N0B	C24MR21G0B
OPERATION			
Premium Full Touch TFT Display Type	Full Touch 1	Full Touch 1	Full Touch 1
Screen Size	3.7"	3.7"	3.7"
Neff Design Retractable controls			
CONTROLS			
Electronic control	●	●	●
Temperature proposal with display	●	●	●
Heating up indicator / Residual heat indicator	●/●	●/●	●/●
Control panel lock / Safety switch off	●/●	●/●	●/●
Automatic programmes	●	●	●
SPECIAL FEATURES			
Door type	Drop Down, soft close	Drop Down, soft close	Drop Down, soft close
Soft open door		●	●
Oven Assistant with Voice Control		●	●
Home Connect		●	●
Telescopic Rail		Available as an accessory	Available as an accessory
Multi Point Temperature Probe			
Single Point Meat Probe			
Rapid heat up	●	●	●
Baking and roasting assistant		●	●
FEATURES			
Electronic clock / timer	●	●	●
Full glass inner door		●	●
Glazed door (Quadruple / Triple/Double)	Triple (CoolTouch door)	Triple (CoolTouch door)	Triple (CoolTouch door)
Internal lighting	LED Light	LED Light	LED Light
Water tank empty indicator			
COOKING FUNCTIONS			
FullSteam 100% / Intensive Steam	2 heating mode	1 heating mode	1 heating mode
Circo Therm® with Added Steam			
Dough Proving with Added Steam			
Keep Warm with Added Steam			
Reheat with Added Steam			
Sous-vide cooking			
Circo Therm®			
Circo Therm® Gentle / Top / bottom heat Gentle			
Bottom heat			
Conventional heat / Conventional heat gentle			
Low temperature cooking / Pre-heating			
Circo Roasting / Hot air grilling			
Full surface grill / Centre Surface Grill	●/		
Bread Baking Function / Pizza setting / Dough proving			
Defrost / Plate warming / Keep warm			
Microwave Power Settings	W 90, 180, 360, 600, 1000	90, 180, 360, 600, boost	90, 180, 360, 600, boost
Microwave Cooking Programmes	3 Defrost / 4 Cooking	●	●
OVEN CLEANING			
Pyrolytic cleaning			
Easy Clean / Base Clean	●/●	●/●	●/●
Eco Clean Surface			
Cleaning setting	●	●	●
Descaling programme			
ENERGY EFFICIENCY¹			
Energy efficiency class			
Energy consumption per cycle CircoTherm	kWh		
Energy consumption per cycle conventional	kWh		
Oven capacity	L 36	45	45
Time to cook standard load	mins		
Largest baking sheet area	cm ²	1290	1290



C1AMG84G0B



C1AMG84N0B

CORE MODELS	N 50 WITH GRILL C1AMG84G0B	N 50 WITH MICROWAVE C1AMG84N0B
GRAPHITE GREY	C1AMG84G0B	C1AMG84N0B
STEEL	C1AMG84N0B	C1AMG84N0B
OPERATION		
Premium Full Touch TFT Display Type		
Screen Size		
NEFF Design Retractable controls	●	●
CONTROLS		
Electronic control	●	●
Temperature proposal with Display		
Heating up indicator/ Safety switch off	/●	/●
Automatic programmes	15	15
SPECIAL FEATURES		
Home Connect		
Door Type	Drop Down Door	Drop Down Door
Soft close / open door		
Telescopic Rail		
MultiPoint Temperature Probe		
Baking and roasting assistant		
FEATURES		
Display Type	White LCD display	White LCD display
Full glass inner door		
Glazed door (Quadruple/Triple/Double)	Triple	Triple
Internal lighting	1 x 1W LED	1 x 1W LED
COOKING FUNCTIONS		
Hot Air	●	●
Hot Air Gentle		
Top/bottom heat		
Conventional heat Eco		
Fan & Grill	●	●
Full surface grill/ Centre surface grill	●/	●/
Bread baking		
Bottom heat		
Low temperature cooking		
Pizza setting/ CircoTherm® Intensive	●	●
Defrost		
Dough Proving		
Plate warming/ Keep warm		
Microwave	●	●
Microwave combinable	●	●
OVEN CLEANING		
Pyrolytic cleaning		
Easy Clean®/ Base Clean		
EcoClean Surfaces		
Cleaning setting		
STANDARD ACCESSORIES		
Wire shelf	1	1
Universal pan		
Ceramic Glass Base	●	●
STANDARD ACCESSORIES		
Energy efficiency index		
Energy efficiency class		
Energy consumption per cycle CircoTherm (kWh)		
Energy consumption per cycle conventional (kWh)		
Oven capacity (L)	44	44
Time to cook standard load (mins)		
Largest baking sheet area (cm ²)		

¹ Measured according to the EN50304, 65/2014. ² For further information on inverter technology, please go to www.neffhome.com/uk/. ³ For Inverter models, the maximum setting offers a time limited boost option for heating liquids. To ensure optimal results and to protect the appliance, the microwave power output is reduced in stages over the first few minutes down to the next power level (600W). After a cooling period, the microwave boost option will be available once more.

Core Range Compact Microwaves



CORE MODELS	N 70	N 70	N 70	N70
GRAPHITE GREY	NL4GR31G1B	NR4GR31G1B	NL4WR21G1B	NR4WR21G1B
STEEL	NL4GR31G1B	NR4GR31G1B	NL4WR21G1B	NR4WR21G1B
OPERATION				
Premium Full Touch TFT Display Type	Full Touch 1	Full Touch 1	Full Touch 1	Full Touch 1
Screen Size	3.7"	3.7"	3.7"	3.7"
CONTROLS				
Electronic control	●	●	●	●
Temperature proposal with display	●	●	●	●
Heating up indicator / Residual heat indicator	●/●	●/●	●/●	●/●
Control panel lock / Safety switch off	●/●	●/●	●/●	●/●
Automatic programmes	●	●	●	●
SPECIAL FEATURES				
Door type	Left hinged door	Right hinged door	Left hinged door	Right hinged door
Soft open door				
Oven Assistant with Voice Control				
Home Connect				
Telescopic Rail				
Multi Point Temperature Probe				
Single Point Meat Probe				
Rapid heat up	●	●	●	●
Baking and roasting assistant				
FEATURES				
Electronic clock / timer	●	●	●	●
Full glass inner door	●	●	●	●
Glazed door (Quadruple / Triple/Double)	Double	Double	Double	Double
Internal lighting	LED Light	LED Light	LED Light	LED Light
Water tank empty indicator				
COOKING FUNCTIONS	2 heating mode	2 heating mode	1 heating mode	1 heating mode
FullSteam 100% / Intensive Steam				
Circo Therm® with Added Steam				
Dough Proving with Added Steam				
Keep Warm with Added Steam				
Reheat with Added Steam				
Sous-vide cooking				
Circo Therm®				
Circo Therm® Gentle / Top / bottom heat Gentle				
Bottom heat				
Conventional heat / Conventional heat gentle				
Low temperature cooking / Pre-heating				
Circo Roasting / Hot air grilling				
Full surface grill / Centre Surface Grill	●/	●/		
Bread Baking Function / Pizza setting / Dough proving				
Defrost / Plate warming / Keep warm				
Microwave Power Settings	W 90, 180, 360, 600, 900	90, 180, 360, 600, 900	90, 180, 360, 600, 900	90, 180, 360, 600, 900
Microwave Cooking Programmes	3 Defrost / 4 Cooking	3 Defrost / 4 Cooking	3 Defrost / 4 Cooking	3 Defrost / 4 Cooking
OVEN CLEANING				
Pyrolytic cleaning				
Easy Clean / Base Clean	●/●	●/●	●/●	●/●
Eco Clean Surface				
Cleaning setting	●	●	●	●
Descaling programme				
ENERGY EFFICIENCY ¹				
Energy efficiency class				
Energy consumption per cycle CircoTherm	kWh			
Energy consumption per cycle conventional	kWh			
Oven capacity	L	21	21	21
Time to cook standard load	mins			
Largest baking sheet area	cm ²			



CORE MODELS	N 50	N 50	N 50	N 50
GRAPHITE GREY	HLAGD53N0B	HLAWD53N0B	HLAWD23G0B	HLAWD23N0B
STEEL	HLAGD53N0B	HLAWD53N0B	HLAWD23G0B	HLAWD23N0B
OPERATION				
Retractable control with push buttons	●	●	●	●
Control panel position	Right, vertical	Right, vertical	Right, vertical	Right, vertical
FUNCTIONS				
Microwave	●	●	●	●
Quartz Grill	●			
Microwave & grill combination	●			
FEATURES				
Installation position	Tall housing	Tall housing	Wall unit or Tall housing	Wall unit or Tall housing
Full width frameless design	●	●	●	●
Electronic Clock	White LED display	White LED display	White LED display	White LED display
ClearText Display				
Automatic programmes	8	7	7	7
Memory settings	1	1	1	1
Maximum cooking time duration (mins)	99	99	99	99
Electronic door opening				
Push button door opening	●	●	●	●
Hinge	Left	Left	Left	Left
Internal light	1 x 3W LED	1 x 3W LED	1 x 3W LED	1 x 3W LED
Stainless steel interior	●	●	●	●
STANDARD ACCESSORIES				
Glass turntable	1	1	1	1
Glass pan / Wire Grid				
TECHNICAL INFORMATION				
Appliance Dimensions HxWxD	mm 382 x 594 x 388	382 x 594 x 388	382 x 594 x 317	382 x 594 x 317
Cavity Dimensions HxWxD	mm 208 x 328 x 369	208 x 328 x 369	201 x 308 x 282	201 x 308 x 282
Oven capacity	L 25	25	20	20
Inverter technology ¹				
Maximum power Microwave ²	W 900	900	800	800
Number of Microwave power levels	5	5	5	5
Microwave distribution	Turntable	Turntable	Turntable	Turntable
Turntable diameter	mm 315	315	255	255
Total connected load	kW 1.45	1.45	1.27	1.27
Minimum fuse protection	Amps 10	10	10	10
Cable length	cm 130	130	130	130
GB plug	●	●	●	●

¹ Measured according to the EN50304, 65/2014. ² For further information on inverter technology, please go to www.neffhome.com/uk. ³For Inverter models, the maximum setting offers a time limited boost option for heating liquids. To ensure optimal results and to protect the appliance, the microwave power output is reduced in stages over the first few minutes down to the next power level (600W). After a cooling period, the microwave boost option will be available once more.

Double Ovens



Home Connect

Home Connect

COLLECTION	N 50		N 50		N 50		N 50	
BLACK GLASS WITH STEEL TRIM	U2ACM7HG0B		U2ACM7HH0B		U1ACI5HN0B		U1ACE5HN0B	
GRAPHITE-GREY TRIM	U2ACM7HG0B							
DESIGN								
Neff Design Retractable controls	•	•	•	•	•	•	•	•
Electronic clock / timer	White LCD display		White LCD display		White LCD display		White LCD display	
ELECTRONIC CONTROL	Main	2nd	Main	2nd	Main	2nd	Main	2nd
Temperature display	•	•	•	•	via Meat probe			
Heating up indicator	•	•	•	•	•		•	
Residual heat indicator	•	•	•	•				
Temperature proposal	•	•	•	•				
SPECIAL FEATURES	Main	2nd	Main	2nd	Main	2nd	Main	2nd
Door type	Drop Down Door	Drop Down Door	Drop Down Door	Drop Down Door	Drop Down Door	Drop Down Door	Drop Down Door	Drop Down Door
Home Connect	•	•	•	•				
Electronic control	•	•	•	•				
Telescopic Rails	1 x Clip Rail		1 x Clip Rail		1 x Clip Rail		1 x Clip Rail	
Standard Meat Probe	•		•		•			
FEATURES	Main	2nd	Main	2nd	Main	2nd	Main	2nd
Control panel lock	•	•	•	•	•		•	
Full glass inner door	•	•	•	•	•	•	•	•
Safety switch off	•	•	•	•				
Internal lighting	1 x 25W halogen	1 x 25W halogen	1 x 25W halogen	1 x 25W halogen	1 x 25W halogen	1 x 25W halogen	1 x 25W halogen	1 x 25W halogen
Number of shelf positions	4	3	4	3	4	3	4	3
Glazed door (Quadruple/Triple/Double)	Quadruple	Quadruple	Quadruple	Quadruple	Triple	Triple	Double	Triple
COOKING FUNCTIONS	Main	2nd	Main	2nd	Main	2nd	Main	2nd
CircoTherm®	3D		3D		3D		3D	
CircoTherm® Gentle	•		•		•		•	
Top/bottom heat	•	•	•	•	•	•	•	•
CircoRoasting	•		•		•		•	
Full surface grill	•	•	•	•	•	•	•	•
Centre surface grill		•		•		•		•
Bread baking	•		•					
Bottom heat	•	•	•	•	•	•	•	•
Pizza Setting / CircoTherm Intensive	•		•		•		•	
Rapid heat	•		•		•		•	
OVEN CLEANING	Main	2nd	Main	2nd	Main	2nd	Main	2nd
Pyrolytic Cleaning	•	•	•	•				
Easy Clean®	•		•				•	
EcoClean liners (Roof/Back/Sides)					roof/back/sides	roof/back/sides	roof/back/sides	roof/back/sides
Base clean					•			
Cleaning setting	•	•	•	•	•			
STANDARD ACCESSORIES	Main	2nd	Main	2nd	Main	2nd	Main	2nd
Wire shelves	3		3		3		3	
Universal pan	1		1		1		1	
ENERGY EFFICIENCY ¹	Main	2nd	Main	2nd	Main	2nd	Main	2nd
Energy efficiency index	95.3	120.3	95.3	120.3	95.3	120.3	95.3	120.3
Energy efficiency class	A	B	A	B	A	B	A	B
Energy consumption per cycle CircoTherm (kWh)	0.75		0.75		0.78		0.78	-
Energy consumption per cycle conventional (kWh)	1.00	0.83	1.00	0.83	0.93	0.83	0.93	0.83
Oven capacity (L)	71	34	71	34	71	34	71	34
Time to cook standard load (mins)	44	44	44	44	44	44	44	44
Largest baking sheet area (cm ²)	1290		1290		1290		1290	

Built-Under Double Ovens



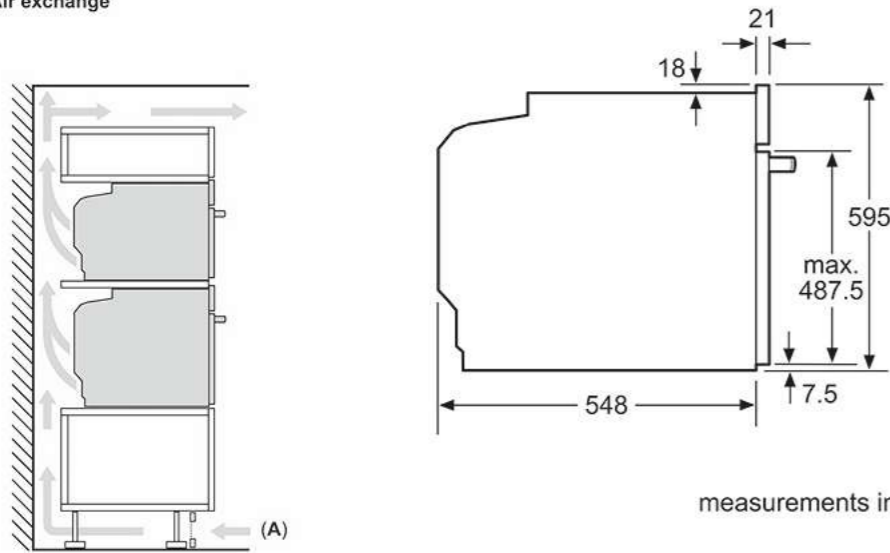
COLLECTION	N 50		N 50		N 50		N 50	
BLACK GLASS WITH STEEL TRIM	U1ACE2HG0B		U1ACE2HN0B		J1ACE4HN0B		J1ACE2HN0B	
DESIGN								
Neff Design Retractable controls	•	•	•	•	•	•	•	•
Electronic clock / timer	White LCD display		White LCD display		White LCD display		White LCD display	
ELECTRONIC CONTROL	Main	2nd	Main	2nd	Main	2nd	Main	2nd
Temperature display	•	•	•	•				
Heating up indicator	•	•	•	•				
Residual heat indicator	•	•	•	•				
Temperature proposal	•	•	•	•				
SPECIAL FEATURES	Main	2nd	Main	2nd	Main	2nd	Main	2nd
Door type	Drop Down Door	Drop Down Door	Drop Down Door	Drop Down Door	Drop Down Door	Drop Down Door	Drop Down Door	Drop Down Door
Home Connect	•	•	•	•				
Electronic control	•	•	•	•				
Telescopic Rails	1 x Clip Rail		1 x Clip Rail		1 x Clip Rail		1 x Clip Rail	
Standard Meat Probe	•		•					
FEATURES	Main	2nd	Main	2nd	Main	2nd	Main	2nd
Control panel lock	•	•	•	•	•		•	
Full glass inner door	•	•	•	•	•	•	•	•
Safety switch off	•	•	•	•				
Internal lighting	1 x 25W halogen	1 x 25W halogen	1 x 25W halogen	1 x 25W halogen	1 x 25W halogen	1 x 25W halogen	1 x 25W halogen	1 x 25W halogen
Number of shelf positions	4	3	4	3	3	3	3	3
Glazed door (Quadruple/Triple/Double)	Double	Double	Double	Double	Double	Triple	Double	Triple
COOKING FUNCTIONS	Main	2nd	Main	2nd	Main	2nd	Main	2nd
CircoTherm®	3D		3D		3D		3D	
CircoTherm® Gentle	•		•		•		•	
Top/bottom heat	•	•	•	•	•	•	•	•
CircoRoasting	•		•		•		•	
Full surface grill	•	•	•	•	•	•	•	•
Centre surface grill		•		•		•		•
Bread baking	•		•					
Bottom heat	•	•	•	•	•	•	•	•
Pizza Setting / CircoTherm Intensive	•		•		•		•	
Rapid heat	•		•		•		•	
OVEN CLEANING	Main	2nd	Main	2nd	Main	2nd	Main	2nd
Pyrolytic Cleaning	•	•	•	•				
Easy Clean®	•		•				•	
EcoClean liners (Roof/Back/Sides)					back	roof/back/sides		
Base clean								
Cleaning setting	•	•	•	•				
STANDARD ACCESSORIES	Main	2nd	Main	2nd	Main	2nd	Main	2nd
Wire shelves	3		3		2		2	
Universal pan	1		1		1		1	
ENERGY EFFICIENCY ¹	Main	2nd	Main	2nd	Main	2nd	Main	2nd
Energy efficiency index	95.3	120.3	95.3	120.3	94.7	120.3	94.7	120.3
Energy efficiency class	A	B	A	B	A	B	A	B
Energy consumption per cycle CircoTherm (kWh)	0.75		0.75		0.64		0.64	
Energy consumption per cycle conventional (kWh)	1.00	0.83	1.00	0.83	0.84	0.83	0.84	0.83
Oven capacity (L)	71	34	71	34	47	34	47	34
Time to cook standard load (mins)	44	44	44	44	45	45	45	45
Largest baking sheet area (cm ²)	1290		1290		1290		1290	

¹ Measured according to the EN50304, 65/2014. ² For further information on inverter technology, please go to www.neffhome.com/uk. ³ For inverter models, the maximum setting offers a time limited boost option for heating liquids. To ensure optimal results and to protect the appliance, the microwave power output is reduced in stages over the first few minutes down to the next power level (600W). After a cooling period, the microwave boost option will be available once more.

NEFF Core Range Single Ovens With Steam

B64VT73G0B, B64CT73G0B, B64VS71G0B, B64FT53G0B, B64FS31G0B

Installing two appliances on top of each other
Air exchange

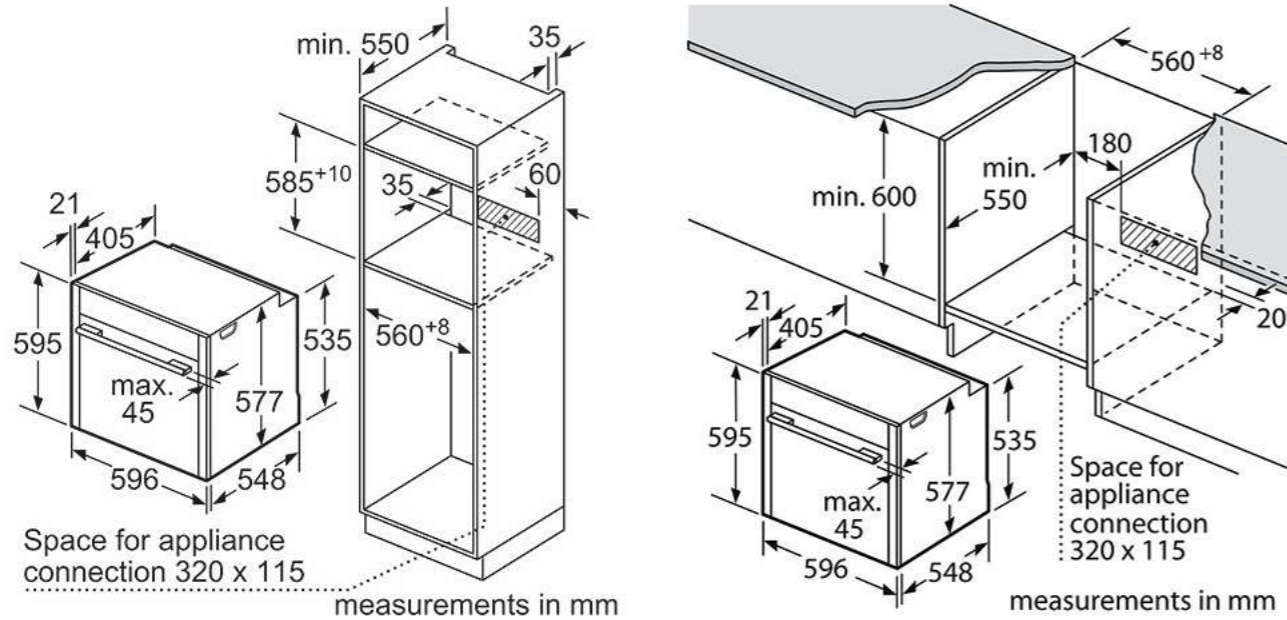


If the appliance will be installed underneath a hob, the following worktop thicknesses (including substructure if necessary) must be taken into account.

Hob type	min. worktop thickness	
	fitted	flush
Induction hob	37 mm	38 mm
Full surface Induction hob	47 mm	48 mm
Gas hob	30 mm	38 mm
Electric hob	27 mm	30 mm

measurements in mm

A: Air inlet $\geq 200 \text{ cm}^2$



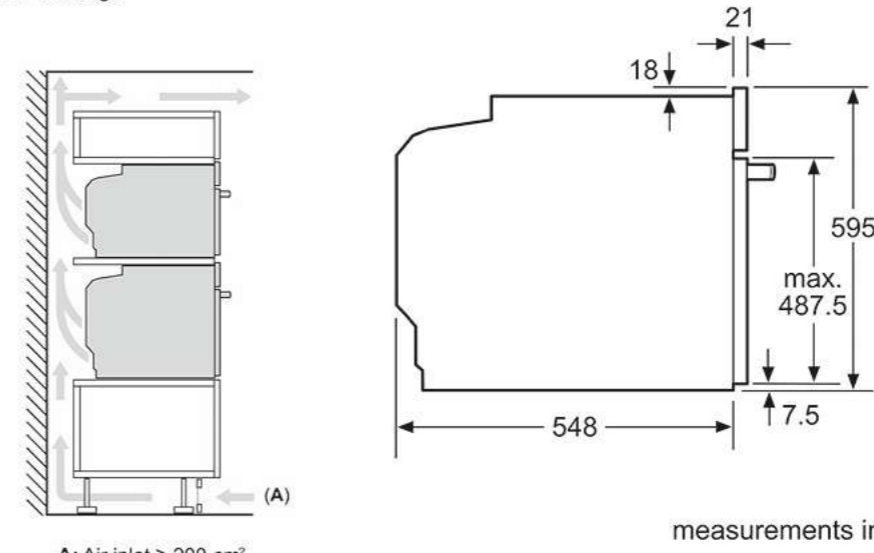
Space for appliance connection 320 x 115

measurements in mm

NEFF Core Range Single Ovens

B64CS71G0B, B54CR71G0B, B54CR71N0B, B64CS51G0B, B54CR31G0B, B54CR31N0B, B24CR31G0B, B24CR71G0B

Installing two appliances on top of each other
Air exchange

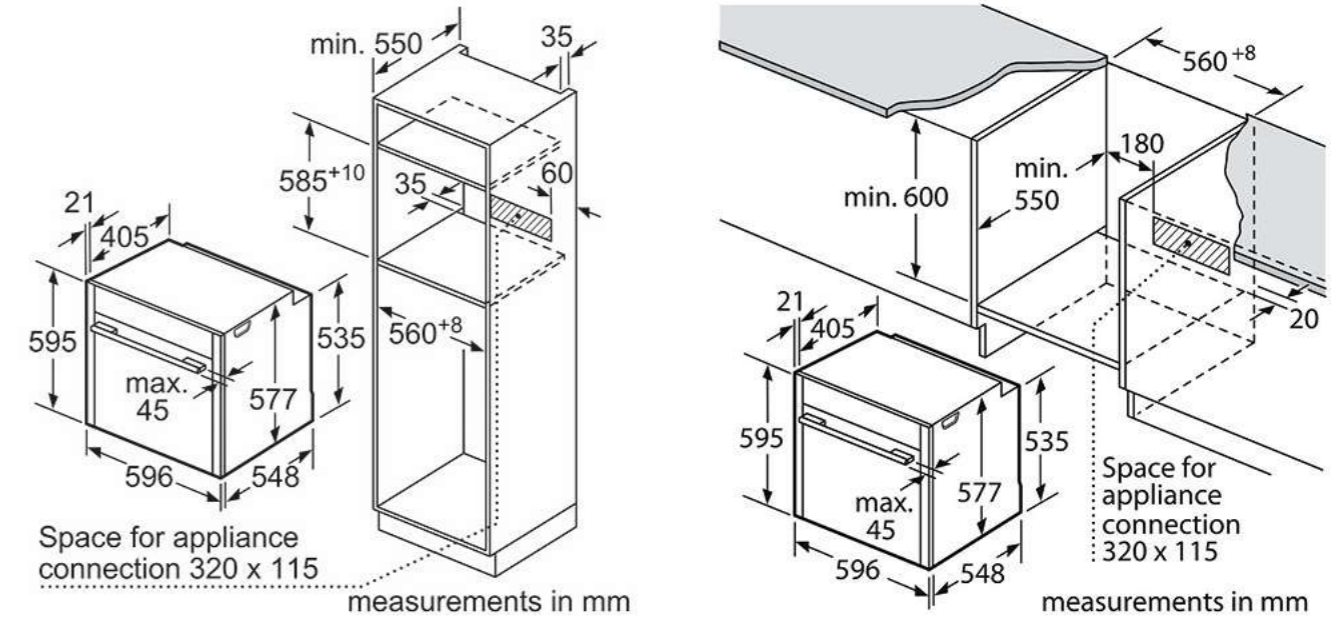


If the appliance will be installed underneath a hob, the following worktop thicknesses (including substructure if necessary) must be taken into account.

Hob type	min. worktop thickness	
	fitted	flush
Induction hob	37 mm	38 mm
Full surface Induction hob	47 mm	48 mm
Gas hob	30 mm	38 mm
Electric hob	27 mm	30 mm

measurements in mm

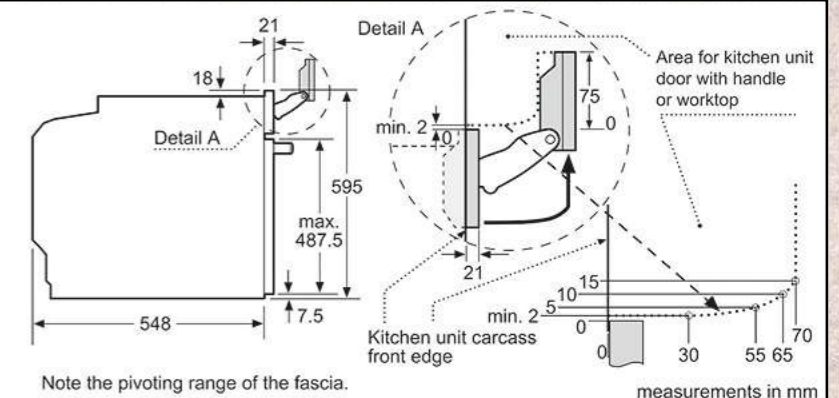
A: Air inlet $\geq 200 \text{ cm}^2$



Space for appliance connection 320 x 115

measurements in mm

B64CS71G0B, B54CR71G0B, B54CR71N0B, B64CS51G0B, B54CR31G0B, B54CR31N0B

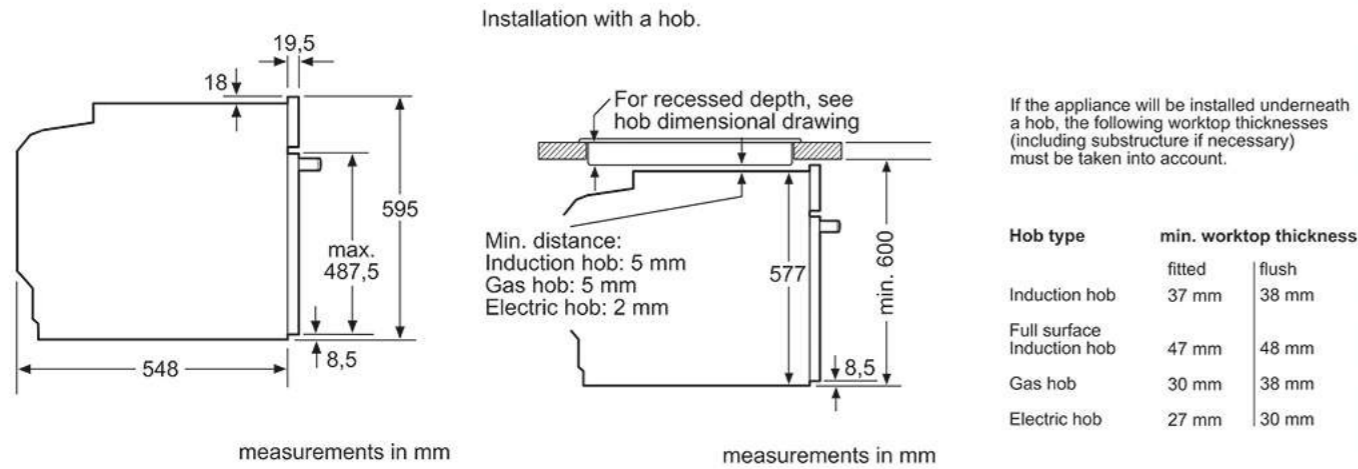


Note the pivoting range of the fascia.

measurements in mm

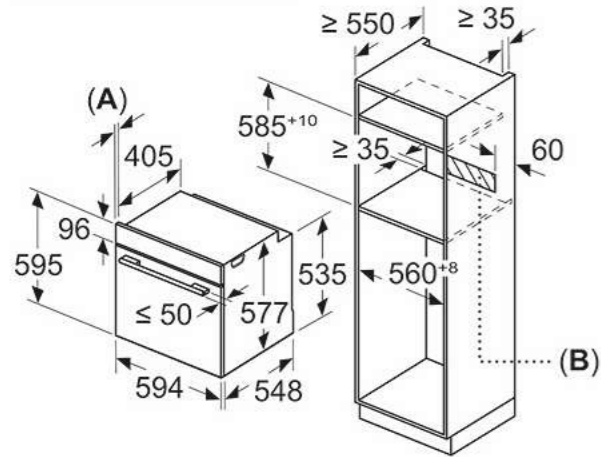
NEFF Core Range Single Ovens With Steam

B6ACH7HG0B, B6ACH7HH0B, B4ACF1AN0B, B3ACE4HG0B, B3ACE4HN0B, B3AVH4HG0B, B3AVH4HH0B, B1ACE4HN0B, B2ACH7HH0B

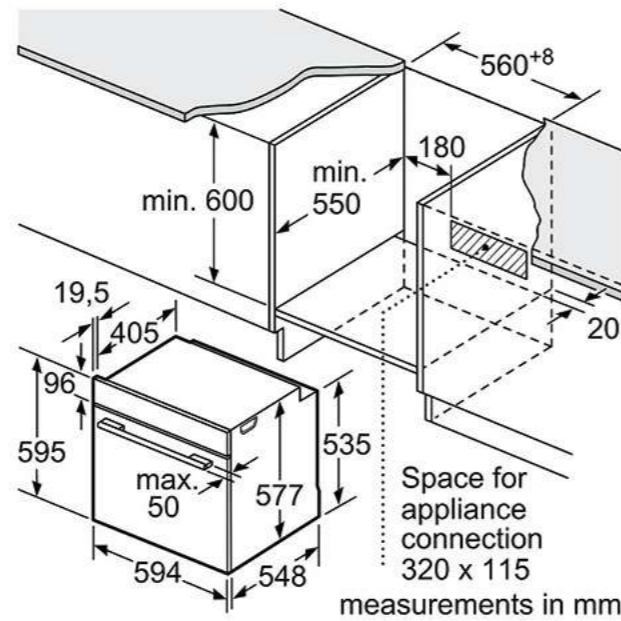


A: Air inlet $\geq 200 \text{ cm}^2$

Measurements in mm

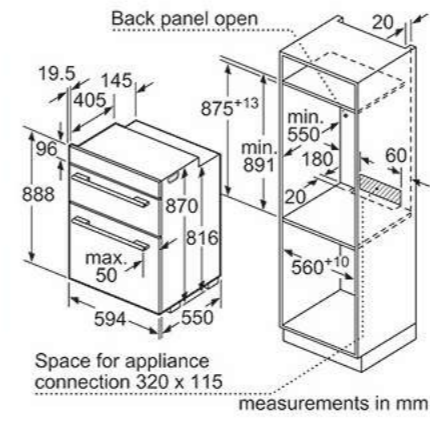


A: 19.5 mm
B: Space for appliance connection 320 x 115 mm

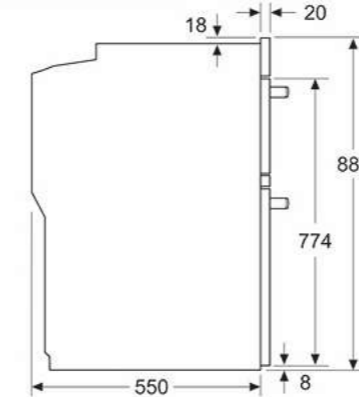


NEFF Core Range Double Ovens

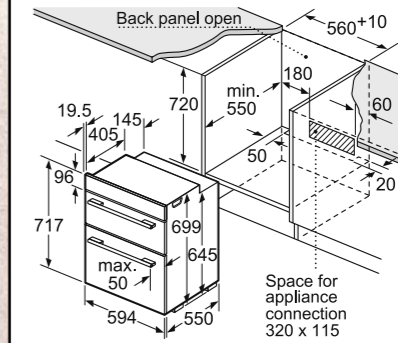
U2ACM7HG0B, U2ACM7HH0B, U1ACI5HN0B, U1ACE5HN0B, U1ACE2HG0B, U1ACE2HN0B



measurements in mm



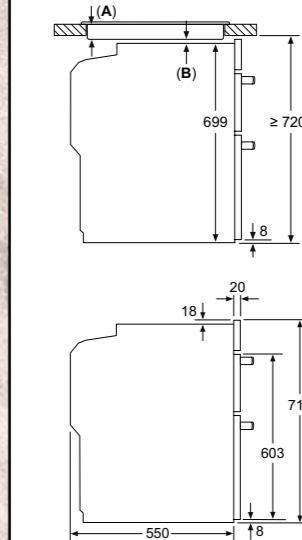
J1ACE4HN0B, J1ACE2HN0B



If the appliance will be installed underneath a hob, the following worktop thicknesses (including substructure if necessary) must be taken into account.

Hob type	min. worktop thickness	
	fitted	flush
Induction hob	39 mm	40 mm
Full surface induction hob	49 mm	50 mm
Gas hob	29 mm	40 mm
Electric hob	29 mm	32 mm

Measurements in mm
Installation with a cooktop

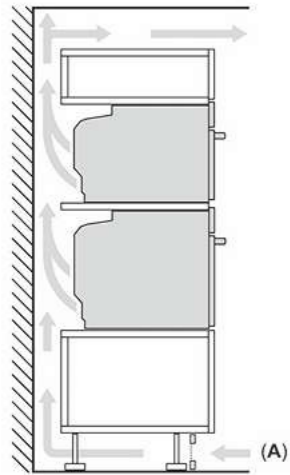


A: Recessed depth 29-50 mm. See cooktop dimensional drawing.
B: Clearance min.:
Induction cooktop: 5 mm
Gas cooktop: 5 mm
Electric cooktop: 2 mm

NEFF Core Range Compact Ovens

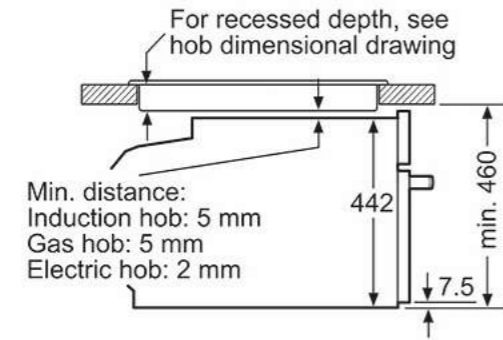
C24FT53G0B, C24FS31G0B

Installing two appliances on top of each other
Air exchange



A: Air inlet $\geq 200 \text{ cm}^2$

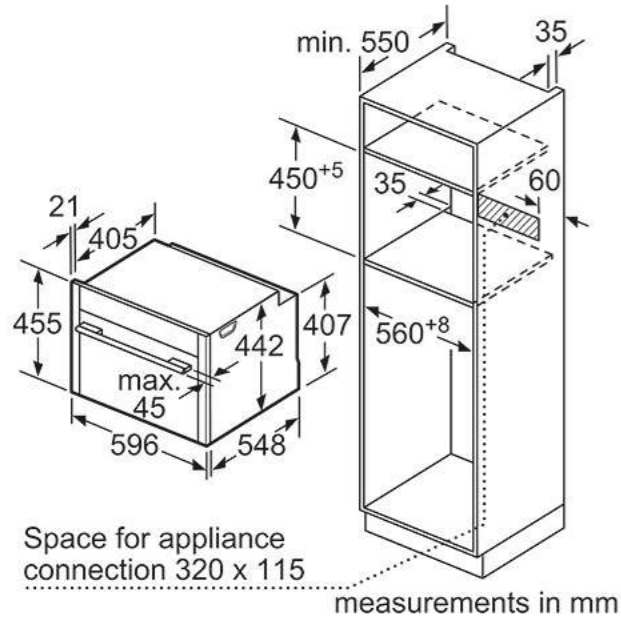
Installation with a hob.



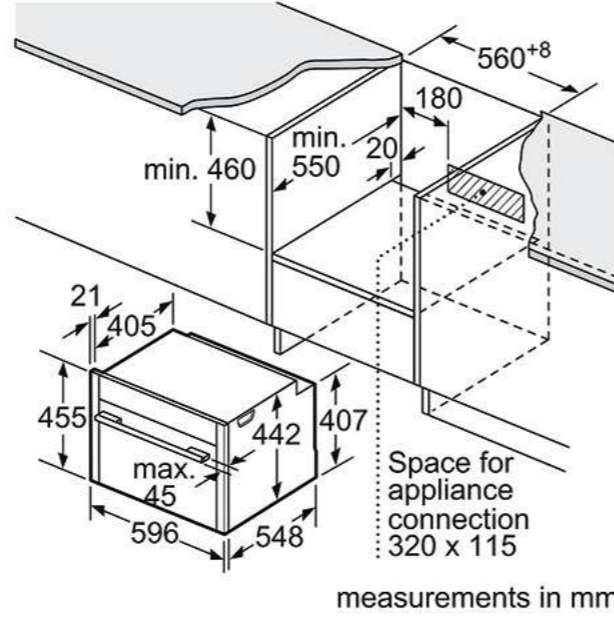
If the compact appliance will be installed underneath a hob, the following worktop thicknesses (including substructure if necessary) must be taken into account.

Hob type	min. worktop thickness	
	fitted	flush
Induction hob	42 mm	43 mm
Full surface Induction hob	52 mm	53 mm
Gas hob	32 mm	43 mm
Electric hob	32 mm	35 mm

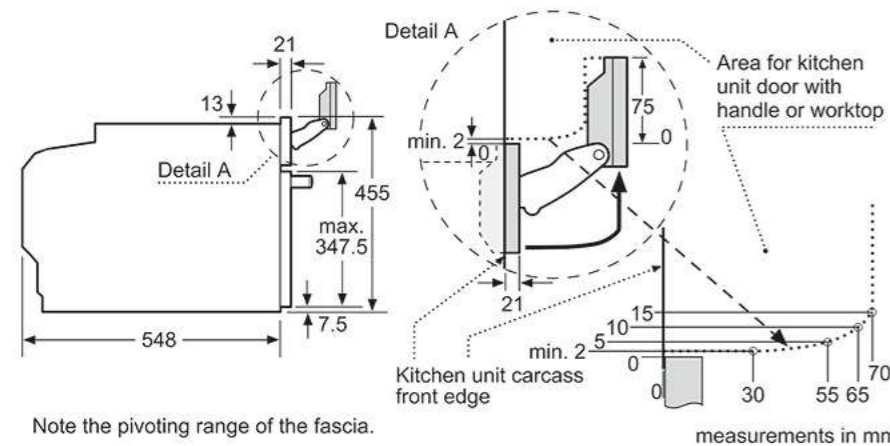
measurements in mm



measurements in mm



measurements in mm



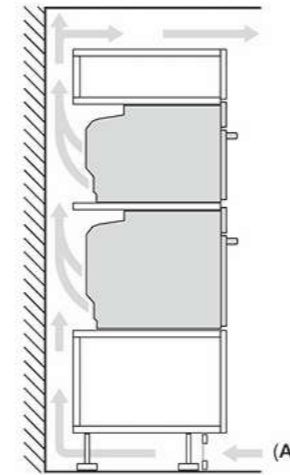
measurements in mm

Measurements in mm. The line drawings featured in this brochure are provided as a guide to general dimensions only and are subject to amendment without prior notice. For full dimensional and installation details please refer to the documentation supplied with the appliance.

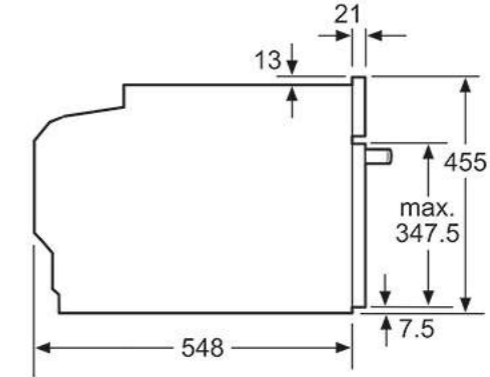
NEFF Core Range Single Ovens

C24MT73G0B, C24MS71G0B, C24MS31G0B, C24MR21G0B, C24MR21N0B, C24GR3XG1B

Installing two appliances on top of each other
Air exchange



A: Air inlet $\geq 200 \text{ cm}^2$

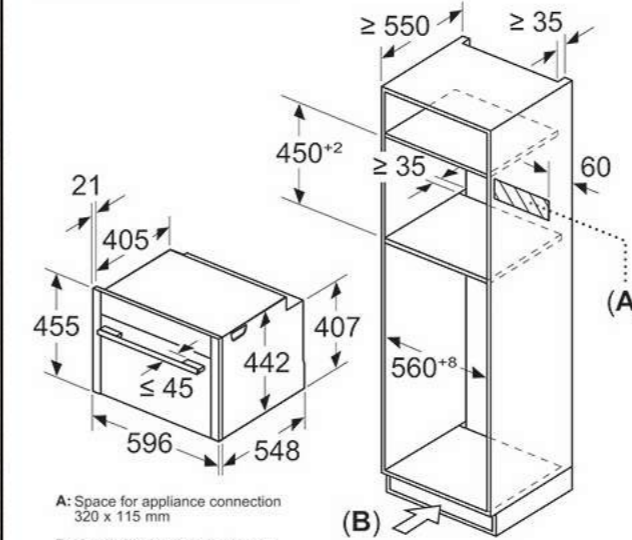


If the compact appliance will be installed underneath a hob, the following worktop thicknesses (including substructure if necessary) must be taken into account.

Hob type	min. worktop thickness	
	fitted	flush
Induction hob	42 mm	43 mm
Full surface Induction hob	52 mm	53 mm
Gas hob	32 mm	43 mm
Electric hob	32 mm	35 mm

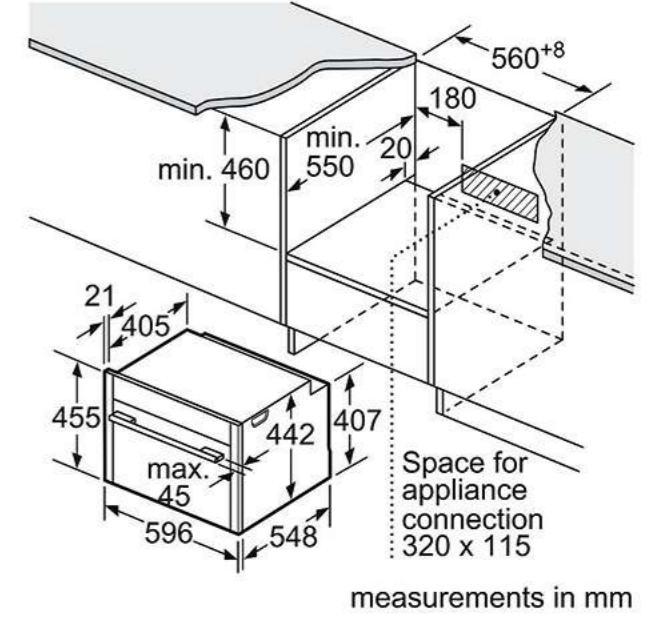
measurements in mm

Measurements in mm



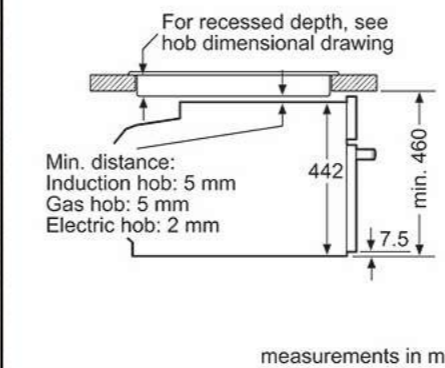
A: Space for appliance connection 320 x 115 mm
B: Ventilation space in the base $\geq 200 \text{ cm}^2$

(A)



measurements in mm

Installation with a hob.



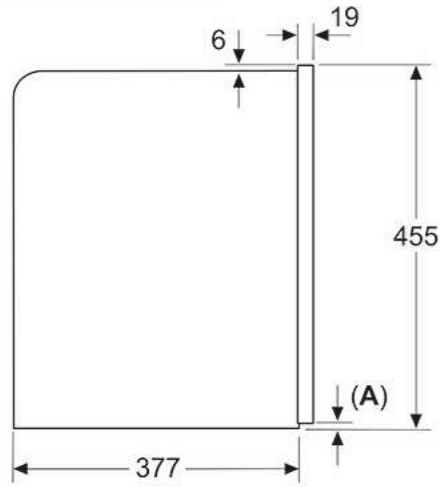
measurements in mm

Measurements in mm. The line drawings featured in this brochure are provided as a guide to general dimensions only and are subject to amendment without prior notice. For full dimensional and installation details please refer to the documentation supplied with the appliance.

NEFF Core Range Coffee Machine

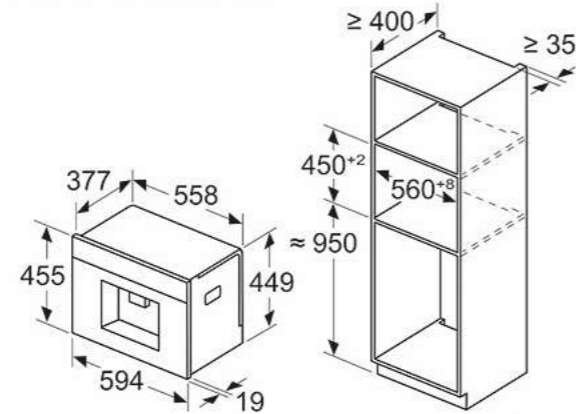
CL4TT11G0

Measurements in mm



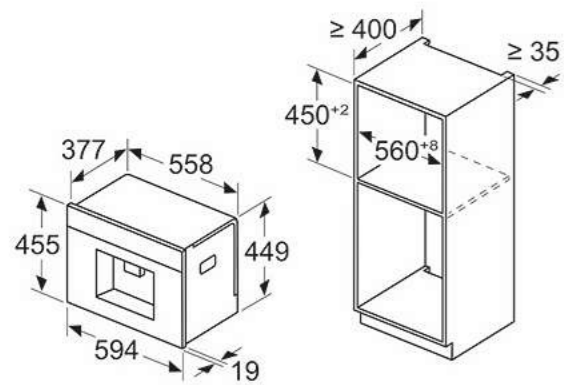
A: 7.5 mm

Measurements in mm



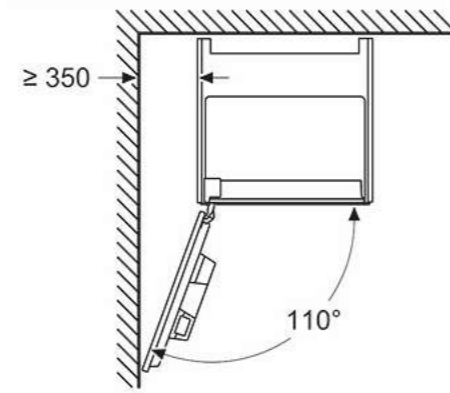
Bean and water containers are removed from the front
Recommended installation height 950–1450 mm

Measurements in mm



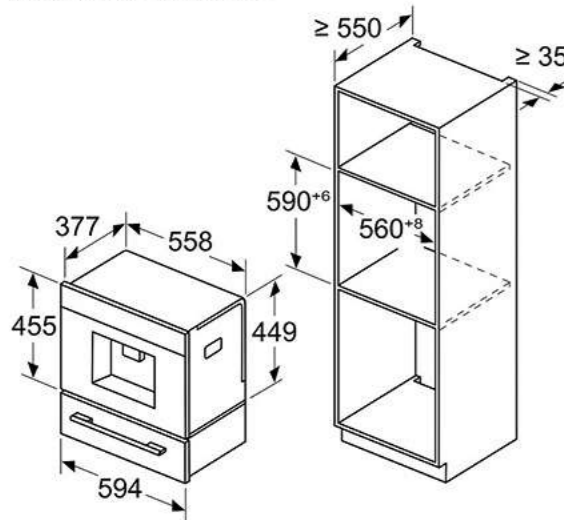
Bean and water containers are removed from the front
Recommended installation height 950–1450 mm

Measurements in mm
Left corner installation



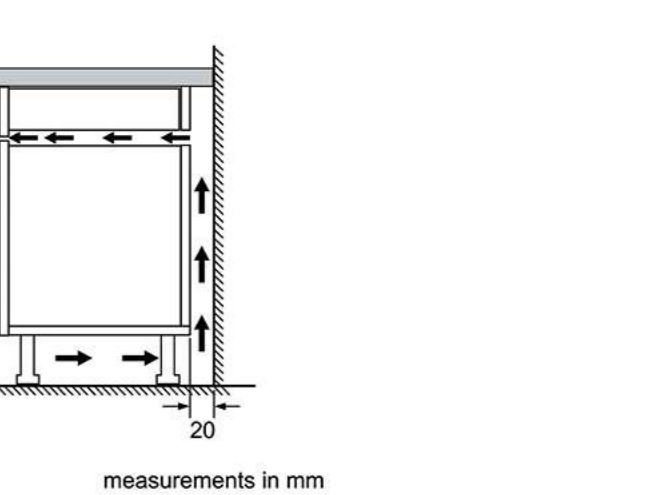
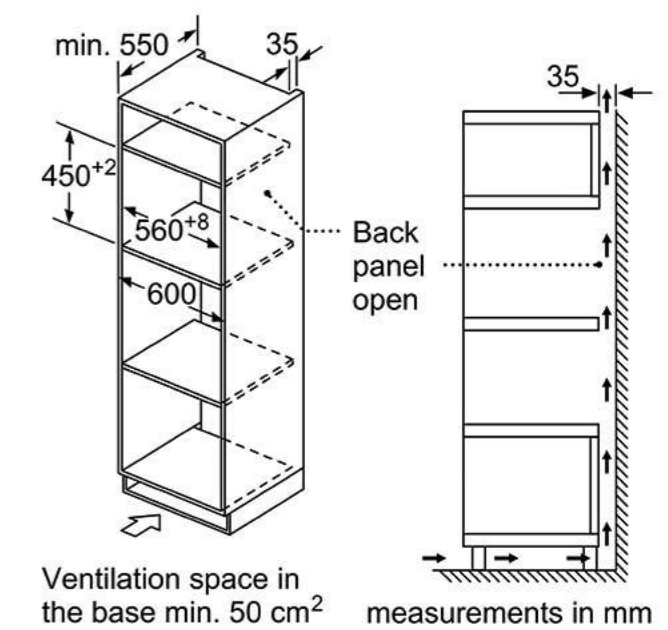
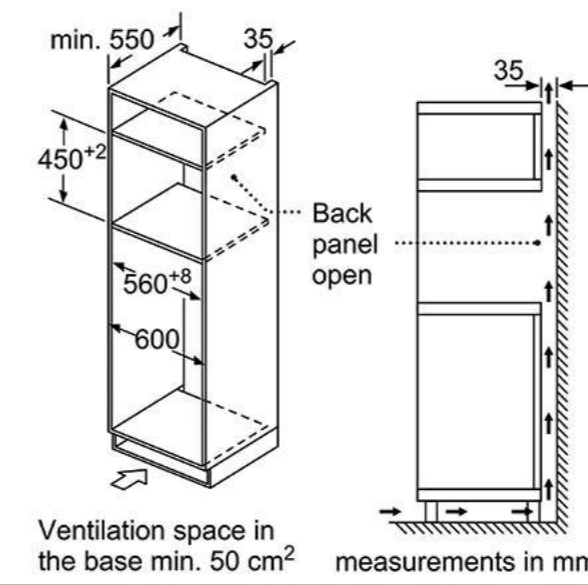
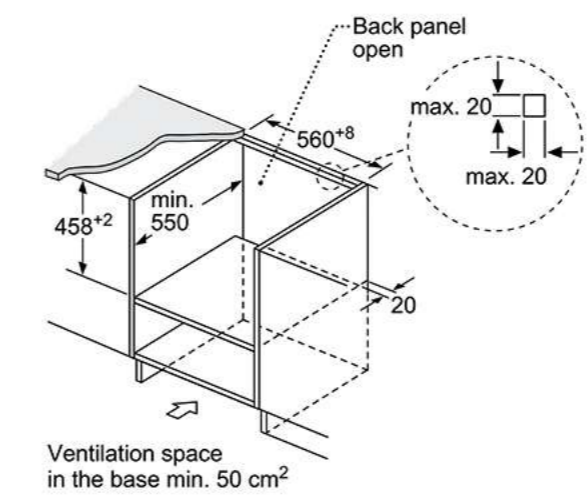
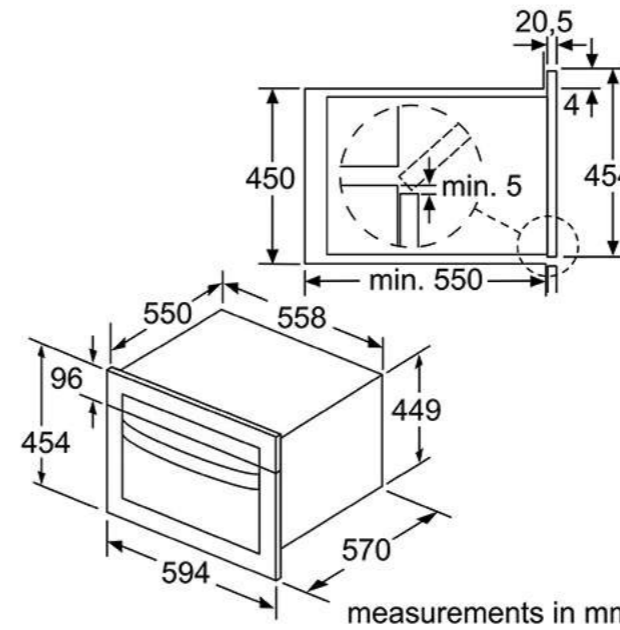
If using the 92° hinge limiter, the min. distance to the wall is only 100 mm

Measurements in mm



NEFF Core Range Compact Ovens

C1AMG84G0B, C1AMG84N0B

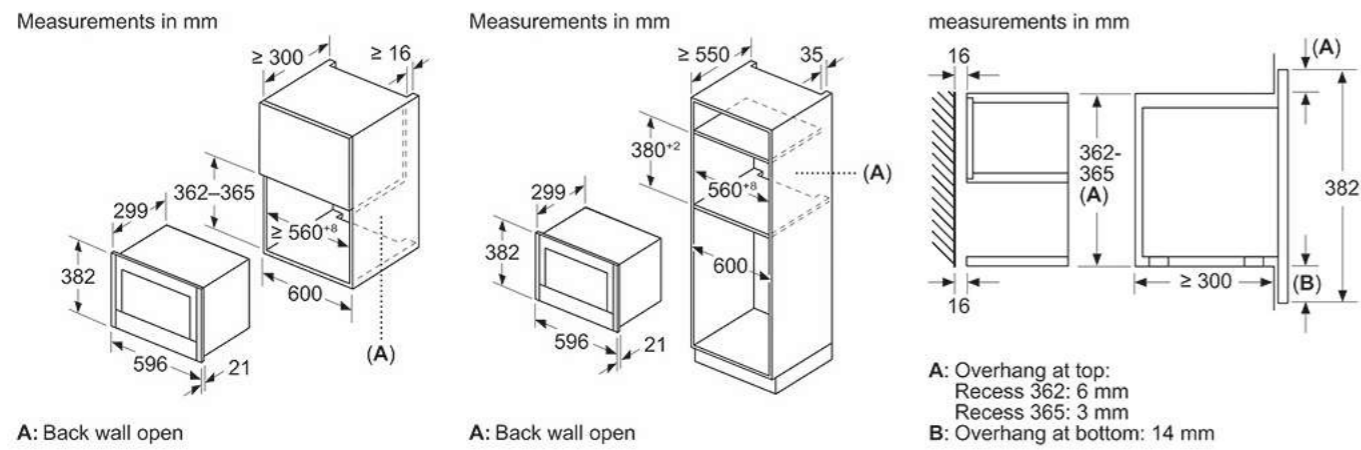


Measurements in mm. The line drawings featured in this brochure are provided as a guide to general dimensions only and are subject to amendment without prior notice. For full dimensional and installation details please refer to the documentation supplied with the appliance.

Measurements in mm. The line drawings featured in this brochure are provided as a guide to general dimensions only and are subject to amendment without prior notice. For full dimensional and installation details please refer to the documentation supplied with the appliance.

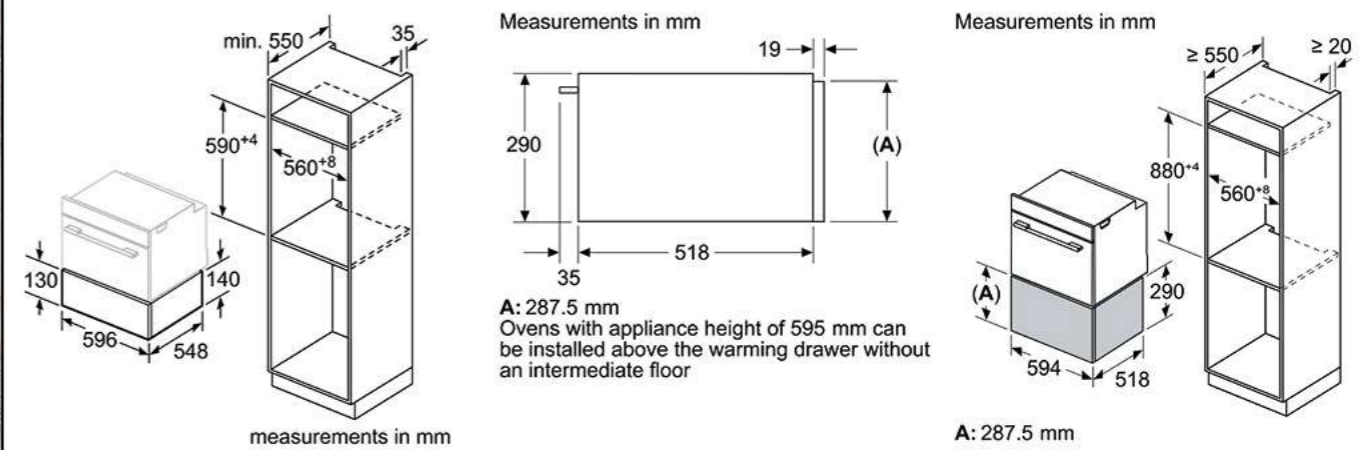
NEFF Core Range Microwaves

NL4GR31G1B, NR4GR31G1B, NL4WR21G1B, NR4WR21G1B

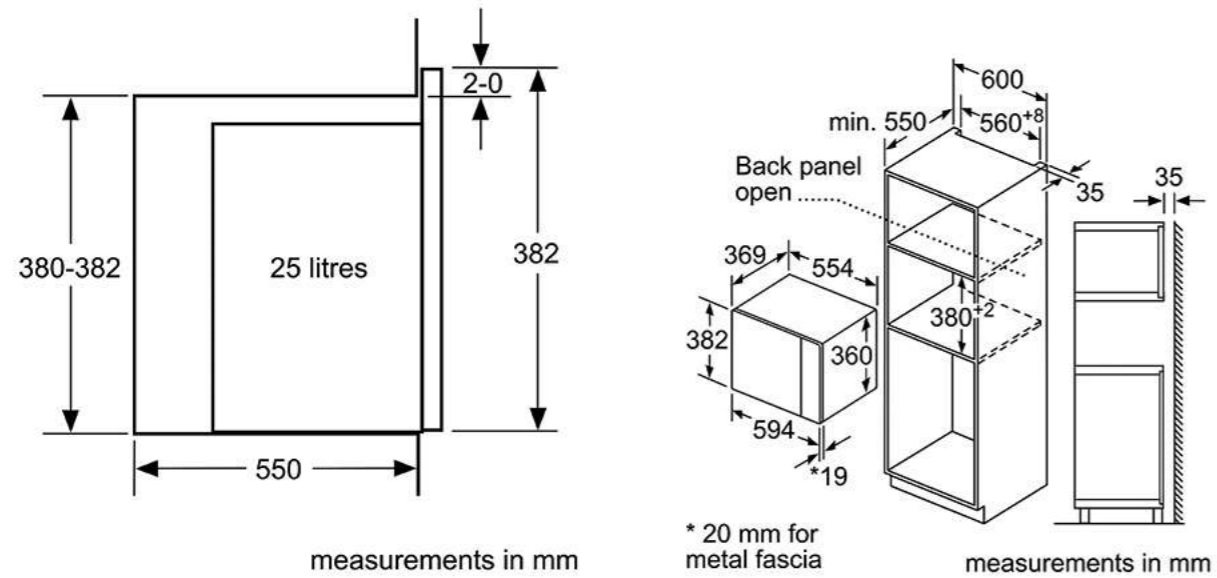


NEFF Core Range Compact Ovens

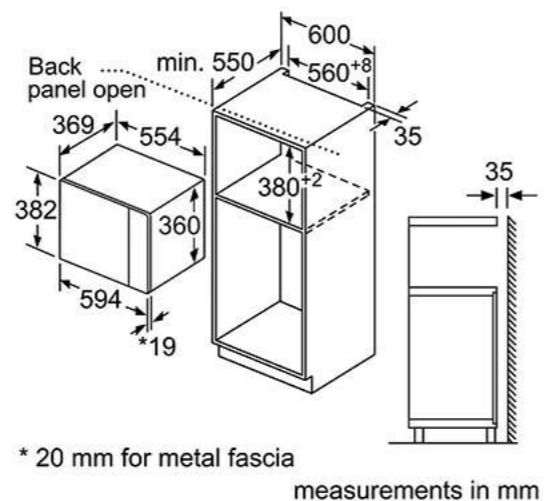
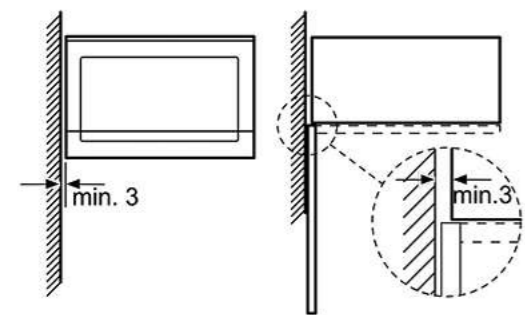
N34HA11G1B, N34HA11N1B



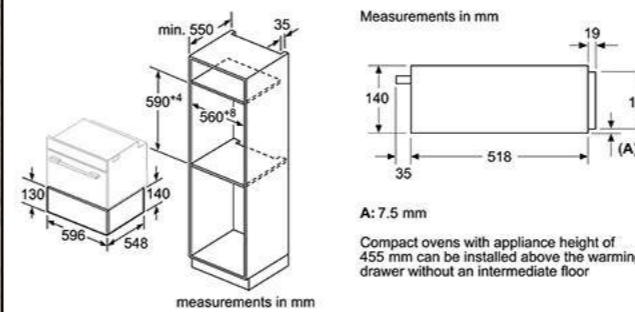
HLAGD53N0B, HLAWD53N0B, HLAWD23G0B, HLAWD23G0B



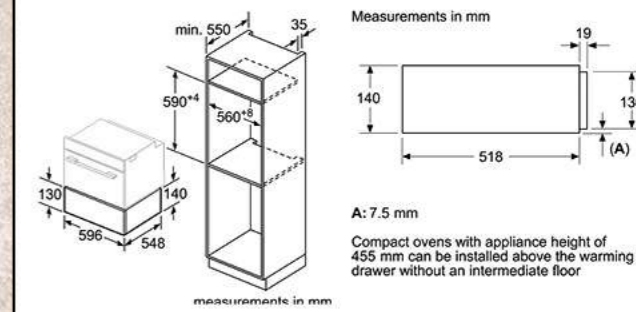
Microwave, corner installation



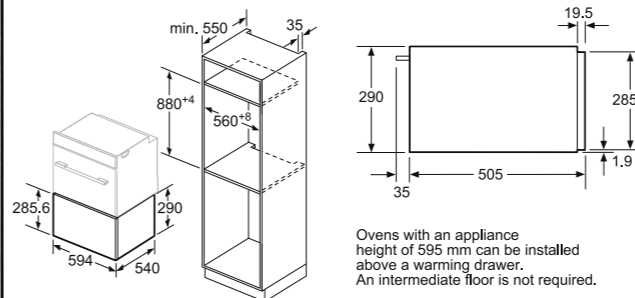
N24HA11G1B, N24HA11N1B



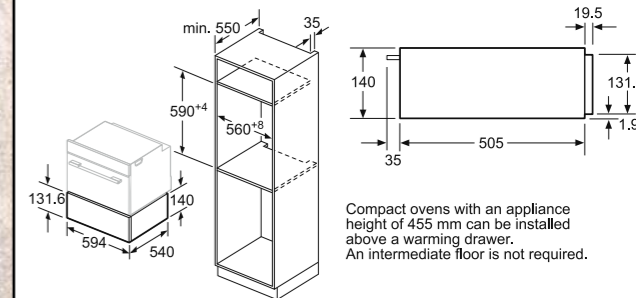
N24ZA11G1



N1AHA02N0B



N1AHA01N0B, N1AHA01G0B



Your Guide To Hobs

Rethink cooking in NEFF's infinite kitchen

A great meal is all about the ingredients and cooking process. And it's the same when it comes to choosing the right hob. If you want flexibility, an electric FlexInduction hob might be what you're after. Or pick one of our innovative gas or fast induction hobs. Can't decide which one? Then the Domino range might be the best hob for you, as it mixes all of the above. There's a NEFF hob for anyone to get creative with.



Venting Hobs

The 2-in-1 Hob and Hood is here. With freedom from a conventional wall or island hood, our integrated cooktop ventilation allows you to reclaim your space in the kitchen. The NEFF Venting Hob is set to create the stylish and sociable kitchen you've always dreamt of.

Our Venting Hobs offer maximum flexibility in installation options - Unducted, Partly Ducted, Fully Ducted & Ducted out.



Featured model:
T58TL6EN2 N90 80cm Venting Hob

Flex Induction Hobs

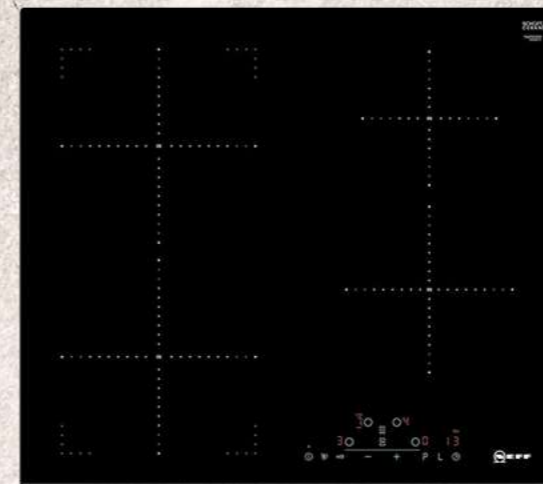
For sociable cooks who often find themselves juggling multiple pans, a FlexInduction hob provides any size pan, anywhere cooking within the zones. When the zones are activated, pans will receive instant, even and rapid heat transference wherever they are placed. Our range of Flex Induction hobs are available with a number of controls either with a TFT touch screen or using a NEFF Twist Pad®.



Featured model:
T69FUV4L0 N90 90cm Flex induction hob with new Twist Pad®

Induction Hobs

If sleek, stylish and clean lines are more in keeping with your kitchen design, our Induction hobs provide a minimalistic and premium look whilst providing a quick and responsive cooking surface. Cooking with an Induction Hob saves energy and is incredibly safe – there is little residual heat once the saucepan is removed from the hob.



Featured model:
T46PD53X2 N70 60cm Induction Hob

Ceramic Hobs

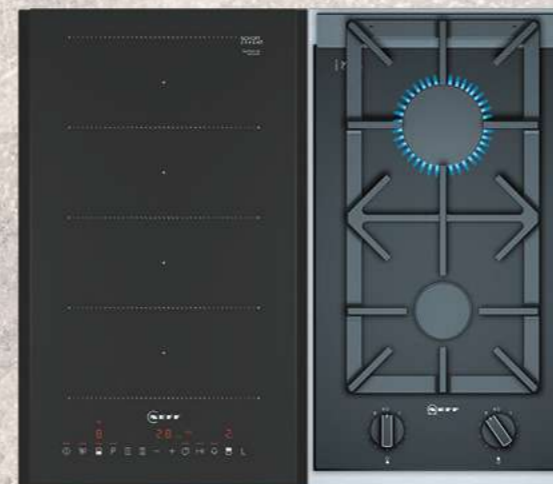
With their frameless design, our Ceramic hobs stand out in any kitchen, and a whole range of options with up to 17 power settings makes preparing the next feast as easy as pie. Better still, our enhanced touch control panel provides full flexibility over your cooking.



Featured model:
T16NBE1L N50 60cm Ceramic Hob

Domino Hobs

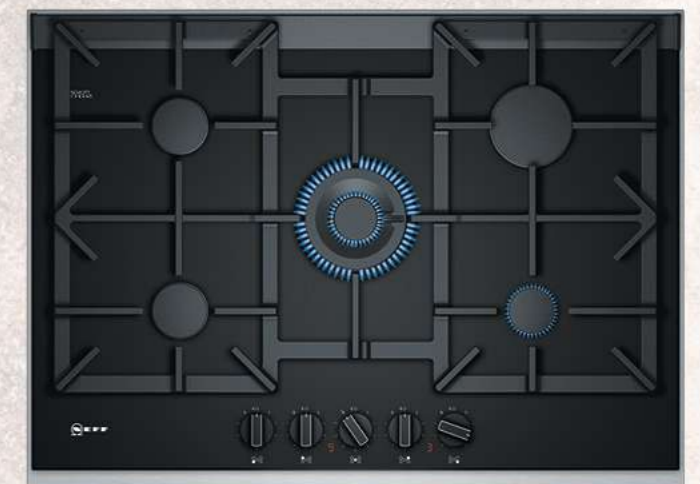
Our domino hobs can be mixed and matched to create a cooking station that's all your own. With gas (30cm), Quick-Light ceramic (30cm), FlexInduction (30cm) and Teppan Yaki (40cm) hobs within the range, our Domino hobs can be linked to provide the ultimate versatile cooking experience.



Featured model:
T63TDX1L0 N70 30cm Flex Induction Domino Hob
N23TS29N0 N90 30cm Gas Domino Hob

Gas Hobs

For traditionalists who prefer to see exactly how much heat is delivered to their pans, gas cooking provides a robust and reliable way to prepare your favourite dishes. You can control your hob by numbers and not by eye with our precise and responsive FlameSelect® heat control feature, available across selected gas hobs.



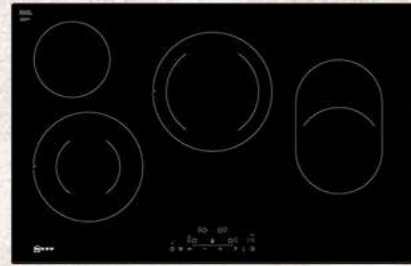
Featured model:
T27CS59S0 N70 75cm Gas Hob

Your Guide To Sizes & Finishes

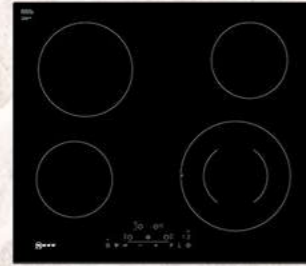
A hob to suit every chef

We strive to maintain a range of hobs with sizes and finishes to suit all requirements. Choose from a number of options including colour trimmed models to match other NEFF appliances, or variations that blend in naturally with the worktop.

Ceramic Sizes



80cm



60cm



30cm

Induction Sizes



90cm



80cm



70cm



60cm



30cm

Gas Sizes



90cm



75cm

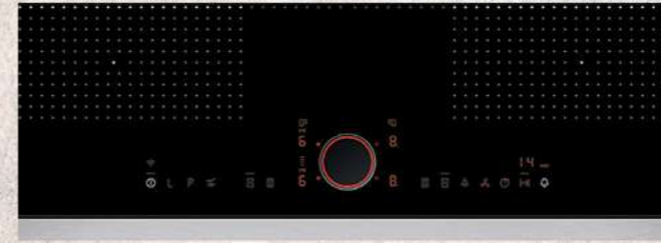


60cm

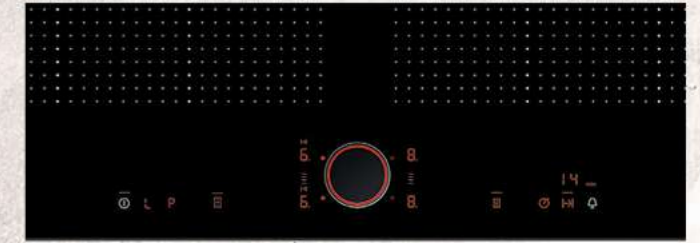


30cm

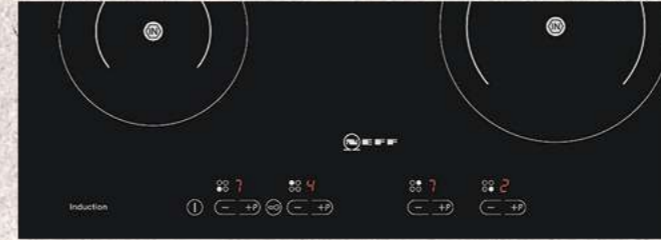
Ceramic & Induction Hobs Finishes



Premium glass on stainless steel trim



Bevelled design trim



Frameless with front bevel



Flushline



Frameless

Gas Hobs Finishes



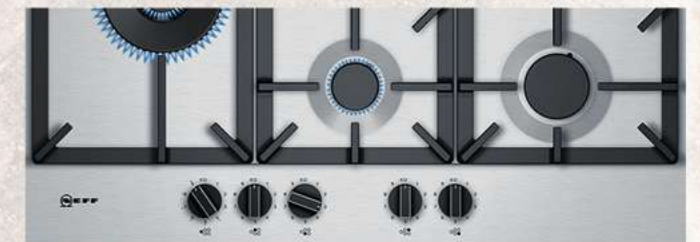
Ceramic glass on stainless steel trim



Black tempered glass



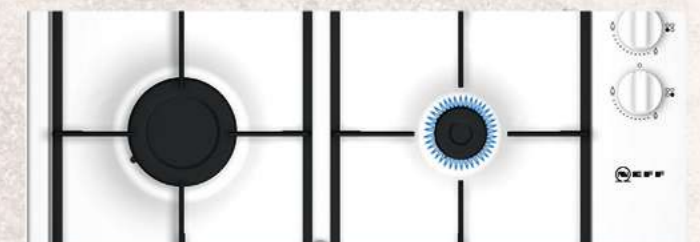
Stainless steel finish with panel insert



Steel



Black finish



White finish

NEW Induction Cookware Accessories Range

Excellent accessories that perform as well as your hob does.

This new range of Induction Cookware Accessories are designed to perfectly fit Flex Induction and Induction hobs. The rectangular shapes perfectly fit into the flex zones.

All accessories are oven-proof up to 220°C with a non-stick coating that cooks your food perfectly while also being easy to clean.

The pans are designed to be easily stacked to maximise your storage space.



Double Flex Pans Set (4 Pans)

Includes:

- Flex Pan Large
- Flex Pan Medium
- 2x Flex Pan small with lid.

Z9404FF0



Single Flex Pans Set (3 Pans)

Includes:

- Flex Pan Medium
- 2x Flex Pan small with lid.

Z9403FF0



Large Pan

Very large frying surface for cooking big portions like for meat fish and more.

Z9401FF0



Teppan Yaki

- Oven proof up to 220C.
- Excellent non-stick properties
- Even heat distribution
- Easy to clean

Z9401TY0

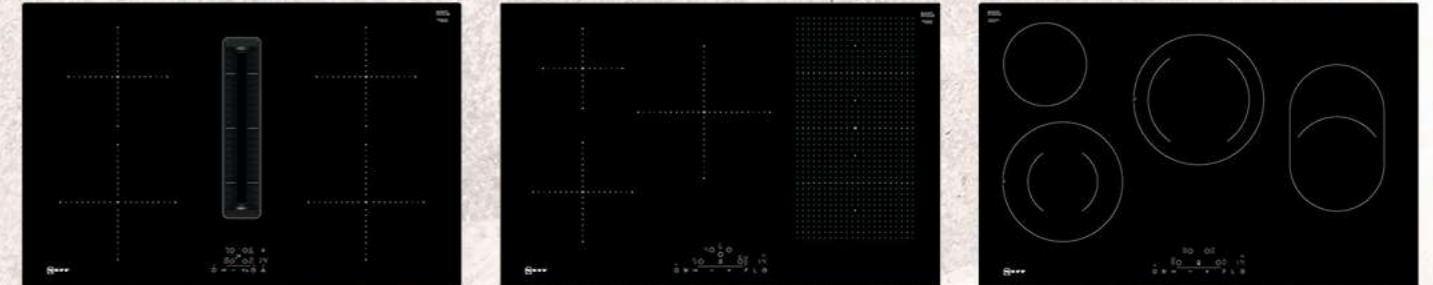
90cm Wide Hobs



FLEX INDUCTION HOBS							
Series	Description	Control Type	Style	Home Connect	Colour	Model Number	Status
N 90	Flex Induction Hob/ 3 Flex Zones / Domino Compatible	TFT Touch Control	Premium Glass on Steel	✓	Black/Stainless Steel Top Trim	T59TF6RN0	
N 90	Flex Induction Hob/2 Flex Zones & 32cm Triple Zone	Anthracite Grey Twist Pad®	Front Bevel		Black/Stainless Steel Top Trim	T69FUV4L0	

GAS HOBS							
Series	Description	Control Type	Style	Home Connect	Colour	Model Number	Status
N90	Ceramic Black Glass / 5 Burner	Flame Select	Black Glass on Stainless Steel		Ceramic Black Glass	T29TS79N0	
N 70	Stainless Steel Gas Hob / Black Glass Trim / Residual Heat	FlameSelect®	Frameless		Stainless Steel / Cast Iron Supports	T29DA69N0	Discontinuing November 2023
N 70	Stainless Steel Gas Hob	FlameSelect®	Frameless		Stainless Steel / Cast Iron Supports	T29DS69N0	

80cm Wide Hobs



VENTING HOBS							
Series	Description	Control Type	Style	Home Connect	Colour	Model Number	Status
N 90	Flex Induction Venting Hob	TwistpadFire®	Premium Glass on Steel	✓	Black/Stainless Steel Top Trim	T58TL6EN2	
N 70	Combi Zone Induction Venting Hob	Touch Control	Premium Glass on Steel		Black/Stainless Steel Top Trim	T48TD7BN2	
N50	Flex Induction Venting Hob	Touch Control	Frameless		Black Glass	T48CB1AX2	Discontinuing November 2023
N50	Combi Zone Induction Hob	Touch Control	Frameless		Black Glass	V58NBS1L0	

FLEX INDUCTION HOBS							
Series	Description	Control Type	Style	Home Connect	Colour	Model Number	Status
N 90	Flex Induction Hob / 2 Flex Zones / Domino Compatible	TFT	Premium Glass on Steel	✓	Black/Stainless Steel Top Trim	T68TF6RN0	
N 90	Flex Induction hob / 1 Flex Zone/ 3 Zones	Anthracite Grey Twist Pad®	Front Bevel	✓	Black/Stainless Steel Top Trim	T68FUV4L0	
N 70	Flex Induction Hob / 1 Flex Zone	Touch Control	Front Bevel		Black Glass	T58FD20X0	

COMBIZONE INDUCTION HOBS							
Series	Description	Control Type	Style	Home Connect	Colour	Model Number	Status
N 70	Induction Hob, Combizone	Touch Control	Flushline		Flush Black Glass	T48PD23X2	
N 70	Induction Hob, Combizone	Touch Control	Front Bevel		Black Glass	T48FD23X2	

CERAMIC HOB							
Series	Description	Control Type	Style	Home Connect	Colour	Model Number	Status
N 70	Electric Hob / 4 Zones	Touch Control	Front Bevel		Black Glass	TL18HD9F1	Discontinuing September 2023
N 70	Electric Hob / 4 Zones	Touch Control	Front Bevel		Black Glass	T18FDH9L	New September 2023

75cm Wide Hobs



GAS HOBS							
Series	Description	Control Type	Style	Home Connect	Colour	Model Number	Status
N 70	Tempered Glass Gas Hob / 5 Burner /Wok	FlameSelect®	Black Tempered Glass		Black Tempered Glass / Cast Iron Supports	T27CS59S0	
N 70	5 Burner Gas Hob / Wok	FlameSelect® / LED Display	Stainless Steel		Stainless Steel / LED/ Cast Iron Supports	T27DA69N0	
N 70	5 Burner Gas Hob / Wok Burner 5.0kW	FlameSelect®	Stainless Steel		Stainless Steel / Cast Iron Supports	T27DS79N0	Discontinuing November 2023
N 70	5 Burner Gas Hob / Wok Burner 4.0kW	FlameSelect®	Stainless Steel		Stainless Steel / Cast Iron Supports	T27DS59N0	
N 70	5 Burner Gas Hob / Wok Burner 4.0kW	FlameSelect®	Frameless		Black Glass / Cast Iron Supports	T27DS59S0	
N 50	5 Burner Gas Hob / Wok Burner 3.3kW		Stainless Steel		Stainless Steel / Cast Iron Supports	T27BB59N0	

70cm Wide Hobs



FLEX INDUCTION HOBS						
Series	Description	Control Type	Style	Home Connect	Colour	Model Number
N 70	Combi Zone Induction Venting Hob / 2 Combi Zones	Touch Control	Premium Glass on Steel		Black/Stainless Steel Top Trim	T47TD7BN2

60cm Wide Hobs



VENTING HOB							
Series	Description	Control Type	Style	Home Connect	Colour	Model Number	Status
N50	Induction Venting Hob / 4 Individual Zones	Touch Control	Frameless		Black Glass	T46CB4AX2	Discontinuing November 2023
N50	Induction Venting Hob / 4 Individual Zones	Touch Control	Frameless		Black Glass	V56NBS1L0	New December 2023

FLEX INDUCTION HOBS							
Series	Description	Control Type	Style	Home Connect	Colour	Model Number	Status
N 90	Flex Induction Hob / 2 Flex Zones	Twist Pad®	Front Bevel	✓	Black/Stainless Steel Top Trim	T66FHX4L0	Spring 2024
N 70	Flex Induction Hob / 1 Zone	Touch Control	Front Bevel		Black Glass	T56FD50X0	

COMBIZONE INDUCTION HOBS							
N 70	Combi Zone Induction Hob / 4 Zones	Touch Control	Flushline		Flush Black Glass	T46PD53X2	
N 70	Combi Zone Induction Hob / 4 Zones	Touch Control	Front Bevel		Black Glass	T46FD53X2	
N 70	Combi Zone Induction Hob / 4 Zones	Touch Control	Front Bevel		Black Glass	T46FD53X0	
N 30	Combi Zone Induction Hob / 4 Zones	Touch Control	Front Bevel		Black Glass	T36FBE1L0	

PLUG & PLAY INDUCTION HOBS							
N 50	Induction Hob / Plug & Play / 4 Zones / GB Plug	Touch Control	Front Bevel		Black Glass	T36FBE1LOG	
N30	Induction Hob / Plug & Play / 9 Power Levels	Touch Control	Frameless		Black Glass	T36CA50X1U	

CERAMIC HOBS							
Series	Description	Control Type	Style	Home Connect	Colour	Model Number	Status
N 50	Electric Hob / 17 Power Levels	Touch Control	Frameless		Black Glass	TL16EB1N1	Discontinuing September 2023
N 50	Electric Hob / 17 Power Levels	Touch Control	Frameless		Black Glass	T16NBE1L	
N 30	Electric Hob / 9 Power Levels	Side Control Dials	Frameless		Black Glass	TL16EK0N1	Discontinuing September 2023
N 30	Electric Hob / 9 Power Levels	Side Control Dials	Frameless		Black Glass	T16NKE0L	

60cm Gas Hob Range Details overleaf...

60cm Wide Hobs cont...

GAS HOBS							
Series	Description	Control Type	Style	Home Connect	Colour	Model Number	Status
N 90	4 Burner Hob	FlameSelect®	Black Glass on Steel		Black/Stainless Steel Top Trim / Cast Iron Supports	T26TA49N0	Discontinuing November 2023
N 70	4 Burner Hob	FlameSelect®	Flushline		Black Tempered Glass / Cast Iron Supports	T26CA42S0	Discontinuing November 2023
N 70	4 Burner Hob	FlameSelect®	Flushline		Black Tempered Glass / Cast Iron Supports	T26CS49S0	
N 70	4 Burner Hob / 3.5kW Wok Burner	FlameSelect®	Frameless		Stainless Steel / Black Inset LED / Cast Iron Supports	T26DA59N0	Discontinuing November 2023
N 70	4 Burner Hob / 3.5kW Wok Burner	FlameSelect®	Frameless		Stainless Steel / Cast Iron Supports	T26DS59N0	
N 70	4 Burner Hob	FlameSelect®	Frameless		Stainless Steel / Cast Iron Supports	T26DS49N0	
N 70	4 Burner Hob	FlameSelect®	Frameless		Black / Cast Iron Supports	T26DS49S0	
N 50	4 Burner Hob / 3.3kW Wok Burner		Frameless		Stainless steel	T26BB59N0	
N 50	4 Burner Hob		Flushline		Black Tempered Glass/ Cast Iron Supports	T26CB49S0	
N 30	4 Burner Hob		Flushline		Black Tempered Glass/ Cast Iron Supports	T26BR46N0	
N 30	4 Burner Hob		Flushline		Black Tempered Glass/ Cast Iron Supports	T26BR46S0	
N 30	4 Burner Hob		Flushline		Black Tempered Glass/ Cast Iron Supports	T26BR46W0	

40cm / 30cm Wide Domino Hobs



DOMINO HOB							
Series	Description	Control Type	Style	Home Connect	Colour	Model Number	Status
N 90	Wok Domino hob, 6.0kW Wok burner Dishwasher Proof Cast Iron supports	FlameSelect®	Frameless		Stainless steel	N23TS19N0	
N 70	Teppan Yaki Hob	Touch Control	Stainless Steel / Black TFT Control Panel		Black/Stainless Steel Top Trim	N74TD00N0	
N 70	Flex Induction Hob	Touch Control	Premium Glass on Steel		Black/Stainless Steel Top Trim	T63TDX1L0	
N 70	Quick Light Ceramic Hob	Touch Control	Premium Glass on Steel		Black/Stainless Steel Top Trim	T13TDF9L8	
N 70	Gas Domino hob, 2 burner, Dishwasher Proof Cast Iron supports	FlameSelect®	Frameless		Black/Stainless Steel Top Trim	N23TS29N0	

Key Functions Guide

Ceramic & Induction Features



TOUCH CONTROL

Simply select a zone then swipe your finger across the control panel to select a heat mode.



FRYING SENSOR

The sensor automatically adjusts the heat to the pan to maintain an even temperature. This control allows you to cook all dishes to perfection as it maintains a consistent heat preventing overcooking or burning.



TWISTPAD® FIRE

With the removable and illuminated TwistPad® Fire dial you can react to pans bubbling away quickly and easily. Simply point and twist towards your cooking zones to activate and adjust heat.



POWER MOVE

The combi zone offers two heating zones: boiling in front and warming in the rear.



TWIST PAD®

The Twist Pad allows you to precisely adjust the heating degree of pots, frying pans and grills with just one finger touch.



INDUCTION

The heat is generated directly in the cookware for precise cooking that stops when power is off.



COMBIZONE

Individual yet flexible cooking areas can be used independently or linked together to create an expanded cooking zone that is optimised for flex induction.



HOME CONNECT

Control your oven directly from a Smart Device App or Voice Command.



COMBI INDUCTION

2 individual induction cooking zones can be combined to 1 large zone with even heat distribution.



POWERBOOST

Optimised power level function for more flexible and even faster heating.

Gas Features



FLAMESELECT®

Cook everything just right with 9-level FlameSelect®. With FlameSelect® the gas flame adapts to your cooking, offering precise control every time. For the first time ever, cooking with gas is as easy as cooking on an electric hob.

FLAME CONTROL

The flame failure safety device shuts down the supply of gas to the hob if the flame goes out for any reason. The automatic reignition uses a heat sensor to detect if the flame goes out and, if so, will automatically attempt to reignite.

POWER LEVEL DISPLAY

Some gas hobs benefit from a host of features that are usually found on ceramic hobs, including an LED display. The residual heat indicator displays if there is any residual heat on the hob. In the event of a problem with the individual burner the indicator lights also act as warning lights.

CAST IRON PAN SUPPORTS

Firmly hold the pan above the flame, leaving space between the base and the burner. They're used on the majority of our models because of their robust and sturdy nature and tolerance to prolonged contact with heat.

HIGH SPEED BURNERS

Provide a surge of extra power; particularly useful for boiling a large pan of water quickly.

EASY GRIP CONTROLS

Ergonomically designed to be gripped and turned easily, even with wet or greasy hands.



WOK BURNER

The secret of Chinese stir fry cooking is heat and speed. Our Domino wok (N23TS19N0) delivers 6.0kW.

SIMMER SETTING

Excellent for slow simmering, almost all of our gas hobs have a very low burner with a maximum of just 1.0kWh.

Flex Induction Accessories

Flex Induction Accessories

Spanning the length of your FlexInduction zone, our accessories are designed to inspire you in the kitchen. From everyday cooking to theatrical displays, there's an accessory to bring out the best in your favourite dishes.

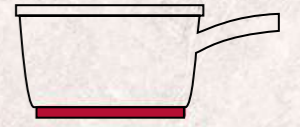
Product	Description	Material	Code	Part Number
Griddle Plate	Surface Area 41.5 x 26.5cm Ideal for cooking steaks, fish, flatbreads and sliced vegetables, an induction griddle plate offers considerably more flexibility than a standard square griddle pan. All accessories within our induction range are easy to clean and dishwasher safe.	Cast Iron	Z9416X2	17000339
Teppan Yaki	Surface Area 41.5 x 26.5cm Inspired by Japanese cooking, our Teppan Yaki plates are a stylish way to cook meat, fish and vegetables. Ideal for sociable cooking, Teppan Yaki plates provide even heat transference for delicious, impressive dishes.	Stainless steel	Z9417X2	17000337 Discontinuing October 2023
Oval Roaster	With our roaster and steam accessory, it's possible to steam on a NEFF induction hob too. Ideal for preparing delicate fish and vegetables, steam cooking is a great way to prepare healthy, nutritious dishes. Oven and dishwasher safe.	Stainless steel	Z9410X1	00573879
Steam Rack for use with Oval Roaster		Stainless steel	Z9415X1	00576118



Saucepans

Saucepans

Ferrous metal saucepans are required for use on an induction hob. To check if a saucepan can be used with an induction hob use our quick magnetic test shown below. NEFF saucepans have been tried and tested to ensure that they offer optimum performance with NEFF hobs.



Magnetic base

Product	Description	Material	Code	Part Number
3 Piece Pan Set	2 x pots, 1 x Pan	Stainless steel	Z943SE0	17004098
4 Piece Pan Set	1 x Saute pan, 2 x Pots with lids, 1 x milk pan	Stainless steel	Z9404SE0	17005721
6 Piece Pan Set	2 x Saute pan, 3 x Pots with lids, 1 x milk pan	Stainless steel	Z9406SE0	17005724
18.5 cm Non Stick Frying Pan		Cast Iron	Z9428FE0	17005718



Venting Hob Installation Options

For the full range of installation accessories see page 80 of the Appliance Line Drawings.

UNDUCTED RECIRCULATION

Why use Unducted Recirculation

- Easy and quick to fit
- Less parts
- Cost effective

Requires no reduction in depth to the bottom two drawers and allows for more design flexibility, for example, floating islands.

Automatic run on of the extractor fan at min power level dries the filters and continues air flow through the service void, removing any potential moisture for extra safety.



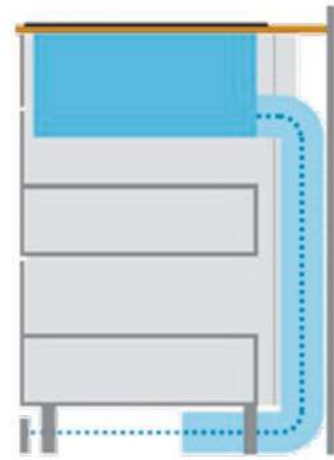
Full Depth Drawers Possible

PARTLY DUCTED RECIRCULATION

Why use Partly Ducted Recirculation

Required when the distance from the back of the appliance to back of the base unit void is greater than 80mm.

Suitable for installations with non insulated walls or where damp has been an issue.



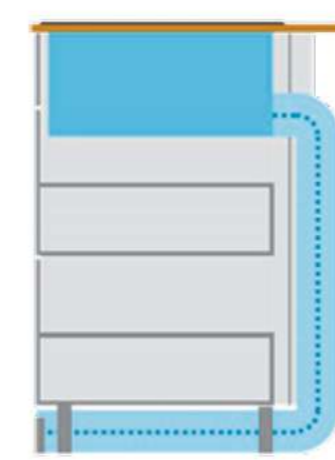
Maximum drawer depth 513mm with 70+cm worktop

FULLY DUCTED RECIRCULATION

Why use Fully Ducted Recirculation

Required when the distance from the back of the appliance to back of the base unit void is greater than 80mm.

Gives total peace of mind for non insulated walls or where damp has been an issue.



Maximum Drawer Depth 513mm with 70+cm worktop

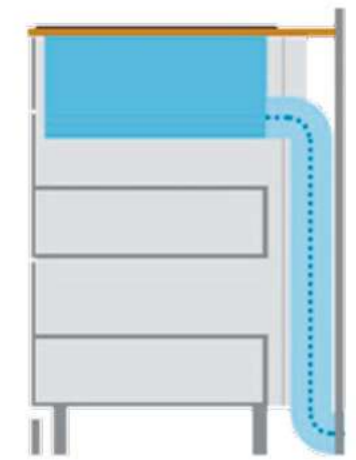
DUCTED OUT EXTRACTION

Why use Ducted Out

Allows the removal of heat and moisture created by cooking, as well as grease and odour.

An improvement of extraction rate over recirculation modes* 615m³h recirculation 622m³h ducted out

*As per test parameters for the energy label declaration.



Maximum Drawer Depth 513mm with 70+ worktop

Installation considerations

What do I need?

- 4 x cleanAir filters and telescopic slider.
- These are supplied as standard with all inductionAir Plus appliances.

Good to know

- Telescopic slider ventilates air from the appliance into the service void. Max expansion of slider 80mm.
- Min requirement of service void 25mm, recommended 50mm min.

Important to note

- This option is NOT suitable for installations with non insulated walls.
- This is the ONLY installation type that uses the telescopic slider.

Installation considerations

What do I need?

- 4 x cleanAir re-circulating filters. Supplied with appliance.
- Starter Kit 1 **Z861KR0** or 2 **Z861KR1** depending on the work surface depth.

Good to know

- Partly Ducted Recirculation takes the air down into the plinth and ventilates in through the plinth cavity.
- This requires greater depth work surface or reduced depth drawers.
- The 94mm ducting height cannot be changed to a slimmer version (reduces effectiveness) using an adaptor, as the 94mm space is still needed for the 90 degree turn from the horizontal to the vertical.

Important to note

- Starter Kits 1 and 2 provide all the required ducting and connectors for this mode of installation.
- The appliance may be fitted with another manufacturers ducting that has a rounded radius (please check compatibility before purchase). You will still need to purchase a **(Z821PD1)** diffuser.

Installation considerations

What do I need?

- 4 x cleanAir re-circulating filters. Supplied with appliance.
- Starter Kit 1 **Z861KR0** or 2 **Z861KR1** depending on the work surface depth
- To fully duct to the plinth an additional straight channel and a connector are required. A 500mm ducting section should be sufficient in most cases depending on worktop depth.

Good to know

- Full Recirculation kit takes air down through the plinth and out into the room via a plinth vent.
- This requires greater depth or reduced depth drawers.
- The 94mm ducting height cannot be changed to a slimmer version (reduces effectiveness) using an adaptor, as the 94mm space is still needed for the 90 degree turn from the horizontal to the vertical.

Important to note

- The appliance maybe fitted with another manufacturers ducting that has a rounded radius (please check compatibility before purchase). You will still need to purchase a **(Z821PD1)** diffuser.

Installation considerations

What do I need?

- Starter Kit 3 **Z861KE1** (Includes 4 acoustic filters, radius bend, connector and 50cm straight channel).
- To complete your installation we can provide additional ducting lengths, connectors and adaptors.

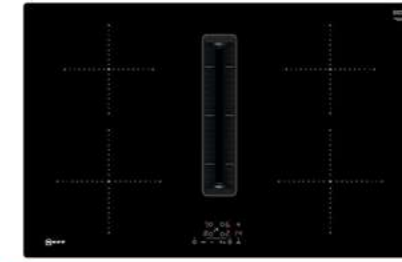
Good to know

- It is also possible to use a fully ducted system, out of the kitchen.
- The acoustic filter kit is still required and is accessed the same way as the recirculation options.
- The Venting hob has been tested with a ducting run of 8 metres with 3 x 90 degree turns and maintaining efficient performance.
- We don't currently offer an external grid to go on the outside wall – this needs to be sourced independently.

Important to note

- The appliance maybe fitted with another manufacturers ducting that has a rounded radius (please check compatibility before purchase) You will still need to purchase **(Z811DU0)** x4 acoustic filters.

Venting Hobs



HomeConnect

Discontinuing December 2023 -
New Model V58NBS1L0

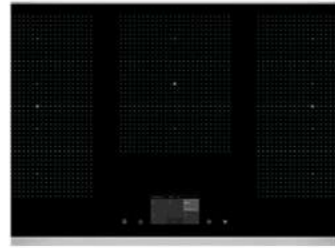
Discontinuing December 2023 -
New Model V56NBS1L0

HOB TYPE		VENTING HOBS			
COLLECTION		N 90		N 70	
MODEL NO.		T58TL6EN2		T48TD7BN2	
DESIGN					
Width	mm	826mm		826mm	
Control position/type		TwistPad®Fire		Touch Control	
Style		Premium Glass on Steel		Premium Glass on Steel	
KEY FEATURES					
Home Connect		●		●	
Integrated extractor		●		●	
Automatic extraction		Fully sensor based		Auto-On	
Power Move		3 stages		2 stages	
Power Transfer automatic setting transfer		●		●	
Frying Sensor		5 settings		4 settings	
Power Boost		●		●	
Flex Induction		●		●	
Number of Flex Induction zones		2		2: Left & Right	
Combi Zone Induction					
HOB FEATURES					
Number of individual zones		4		4	
Power Levels		17		17	
Digital display		●		●	
Count up Timer		●		●	
Main on/off switch / QuickStart / Restart Function		● / ● / ●		● / ● / ●	
Energy Consumption Display		●		●	
Pan Recognition		●		●	
Demo Mode		●		●	
Keep Warm Function		●		●	
SAFETY FEATURES					
Residual Heat Indicator / Wipe Protection Function		● / ●		● / ●	
Timer with automatic switch off for each zone		●		●	
Control Panel Lock / Safety Time Switch off		● / ●		● / ●	
HOOD FEATURES					
Climate Control sensor		●		●	
Power levels		17 + 2 Intensive		17 + 1 Intensive	
Automatic intensive revert setting		6 minutes		6 minutes	
Automatic after running		12 / 30 minutes		30 minutes	
Dishwasher safe grease filter cassette with spillage collection		Yes - 200ml capacity		Yes - 200ml capacity	
Dishwasher safe spillage overflow collector		700ml capacity		700ml capacity	
Electronic grease filter / cleanAir filter saturation indicators		● / ●		● / ●	
PERFORMANCE / TECHNICAL INFORMATION – HOB					
Nominal voltage / Maximum power output	V / W	220-240 / 7,400		220-240 / 7,400	
Electrical cable length	cm	110		110	
Rear left flex Induction zone	kW/mm	2.20	200x240	2.20	190x210
Rear right flex Induction zone	kW/mm	2.20	200x240	2.20	190x210
Front left flex Induction zone	kW/mm	2.20	200x240	2.20	190x210
Front right flex Induction zone	kW/mm	2.20	200x240	2.20	190x210
flex Induction zone left	kW/mm	3.30	400x240	3.60	380x210
flex Induction zone right	kW/mm	3.30	400x240	3.60	380x210
Rear left / right zone – with Power Boost	max. kW	3.70 / 3.70		3.70 / 3.70	
Front left / right zone – with Power Boost	max. kW	3.70 / 3.70		3.70 / 3.70	
PERFORMANCE / TECHNICAL INFORMATION – EXTRACTOR					
Extractor energy efficiency rating					
Extraction Rate in m³/h¹²					
Ducted / Recirculating power level Minimum		154 / 150		161 / 154	
Ducted / Recirculating power level Maximum		500 / 500		500 / 500	
Ducted / Recirculating power level Intensive		622 / 615		622 / 615	
Noise level (sound power) based on dB(A) re 1 pW¹³					
Ducted / Recirculating power level Minimum		42 / 41		42 / 41	
Ducted / Recirculating power level Maximum		69 / 68		69 / 68	
Ducted / Recirculating power level Intensive		74 / 72		74 / 72	
Motor power		170		170	

HOB TYPE		VENTING HOBS			
COLLECTION		N 70		N50	
MODEL NO.		T47TD7BN2		T46CB4AX2	
DESIGN					
Width	mm	708mm		802mm	
Control position/type		Touch Control		Touch Control	
Style		Premium Glass on Steel		Frameless	
KEY FEATURES					
Home Connect		●		●	
Integrated extractor		●		●	
Automatic extraction		Auto-On		Auto-On	
Power Move		2 stages		2 stages	
Power Transfer automatic setting transfer		●		●	
Frying Sensor		4 settings		4 settings	
Power Boost		●		●	
Flex Induction		●		●	
Number of Flex Induction zones		2: Left & Right		2: Left & Right	
Combi Zone Induction					
HOB FEATURES					
Number of individual zones		4		4	
Power Levels		17		17	
Digital display		●		●	
Count up Timer		●		●	
Main on/off switch / QuickStart / Restart Function		● / ● / ●		● / ● / ●	
Energy Consumption Display		●		●	
Pan Recognition		●		●	
Demo Mode		●		●	
Keep Warm Function		●		●	
SAFETY FEATURES					
Residual Heat Indicator / Wipe Protection Function		● / ●		● / ●	
Timer with automatic switch off for each zone		●		●	
Control Panel Lock / Safety Time Switch off		● / ●		● / ●	
HOOD FEATURES					
Climate Control sensor		●		●	
Power levels		9 + 2 Intensive		3 + 1 Intensive	
Automatic intensive revert setting		6 minutes		6 minutes	
Automatic after running		12 / 30 minutes		12 / 30 minutes	
Dishwasher safe grease filter cassette with spillage collection		Yes - 200ml capacity		Yes - 200ml capacity	
Dishwasher safe spillage overflow collector		700ml capacity		700ml capacity	
Electronic grease filter / cleanAir filter saturation indicators		● / ●		● / ●	
PERFORMANCE / TECHNICAL INFORMATION – HOB					
Nominal voltage / Maximum power output	V / W	220-240 / 7,400		220-240 / 7,400	
Electrical cable length	cm	110		110	
Rear left flex Induction zone	kW/mm	2.20	190x210	1.80	180
Rear right flex Induction zone	kW/mm	2.20	190x210	1.80	180
Front left flex Induction zone	kW/mm	2.20	190x210	2.20	210
Front right flex Induction zone	kW/mm	2.20	190x210	2.20	210
flex Induction zone left	kW/mm	3.60	380x210	3.60	380x210
flex Induction zone right	kW/mm	3.60	380x210	3.60	380x210
Rear left / right zone – with Power Boost	max. kW	3.70 / 3.70		3.10 / 3.10	
Front left / right zone – with Power Boost	max. kW	3.70 / 3.70		3.70 / 3.70	
PERFORMANCE / TECHNICAL INFORMATION – EXTRACTOR					
Extractor energy efficiency rating					
Extraction Rate in m³/h¹²					
Ducted / Recirculating power level Minimum		154 / 150		332 / 327	
Ducted / Recirculating power level Maximum		500 / 500		500 / 500	
Ducted / Recirculating power level Intensive		622 / 615		575 / 565	
Noise level (sound power) based on dB(A) re 1 pW¹³					
Ducted / Recirculating power level Minimum		42 / 41		60 / 58	
Ducted / Recirculating power level Maximum		69 / 68		68 / 68	
Ducted / Recirculating power level Intensive		74 / 72		72 / 70	
Motor power		170		170	

¹ Air flow and noise declarations made in line with CECEC Code Of Conduct. ² Measured according to EN61591 on largest pipe diameter. ³ Sound power measured according to EN60704-3 on largest pipe diameter.

Flex Induction Hobs



Home Connect



Home Connect



Home Connect



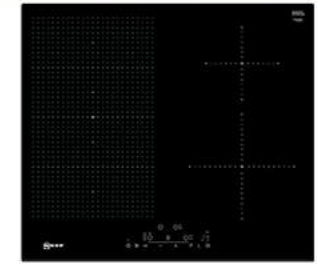
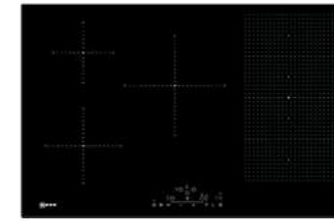
Home Connect

HOB TYPE	FLEXINDUCTION			
COLLECTION	N 90		N 90	
MODEL NO.	T59TF6RN0		T68TF6RN0	
DESIGN				
Width	918mm		826mm	
Control position	Front		Front	
Control type	TFT Control		TFT Control	
Style	Premium glass on steel		Premium Glass on Steel	
KEY FEATURES				
Home Connect	●		●	
HobHood Control	●		●	
5" Full Touch colour display with Dish Categories	●		●	
Power Move	3-steps		3-steps	
Automatic setting transfer	●		●	
Frying Sensor	5 settings		5 settings	
Power Boost	●		●	
Pan Boost	●		●	
Number of Flex Induction zones	3		2	
Extended Flex Induction Zone			2	
Number of Combi Induction zones				
FEATURES				
Number of individual zones	5		4	
Power levels	17		17	
Digital display	●		●	
Count up Timer	●		●	
QuickStart	●		●	
Restart Function	●		●	
Energy Consumption Display	●		●	
Main on/off switch	●		●	
Quick-Off Function				
Pan Recognition	●		●	
Demo Mode	●		●	
Keep Warm Function	●		●	
SAFETY FEATURES				
Residual Heat Indicator	●		●	
Timer with automatic switch off for each zone	●		●	
Control Panel Lock	●		●	
Safety Time Switch off	●		●	
Wipe Protection Function	●		●	
PERFORMANCE / TECHNICAL INFORMATION				
Nominal voltage	220-240		220-240	
Maximum power output	11,100		7,400	
Electrical cable length	110		110	
GB plug				
Rear left FlexInduction zone - power	2.20	200x240	2.20	200x230
Rear left zone power				
Rear right FlexInduction zone - power	2.20	200x240	2.20	200x230
Rear right zone power				
Rear Centre zone power	2.60	300x240		
Front Centre zone power				
Front left FlexInduction zone - power	2.20	200x240	2.20	200x230
Front left zone power				
Front right FlexInduction zone - power	2.20	200x240	2.20	200x230
Front right zone power				
FlexInduction Zone left power	3.30	400x240	3.30	400x230
FlexInduction Zone right power	3.30	400x240	3.30	400x230
Extended FlexInduction rear left - power			3.30	300x300
Extended FlexInduction rear right - power			3.30	300x300
CombiZone left power				
CombiZone right power				
Rear left zone with powerBoost (max. kW)	3.70		3.70	
Rear right zone with powerBoost (max. kW)	3.70		3.70	
Rear Centre zone with powerBoost (max. kW)	3.70			
Front Centre zone with powerBoost (max. kW)				
Front left zone with powerBoost (max. kW)	3.70		3.70	
Front right zone with powerBoost (max. kW)	3.70		3.70	

HOB TYPE	FLEXINDUCTION			
COLLECTION	N 90		N 90	
MODEL NO.	T69FUV4L0		T68FUV4L0	
DESIGN				
Width	918mm		802mm	
Control position	Front		Front	
Control type	Twistpad®Fire		Twistpad®Fire	
Style	Premium Glass on Steel		Premium Glass on Steel	
KEY FEATURES				
Home Connect	●		●	
HobHood Control	●		●	
5" Full Touch colour display with Dish Categories	●		●	
Power Move	3-steps			
Automatic setting transfer	●		●	
Frying Sensor	11 settings		11 settings	
Power Boost	●		●	
Pan Boost	●		●	
Number of Flex Induction zones	2		1	
Extended Flex Induction Zone				
Number of Combi Induction zones				
FEATURES				
Number of individual zones	5		4	
Power levels	17		17	
Digital display	●		●	
Count up Timer	●		●	
QuickStart	●		●	
Restart Function	●		●	
Energy Consumption Display	●		●	
Main on/off switch	●		●	
Quick-Off Function				
Pan Recognition	●		●	
Demo Mode	●		●	
Keep Warm Function	●		●	
SAFETY FEATURES				
Residual Heat Indicator	Residual heat indicator: separate		Residual heat indicator: separate	
Timer with automatic switch off for each zone	●		●	
Control Panel Lock	●		●	
Safety Time Switch off	●		●	
Wipe Protection Function	●		●	
PERFORMANCE / TECHNICAL INFORMATION				
Nominal voltage	220-240		220-240	
Maximum power output	11,100		7,400	
Electrical cable length	110		110	
GB plug				
Rear left FlexInduction zone - power	2.20	200x230	2.20	200x240
Rear left zone power				
Rear right FlexInduction zone - power	2.20	200x230	2.20	200x240
Rear right zone power				
Rear Centre zone power	2.20	260x320	3.30	300x240
Front Centre zone power				
Front left FlexInduction zone - power	2.20	200x230	2.20	200x240
Front left zone power				
Front right FlexInduction zone - power	2.20	200x230	2.20	200x240
Front right zone power				
FlexInduction Zone left power	3.30	400x240	3.30	400x240
FlexInduction Zone right power	3.30	400x240	3.30	400x240
Extended FlexInduction rear left - power				
Extended FlexInduction rear right - power				
CombiZone left power				
CombiZone right power				
Rear left zone with powerBoost (max. kW)	3.70		3.70	
Rear right zone with powerBoost (max. kW)	3.70		3.70	
Rear Centre zone with powerBoost (max. kW)	3.70		3.70	
Front Centre zone with powerBoost (max. kW)				
Front left zone with powerBoost (max. kW)	3.70		3.70	
Front right zone with powerBoost (max. kW)	3.70		3.70	

All models comply with COMMISSION REGULATION (EC) No 1275/2008 with regard to ecodesign requirements for standby and off mode electric power consumption, 14.6kW power output (20A), Current management options for 16A, 13A or 10A connection. *MasterPartner® and AAR product only.

Flex Induction Hobs



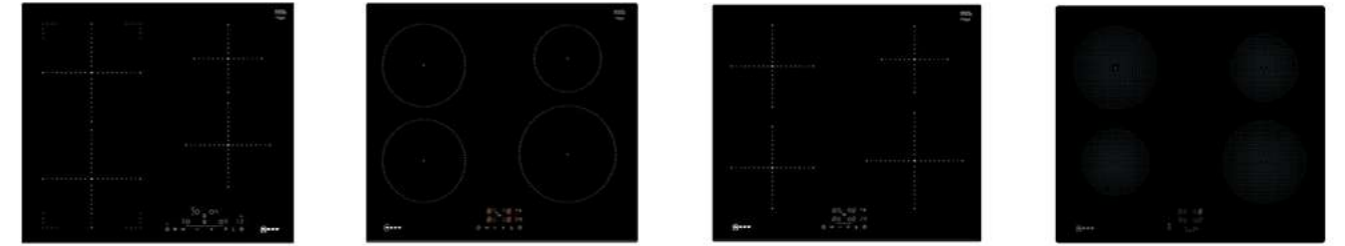
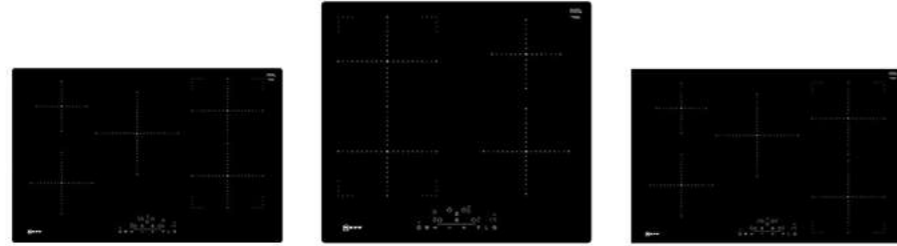
Discontinuing Spring 2024 -
New Model T66FHX4L0

HOB TYPE	FLEXINDUCTION			
	N 70		N 70	
COLLECTION	T69FUV4L0		T68FUV4L0	
MODEL NO.	T69FUV4L0		T68FUV4L0	
DESIGN				
Width	mm	918mm	802mm	
Control position		Front	Front	
Control type		Twistpad®	Twistpad®	
Style		Front Bevel	Front Bevel	
KEY FEATURES				
Home Connect				
Hob-Hood Control				
5" Full Touch colour display with Dish Categories				
Power Move		3-steps	3-steps	
Automatic setting transfer				
Frying Sensor				
Power Boost		•	•	
Pan Boost		•	•	
Number of Flex Induction zones		2	1	
Extended Flex Induction Zone				
Number of Combi Induction zones				
FEATURES				
Number of individual zones		5	5	
Power levels		17	17	
Digital display		•	•	
Count up Timer		•	•	
QuickStart		•	•	
Restart Function		•	•	
Energy Consumption Display		•	•	
Main on/off switch		•	•	
Quick-Off Function				
Pan Recognition		•	•	
Demo Mode		•	•	
Keep Warm Function		•	•	
SAFETY FEATURES				
Residual Heat Indicator				
Timer with automatic switch off for each zone				
Control Panel Lock				
Safety Time Switch off				
Wipe Protection Function				
PERFORMANCE / TECHNICAL INFORMATION				
Nominal voltage	V	220-240	220-240	
Maximum power output	W	11,100	7,400	
Electrical cable length	cm	110	110	
GB plug				
Rear left FlexInduction zone - power	kW/mm	2.20	200x230	
Rear left zone - power	kW/mm			1.40
Rear right FlexInduction zone - power	kW/mm	2.20	200x230	2.20
Rear right zone - power	kW/mm			200x210
Rear Centre zone - power	kW/mm	3.30	200x230	2.20
Front Centre zone - power	kW/mm			240
Front left FlexInduction zone - power	kW/mm	2.20	200x230	
Front left zone - power	kW/mm			1.80
Front right FlexInduction zone - power	kW/mm	2.20	200x230	2.20
Front right zone - power	kW/mm			200x210
FlexInduction Zone left - power	kW/mm	3.30	400x230	
FlexInduction Zone right - power	kW/mm	3.30	400x230	3.30
Extended FlexInduction rear left - power	kW/mm			
Extended FlexInduction rear right - power	kW/mm			
CombiZone left - power	kW/mm			
CombiZone right - power	kW/mm			
Rear left zone - with powerBoost	(max. kW)	3.70		2.20
Rear right zone - with powerBoost	(max. kW)	3.70		3.70
Rear Centre zone - with powerBoost	(max. kW)	3.70		3.70
Front Centre zone - with powerBoost	(max. kW)			
Front left zone - with powerBoost	(max. kW)	3.70		3.10
Front right zone - with powerBoost	(max. kW)	3.70		3.70

HOB TYPE	FLEXINDUCTION			
	N 70		N 70	
COLLECTION	T56FT60X0		T58FD20X0	
MODEL NO.	T56FT60X0		T58FD20X0	
DESIGN				
Width	mm	592mm	802mm	592mm
Control position		Front	Front	Front
Control type		Twistpad®	Touch Control	Touch Control
Style		Front Bevel	Front Bevel	Front Bevel
KEY FEATURES				
Home Connect				
Hob-Hood Control				
5" Full Touch colour display with Dish Categories				
Power Move		3-steps		
Automatic setting transfer				
Frying Sensor				
Power Boost		•	•	•
Pan Boost		•		
Number of Flex Induction zones		2	1	1
Extended Flex Induction Zone				
Number of Combi Induction zones				
FEATURES				
Number of individual zones		4	5	4
Power levels		17	17	17
Digital display		•	•	•
Count up Timer		•		
QuickStart		•	•	•
Restart Function		•	•	•
Energy Consumption Display		•	•	•
Main on/off switch		•	•	•
Quick-Off Function				
Pan Recognition		•	•	•
Demo Mode		•		
Keep Warm Function		•	•	•
SAFETY FEATURES				
Residual Heat Indicator				
Timer with automatic switch off for each zone				
Control Panel Lock				
Safety Time Switch off				
Wipe Protection Function				
PERFORMANCE / TECHNICAL INFORMATION				
Nominal voltage	V	220-240	220-240	220-240
Maximum power output	W	7,400	7,400	7,400
Electrical cable length	cm	110	110	110
GB plug				
Rear left FlexInduction zone - power	kW/mm	2.20	190x240	2.20
Rear left zone - power	kW/mm			1.40
Rear right FlexInduction zone - power	kW/mm	2.20	190x240	2.20
Rear right zone - power	kW/mm			200x210
Rear Centre zone - power	kW/mm			2.20
Front Centre zone - power	kW/mm			240
Front left FlexInduction zone - power	kW/mm	2.20	190x240	2.20
Front left zone - power	kW/mm			1.80
Front right FlexInduction zone - power	kW/mm	2.20	190x240	2.20
Front right zone - power	kW/mm			200x210
FlexInduction Zone left - power	kW/mm	3.30	380x240	3.30
FlexInduction Zone right - power	kW/mm	3.30	380x240	3.30
Extended FlexInduction rear left - power	kW/mm			
Extended FlexInduction rear right - power	kW/mm			
CombiZone left - power	kW/mm			
CombiZone right - power	kW/mm			
Rear left zone - with powerBoost	(max. kW)	3.70		2.20
Rear right zone - with powerBoost	(max. kW)	3.70		3.70
Rear Centre zone - with powerBoost	(max. kW)	3.70		3.70
Front Centre zone - with powerBoost	(max. kW)			
Front left zone - with powerBoost	(max. kW)	3.70		3.10
Front right zone - with powerBoost	(max. kW)	3.70		3.70

All models comply with COMMISSION REGULATION (EC) No 1275/2008 with regard to ecodesign requirements for standby and off mode electric power consumption, 14.6kW power output (20A), Current management options for 16A, 13A or 10A connection. *MasterPartner® and AAR product only.

Induction Hobs

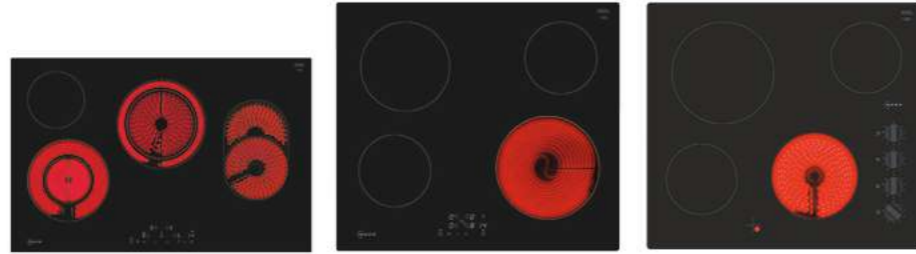


HOB TYPE	INDUCTION					
COLLECTION	N 70		N 70		N 70	
MODEL NO.	T48PD23X2		T46PD53X2		T48FD23X2	
DESIGN						
Width	792mm		572mm		802mm	
Control position	Front		Front		Front	
Control type	Touch Control		Touch Control		Touch Control	
Style	Flushline		Flushline		Front Bevel	
KEY FEATURES						
HomeConnect						
Hob-Hood Control						
5" Full Touch colour display						
Power Move	2-steps		2-steps		2-steps	
Automatic setting transfer						
Frying Sensor						
Power Boost	●		●		●	
Pan Boost						
Number of flexInduction zones						
Extended flexInduction Zone						
Number of combiZones	1		1		1	
FEATURES						
Number of individual zones	5		4		5	
Power levels	17		17		17	
Digital display	●		●		●	
Count up Timer						
QuickStart	●		●		●	
Restart Function	●		●		●	
Energy Consumption Display	●		●		●	
Main on/off switch	●		●		●	
Quick-Off Function	●		●		●	
Pan Recognition	●		●		●	
Demo Mode						
Keep Warm Function	●		●		●	
SAFETY FEATURES						
Residual Heat Indicator						
Timer with automatic switch off for each zone						
Control Panel Lock						
Safety Time Switch off						
Wipe Protection Function						
PERFORMANCE / TECHNICAL INFORMATION						
Nominal voltage	220-240		220-240		220-240	
Maximum power output	7,400		6,900		7,400	
Electrical cable length	110		110		110	
GB plug						
Rear left FlexInduction zone - power	kW/mm		kW/mm		kW/mm	
Rear left zone - power	1.40	145	2.20	190x210	1.40	145
Rear right FlexInduction zone - power	kW/mm		kW/mm		kW/mm	
Rear right zone - power	2.20	190x210	1.40	145	2.20	190x210
Rear Centre zone - power	2.20	240	2.20	240	2.20	240
Front Centre zone - power	kW/mm					
Front left FlexInduction zone - power	kW/mm		kW/mm		kW/mm	
Front left zone - power	1.80	180	2.20	190x210	1.80	180
Front right FlexInduction zone - power	kW/mm		kW/mm		kW/mm	
Front right zone - power	2.20	190x210	1.80	180	2.20	190x210
FlexInduction Zone left - power	kW/mm					
FlexInduction Zone right - power	kW/mm					
Extended FlexInduction rear left - power	kW/mm					
Extended FlexInduction rear right - power	kW/mm					
CombiZone left - power	kW/mm		kW/mm		kW/mm	
CombiZone right - power	3.6	380x210	3.6	380x210	3.6	380x210
Rear left zone - with powerBoost (max. kW)	2.20		3.70		2.20	
Rear right zone - with powerBoost (max. kW)	3.70		2.20		3.70	
Rear Centre zone - with powerBoost (max. kW)	3.70				3.70	
Front Centre zone - with powerBoost (max. kW)						
Front left zone - with powerBoost (max. kW)	3.10		3.70		3.10	
Front right zone - with powerBoost (max. kW)	3.70		3.10		3.70	

	INDUCTION							
	N 70		N 30		N 30		N 30	
	T46FD53X2		T36FBE1L0		T36FBE1LOG		T36CA50X1U	
Width	592mm		592mm		592mm		592mm	
Control position	Front		Front		Front		Front	
Control type	Touch Control		Touch Control		Touch Control		Touch Control Basic	
Style	Front Bevel		Front bevel		Frameless		Frameless	
KEY FEATURES								
HomeConnect								
Hob-Hood Control								
5" Full Touch colour display								
Power Move	2-steps							
Automatic setting transfer								
Frying Sensor								
Power Boost	●		●		●		Rear left only	
Pan Boost								
Number of flexInduction zones								
Extended flexInduction Zone								
Number of combiZones	1							
FEATURES								
Number of individual zones	4		4		4		4	
Power levels	17		17		17		9	
Digital display	●		●		●		●	
Count up Timer								
QuickStart	●		●		●		●	
Restart Function	●		●		●		●	
Energy Consumption Display	●		●		●		●	
Main on/off switch	●		●		●		●	
Quick-Off Function	●		●		●		●	
Pan Recognition	●		●		●		●	
Demo Mode								
Keep Warm Function	●							
SAFETY FEATURES								
Residual Heat Indicator								
Timer with automatic switch off for each zone								
Control Panel Lock								
Safety Time Switch off								
Wipe Protection Function								
PERFORMANCE / TECHNICAL INFORMATION								
Nominal voltage	220-240		220-240		220-240		220-240	
Maximum power output	6,900		4,600		3,700		3,700	
Electrical cable length	110		110		110		110	
GB plug					●		●	
Rear left FlexInduction zone - power	kW/mm		kW/mm		kW/mm		kW/mm	
Rear left zone - power	2.20	190x210	1.80	180	1.80	180	1.80	180
Rear right FlexInduction zone - power	kW/mm		kW/mm		kW/mm		kW/mm	
Rear right zone - power	1.40	145	1.40	145	1.40	145	1.40	145
Front Centre zone - power	kW/mm							
Front left FlexInduction zone - power	kW/mm		kW/mm		kW/mm		kW/mm	
Front left zone - power	2.20	190x210	1.80	180	1.80	180	1.40	145
Front right FlexInduction zone - power	kW/mm		kW/mm		kW/mm		kW/mm	
Front right zone - power	1.80	180	2.20	210	2.20	210	1.80	180
FlexInduction Zone left - power	kW/mm							
FlexInduction Zone right - power	kW/mm							
Extended FlexInduction rear left - power	kW/mm							
Extended FlexInduction rear right - power	kW/mm							
CombiZone left - power	kW/mm		kW/mm		kW/mm		kW/mm	
CombiZone right - power	3.6		3.6		3.6		3.6	
Rear left zone - with powerBoost (max. kW)	3.70				3.00		3.10	
Rear right zone - with powerBoost (max. kW)	2.20				2.20			
Rear Centre zone - with powerBoost (max. kW)							3.10	
Front Centre zone - with powerBoost (max. kW)								
Front left zone - with powerBoost (max. kW)	3.70		3.10		3.00			
Front right zone - with powerBoost (max. kW)	3.10		3.70		3.00			

All models comply with COMMISSION REGULATION (EC) No 1275/2008 with regard to ecodesign requirements for standby and off mode electric power consumption, 14.6kW power output (20A), Current management options for 16A, 13A or 10A connection. *MasterPartner® and AAR product only.

Ceramic Hobs



HOB TYPE	QUICKLIGHT HOBS					
COLLECTION	N 70		N 50		N 30	
MODEL NO.	T18FDH9L		T16NBE1L		T16NKE0L	
COLOUR						
Width	mm 802		592		592	
Control position	Front		Front		Side	
Control type	Touch Control		Touch Control		Control Dials	
Style	Front Bevel		Frameless		Frameless	
FEATURES						
Number of individual zones	4		4		4	
No. of dual zones	2		1		1	
No. of extendable zones	1					
Power Boost	Centre; Front Left		Front Right			
Power levels	17		17		9	
Digital display	●		●		●	
Restart function	●		●			
Energy consumption display	●		●			
Main on/off switch	●		●			
Keep warm function	●		●			
SAFETY FEATURES						
Residual heat indicator	●		●		●	
Timer with automatic switch off for each zone	●		●			
Control panel lock	●		●			
Safety time switch off	●		●			
Wipe protection function	●		●			
PERFORMANCE/TECHNICAL INFORMATION						
Nominal voltage	V 220-240		220-240		220-240	
Maximum power output	W 9,300		6,600		6,600	
Electrical cable length	cm 110		110		110	
GB plug						
Rear left zone	kW/mm 1.2	145	2.0	180	2.2kW	210mm
Rear right zone	kW/mm		1.2	145	1.2kW	145mm
Rear centre zone	kW/mm 1.7-2.4	180-230				
Front centre zone	kW/mm					
Front left zone	kW/mm 0.8-2.1	120-210	1.2	145	1.2kW	145mm
Front right zone	kW/mm 1.8-2.6	170-265	0.8-2.1	210	2kW	180mm
Rear left zone – with Power Boost	max. kW					
Rear right zone – with Power Boost	max. kW					
Rear centre zone – with Power Boost	max. kW	3.4				
Front centre zone – with Power Boost	max. kW					
Front left zone – with Power Boost	max. kW					
Front right zone – with Power Boost	max. kW	2.6	2.6			

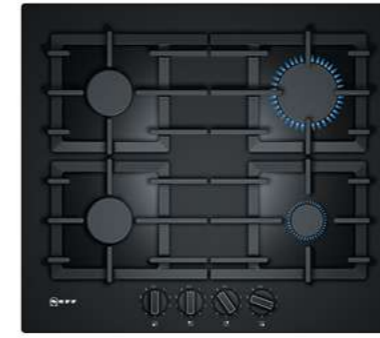
Domino Hobs



HOB TYPE	TEPPAN YAKI	FLEXINDUCTION	RADIANT CERAMIC QUICKLIGHT	GAS DOMINO	
COLLECTION	N 70	N 70	N 70	N 90	N 90
MODEL NO.	N74TD00N0	T63TDX1L0	T13TDF9L8	N23TS29N0	N23TS19N0
DESIGN					
Width	mm 396	306	306	306	306
Control position	Front	Front	Front	Front	Front
Control type	Touch control	Touch control	Touch control	Mechanical	Mechanical
Style	Ceramic glass / Stainless steel	Ceramic glass	Bevelled front edge	Ceramic glass	Ceramic glass
FEATURES					
FlameSelect®		1		●	
FlexInduction zones		1			
Number of individual zones	2	2	2	2	1
No. of dual zones/dual circuit wok style burner			1		
No. of extendable zones	1	1			
Power Boost		●	●		
Pan Boost		●	●		
Power levels	17	17	17	9	9
Digital display	●	●			●
Timer with automatic switch off for each zone	●	●			
Keep warm function	●	●			
Wipe protection function		●			
Pre-set for natural gas				●	●
Safety cut-out facility				●	●
Low profile single piece burners				●	●
Cast iron pan supports				●	1
SAFETY FEATURES					
Main on/off switch	●	●	●		●
Two stage residual heat indicators	●	●	●		●
Safety lock	●	●	●		●
Timed safety switch off	●	●	●		●
PERFORMANCE/TECHNICAL INFORMATION					
Nominal voltage	V 220-240	220-240	220-240	220-240	220-240
Maximum power output	W 1,900	3,700	3,500	6,000	4,700
Electrical cable length	cm 100	110	100	100	100
GB plug					
Rear zone	kW/mm 0.95	2.2	1.2	145	2.80
Front zone	kW/mm	2.2	1.0 2.0	120/180	1.90
Centre/centre front burner power	kW			6.0	6.1
Extended flexInduction	kW/mm	3.3			
Rear zone – with power Boost	max. kW	3.7			
Front zone – with power Boost	max. kW	3.7	2.3		
STANDARD ACCESSORIES					
Removable ceramic glass cover	●				
Teppan Yaki spatula	●				
Wok stand					●
LPG jets				●	●
OPTIONAL ACCESSORIES					
Connecting links for installation with domino hob	Z9914X0	Z9914X0	Z9914X0		
Set of 4 pans (3 x pans, 1 x sauté pan)		Z9442X0			
Rectangular roasting pan with lid (approx. 320x200mm)		Z9410X1			
Steamer pan insert of use with HEZ390011 roasting pan		Z9415X1			
Teppan Yaki (approx. 300x200mm)		Z9417X2			
Teppan Yaki (approx. 400x200mm)		Z9418X0			
Griddle plate (approx. 400x200mm)		Z9416X2			

All models comply with COMMISSION REGULATION (EC) No 1275/2008 with regard to ecodesign requirements for standby and off mode electric power consumption. 14.6kW power output (20A), Current management options for 16A, 13A or 10A connection. *MasterPartner® and AAR product only.

Gas Hobs

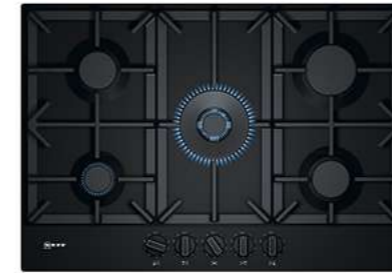


Discontinuing November 2023

COLLECTION	N 90	N 70
STAINLESS STEEL / STAINLESS STEEL TRIM	T29TS79N0	
BLACK / PREMIUM BLACK		T27CS59S0
WHITE / PREMIUM WHITE		
DESIGN		
Width	918	752
Control position	Front	Front
Hob surface type	Ceramic glass	Tempered glass
KEY FEATURES		
FlameSelect	●	752
Digital power level display	●	Front
Black control panel insert	●	Tempered glass
Number of dual circuit wok style burners	1	752
High power (5.0kW+) wok burner	●	Front
Dual control wok burner	●	Tempered glass
FEATURES		
Number of cooking zones	5	5
Individual power levels	9	9
Variable power levels		
Ignition via control dials	●	●
Flame failure safety device	●	●
Cast iron pan supports (number)	3	5
Cast iron finish pan supports (number)		
Enamelled steel pan supports	●	
Combine with other Top Trim models using Connecting link	●	
PERFORMANCE / TECHNICAL INFORMATION		
Nominal voltage	220-240	220-240
Maximum gas power output load	13,800	11,500
Total connected electrical load	2.0	1.1
Cable length	150	100
GB plug		
Left burner power	6.00	
Front left burner power		1.00
Back left burner power		1.75
Centre/Centre front burner power	1.10	4.00
Centre back burner power	1.90	
Front right burner power	1.90	1.75
Back right burner power	2.80	3.00
Right burner power		
Pre-set for natural gas	●	●
CE Marked	●	●
STANDARD ACCESSORY		
Wok stand	●	
LPG jets	28-30/37mbar	28-30/37mbar
OPTIONAL ACCESSORY		
Connecting link to combine with other	Z9914X0	

N 70	N 70
T26CS49S0	T26DA59N0
590	582
Front	Front
Tempered glass	Metal
●	●
	●
	●
	1
	●
4	4
9	9
●	●
●	●
4	2
220-240	220-240
7,500	8,000
2.0	2.0
100	100
1.75	1.75
1.75	1.75
1.00	1.00
3.00	3.50
●	●
●	●
28-30/37mbar	28-30/37mbar

Gas Hobs

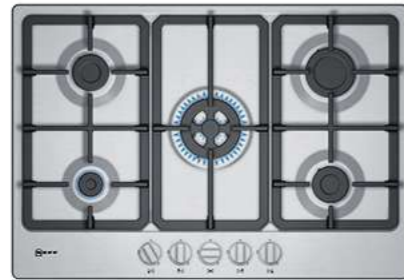


COLLECTION	N 70	N 70
STAINLESS STEEL / STAINLESS STEEL TRIM	T29DS69N0	T27DS79N0
BLACK / PREMIUM BLACK		
WHITE / PREMIUM WHITE		
DESIGN		
Width	mm 915	750
Control position	Front	Front
Hob surface type	Metal	Metal
KEY FEATURES		
FlameSelect	•	•
Digital power level display		
Black control panel insert		
Number of dual circuit wok style burners	1	1
High power (5.0kW+) wok burner	•	•
Dual control wok burner	•	•
FEATURES		
Number of cooking zones	5	5
Individual power levels	9	9
Variable power levels		
Ignition via control dials	•	•
Flame failure safety device	•	•
Cast iron pan supports (number)	3	3
Cast iron finish pan supports (number)		
Enamelled steel pan supports (number)		
Combine with other Top Trim models using Connecting link		
PERFORMANCE / TECHNICAL INFORMATION		
Nominal voltage	V 220-240	220-240
Maximum gas power output load	W 12,500	11,500
Total connected electrical load	max. W 1.1	1.1
Cable length	cm 150	100
GB plug		
Left burner power	kW	5.00
Front left burner power	kW 1.00	
Back left burner power	kW 1.75	
Centre/Centre front burner power	kW 5.00	1.00
Centre back burner power	kW	1.75
Front right burner power	kW 1.75	
Back right burner power	kW 3.00	3.00
Right burner power	kW	
Pre-set for natural gas	•	•
CE Marked	•	•
STANDARD ACCESSORY		
Wok stand		
LPG jets	28-30/37mbar	28-30/37mbar
OPTIONAL ACCESSORY		
Connecting link to combine with other		

N 70	N 70	N 70
T27DS59N0	T26DS59N0	T26DS49N0
T27DS59S0		T26DS49S0
DESIGN		
Width	mm 750	582
Control position	Front	Front
Hob surface type	Metal	Metal
KEY FEATURES		
FlameSelect	•	•
Digital power level display		
Black control panel insert		
Number of dual circuit wok style burners	1	1
High power (5.0kW+) wok burner	•	•
Dual control wok burner	•	•
FEATURES		
Number of cooking zones	5	4
Individual power levels	9	9
Variable power levels		
Ignition via control dials	•	•
Flame failure safety device	•	•
Cast iron pan supports (number)	3	2
Cast iron finish pan supports (number)		
Enamelled steel pan supports (number)		
Combine with other Top Trim models using Connecting link		
PERFORMANCE / TECHNICAL INFORMATION		
Nominal voltage	V 220-240	220-240
Maximum gas power output load	W 11,500	8,000
Total connected electrical load	max. W 1.1	1.1
Cable length	cm 100	100
GB plug		
Left burner power	kW	
Front left burner power	kW 1.00	1.75
Back left burner power	kW 1.75	1.75
Centre/Centre front burner power	kW 4.00	
Centre back burner power	kW	
Front right burner power	kW 1.75	1.00
Back right burner power	kW 3.00	3.50
Right burner power	kW	
Pre-set for natural gas	•	•
CE Marked	•	•
STANDARD ACCESSORY		
Wok stand		
LPG jets	28-30/37mbar	28-30/37mbar
OPTIONAL ACCESSORY		
Connecting link to combine with other		

All models comply with COMMISSION REGULATION (EC) No 1275/2008 with regard to ecodesign requirements for standby and off mode electric power consumption, 14.6kW power output (20A), Current management options for 16A, 13A or 10A connection. *MasterPartner® and AAR product only.

Gas Hobs



COLLECTION	N50	N50
STAINLESS STEEL / STAINLESS STEEL TRIM	T27BB59N0	T26BB59N0
BLACK / PREMIUM BLACK		
WHITE / PREMIUM WHITE		
DESIGN		
Width	mm 750	582
Control position	Front	Front
Hob surface type	Metal	Metal
KEY FEATURES		
FlameSelect		
Digital power level display		
Black control panel insert		
Number of dual circuit wok style burners	1	1
High power (5.0kW+) wok burner		
Dual control wok burner	•	•
FEATURES		
Number of cooking zones	5	4
Individual power levels		
Variable power levels	•	•
Ignition via control dials	•	•
Flame failure safety device	•	•
Cast iron pan supports (number)	3	2
Cast iron finish pan supports (number)		
Pan Supports Dishwasher safe		
Combine with other Top Trim models using Connecting link		
PERFORMANCE / TECHNICAL INFORMATION		
Nominal voltage	V 220-240	220-240
Maximum gas power output load	W 10,800	7,800
Total connected electrical load	max. W 1.1	1.1
Cable length	cm 150	100
GB plug		
Left burner power	kW	
Front left burner power	kW 1.00	1.75
Back left burner power	kW 1.75	1.75
Centre/Centre front burner power	kW 3.3	
Centre back burner power	kW	
Front right burner power	kW 1.75	1.00
Back right burner power	kW 3.00	3.30
Right burner power	kW	
Pre-set for natural gas	•	•
CE Marked	•	•
STANDARD ACCESSORY		
LPG jets	28-30/37mbar	28-30/37mbar

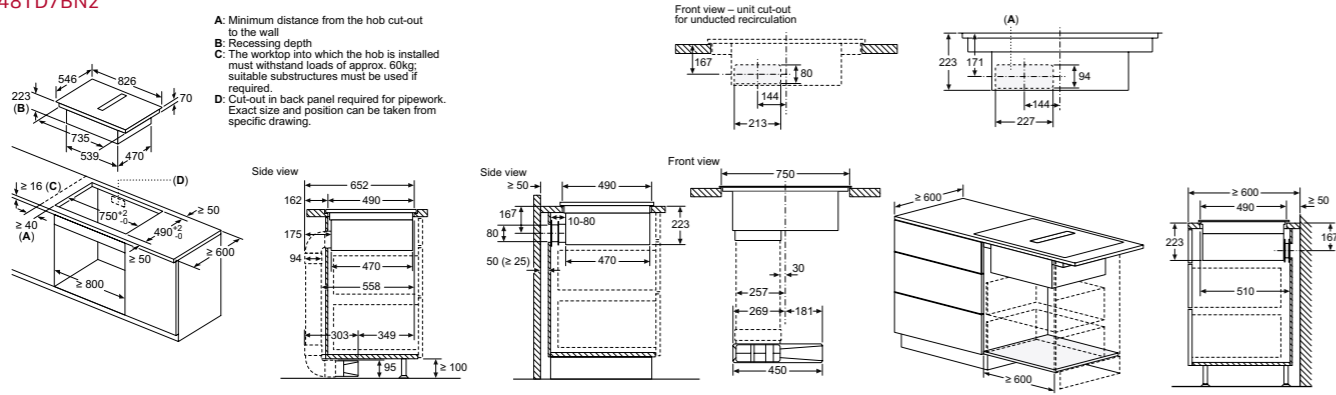
COLLECTION	N 50	N 30
STAINLESS STEEL / STAINLESS STEEL TRIM		T26BR46N0
BLACK / PREMIUM BLACK	T26CB49S0	T26BR46S0
WHITE / PREMIUM WHITE		T26BR46W0
DESIGN		
Width	mm 590	580
Control position	Front	Right Side
Hob surface type	Tempered glass	Metal
KEY FEATURES		
FlameSelect		
Digital power level display		
Black control panel insert		
Number of dual circuit wok style burners		
High power (5.0kW+) wok burner		
Dual control wok burner		
FEATURES		
Number of cooking zones	4	4
Individual power levels		
Variable power levels	•	•
Ignition via control dials	•	•
Flame failure safety device	•	•
Cast iron pan supports (number)	2	
Cast iron finish pan supports (number)		2
Pan Supports Dishwasher safe		
Combine with other Top Trim models using Connecting link		
PERFORMANCE / TECHNICAL INFORMATION		
Nominal voltage	V 220-240	220-240
Maximum gas power output load	W 7,500	7,400
Total connected electrical load	max. W 1.1	0.8
Cable length	cm 100	100
GB plug		
Left burner power	kW	
Front left burner power	kW 1.75	3.00
Back left burner power	kW 1.75	1.70
Centre/Centre front burner power	kW	
Centre back burner power	kW	
Front right burner power	kW 1.00	1.00
Back right burner power	kW 3.00	1.70
Right burner power	kW	
Pre-set for natural gas	•	•
CE Marked	•	•
STANDARD ACCESSORY		
LPG jets	28-30/37mbar	28-30/37mbar

All models comply with COMMISSION REGULATION (EC) No 1275/2008 with regard to ecodesign requirements for standby and off mode electric power consumption, 14.6kW power output (20A), Current management options for 16A, 13A or 10A connection. *MasterPartner® and AAR product only.

Venting Hobs

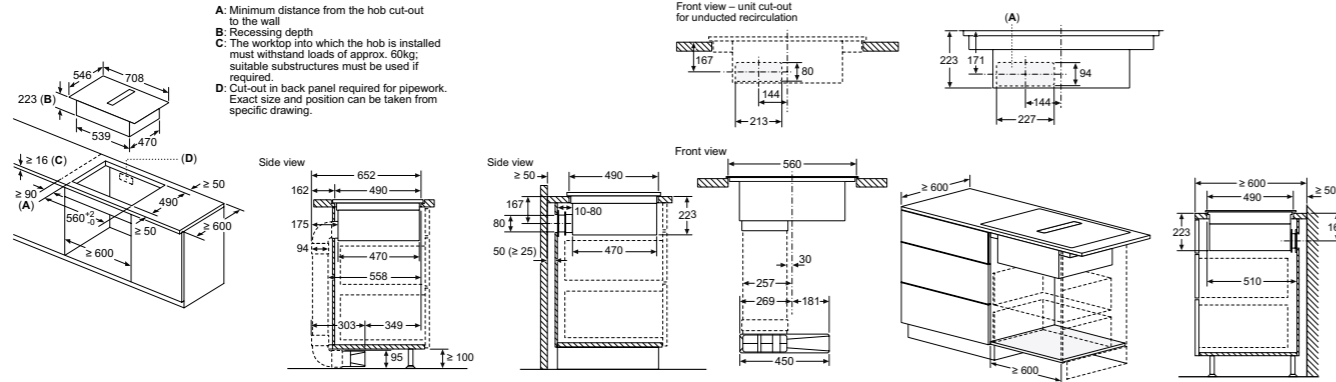
**T58TL6EN2,
T48TD7BN2**

- A: Minimum distance from the hob cut-out to the wall
- B: Recessing depth
- C: The worktop into which the hob is installed must withstand loads of approx. 60kg; suitable substructures must be used if required.
- D: Cut-out in back panel required for pipework. Exact size and position can be taken from specific drawing.



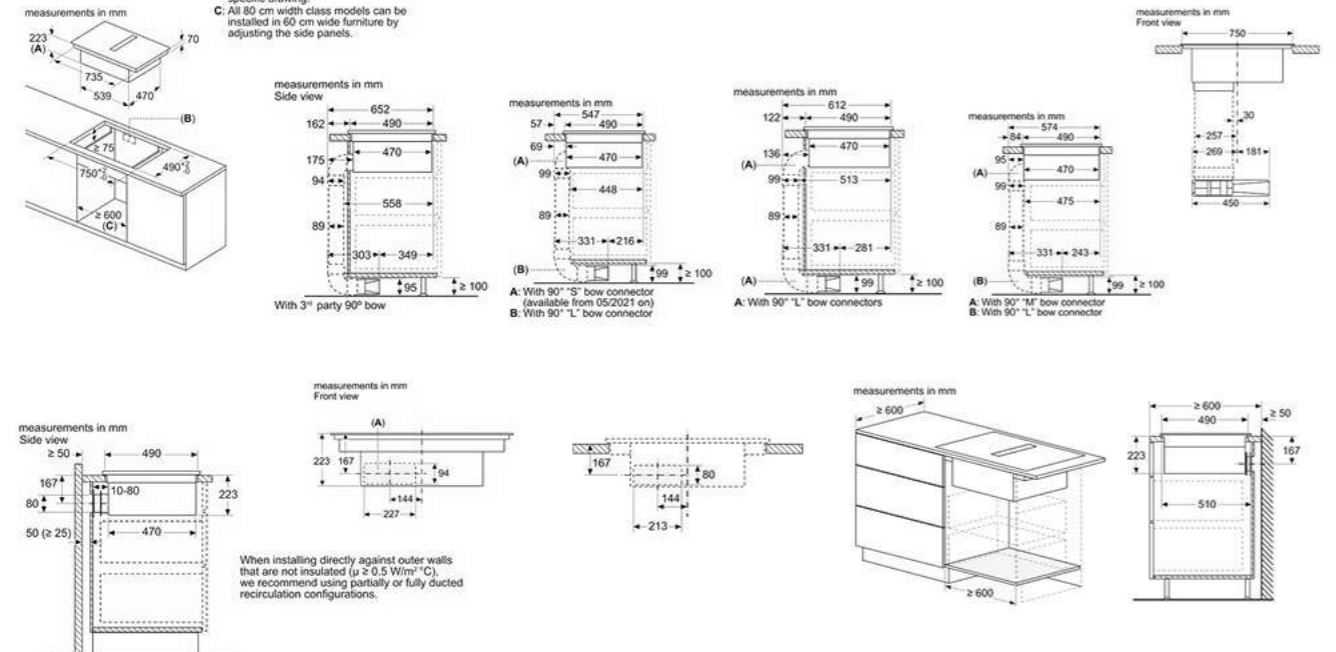
T47TD7BN2

- A: Minimum distance from the hob cut-out to the wall
- B: Recessing depth
- C: The worktop into which the hob is installed must withstand loads of approx. 60kg; suitable substructures must be used if required.
- D: Cut-out in back panel required for pipework. Exact size and position can be taken from specific drawing.



T48CB1AX2

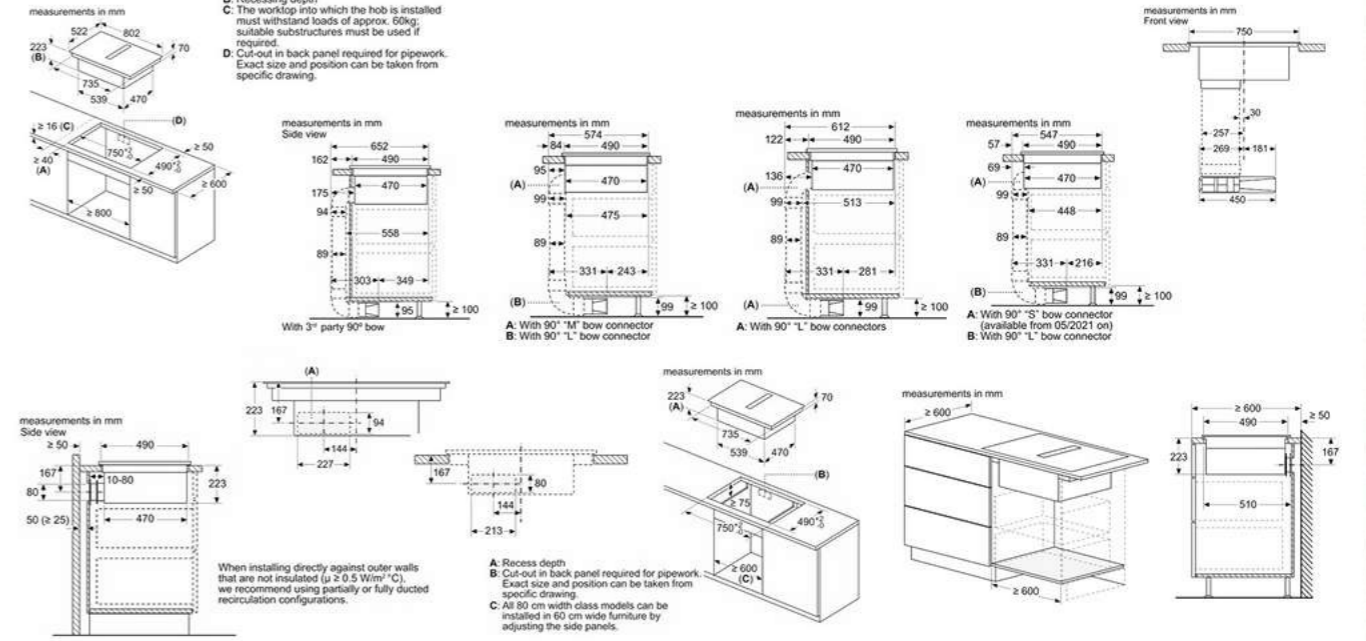
- A: Recess depth
- B: Cut-out in back panel required for pipework. Exact size and position can be taken from specific drawing.
- C: All 80 cm width class models can be installed in 60 cm wide furniture by adjusting the side panels.



Venting Hobs

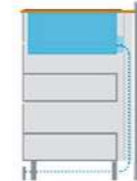
T46CB4AX2

- A: Minimum distance from the hob cut-out to the wall
- B: Recessing depth
- C: The worktop into which the hob is installed must withstand loads of approx. 60kg; suitable substructures must be used if required.
- D: Cut-out in back panel required for pipework. Exact size and position can be taken from specific drawing.



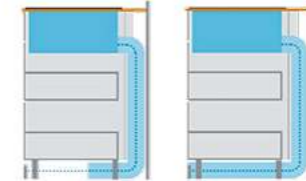
Venting Hobs Installation Options and Accessories

Unducted Recirculation



No additional accessories required (Slider adaptor and odour filters included with the hob)

Ducted Recirculation

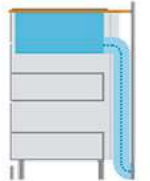


Min. 70cm deep work surface
Starter Kit 1
Z861KR0

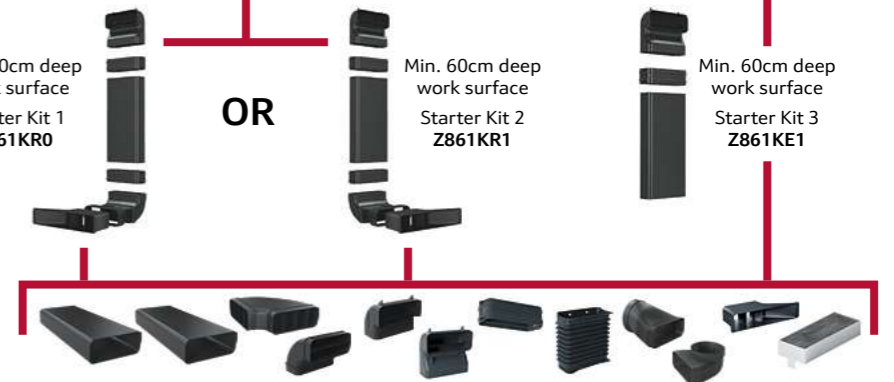
Min. 60cm deep work surface
Starter Kit 2
Z861KR1

OR

Ducted Extraction



Min. 60cm deep work surface
Starter Kit 3
Z861KE1



Optional additional individual ducting components

Venting Hobs Ducting Components

DESCRIPTION	CODE	MEASUREMENTS (mm)	COMPONENT
Flat channel ducting component, straight length, 100cm long Ducting component outlet size: 222mm x 89mm	ZB61SM2		
Flat channel ducting component, straight length, 50cm long Ducting component outlet size: 222mm x 89mm	ZB61SM1		
Flat channel 90° horizontal bend Ducting component outlet size: 222mm x 89mm	ZB61SB1		
Flat channel 90° vertical bend (large Radius), suitable for 70cm worktop depths Ducting component outlet size: 222mm x 89mm	ZB61SB2		
Flat channel 90° vertical bend (medium Radius), suitable for 65cm worktop depths Ducting component outlet size: 222mm x 89mm	ZB61SB3		
Flat channel 90° vertical bend (short Radius), suitable for 60cm worktop depths Ducting component outlet size: 222mm x 89mm	ZB61SB4		
Connection piece for use between ducting components and bends Ducting component size: 223mm x 90mm	ZB61SS1		
Flexible Connection piece for use between ducting components and bends Ducting component size: 223mm x 90mm	ZB61SS2		
Straight Adaptor / Converter flat to round (Ø 150mm) Ducting component outlet size: 222mm x 89mm	ZB61S10		
90° Adaptor / Converter flat to round (Ø 150mm) Ducting component outlet size: 222 mm x 89mm	ZB61S11		
Diffusor for ducted recirculation - outlet size: 222mm x 89mm	ZB21PD1		
1 x set of CleanAir recirculation filters, ZB11DU0 1 X set of Acoustic filters	ZB21VR1		

Flex Induction Hobs

T59TF6RN0, T59TS61N0, T59TS5RN0

* Minimum distance from the hob cut-out to the wall
 ** Recessed depth
 *** With fitted oven underneath min. 30, possibly more; see space requirements for the oven

T68TF6RN0, T68TS6RN0

* Minimum distance from the hob cut-out to the wall
 ** Recessed depth
 *** With fitted oven underneath min. 30, possibly more; see space requirements for the oven

T66TS6RN0

* Minimum distance from the hob cut-out to the wall
 ** Recessed depth
 *** With fitted oven underneath min. 30, possibly more; see space requirements for the oven

T68FUV4L0

Measurements in mm

A: Recessed depth

C	D	E
585-600	50	≥ 35
> 600	≥ 50	≥ 50

A: Min. distance from the hob cut-out to the wall
 B: The clearance between the surface of the worktop and the top of the front of the oven must be 30 mm
 See space requirements for the oven
 The worktop into which the hob is installed must withstand loads of approx. 60 kg; suitable substructures must be used if required

T69FUV4L0

Measurements in mm

A: Recessed depth

C	D	E
585-600	50	≥ 35
> 600	≥ 50	≥ 50

A: Min. distance from the hob cut-out to the wall
 B: The clearance between the surface of the worktop and the top of the front of the oven must be 30 mm
 See space requirements for the oven
 The worktop into which the hob is installed must withstand loads of approx. 60 kg; suitable substructures must be used if required

Flex Induction Hobs

T50FS41X0

* Minimum distance from the hob cut-out to the wall
 ** Recessed depth
 *** With fitted oven underneath min. 30, possibly more; see space requirements for the oven

① Ventilation gap must be present

T59FT50X0

* Minimum distance from the hob cut-out to the wall
 ** Recessed depth
 *** With fitted oven underneath min. 30, possibly more; see space requirements for the oven

① Ventilation gap must be present

T58FT20X0, T58FD20X0

* Minimum distance from the hob cut-out to the wall
 ** Recessed depth
 *** With fitted oven underneath min. 30, possibly more; see space requirements for the oven

① Ventilation gap must be present

T56FT60X0, T56FD50X0

* Minimum distance from the hob cut-out to the wall
 ** Recessed depth
 *** With fitted oven underneath min. 30, possibly more; see space requirements for the oven

① Ventilation gap must be present

T36FBE1L0, T66FH4L0

measurements in mm

A: Minimum distance from the hob cut-out to the wall.
 B: Recessed depth
 C: The clearance between the surface of the worktop and the top of the front of the oven must be 30 mm. See space requirements for the oven.

The worktop into which the hob is installed must withstand loads of approx. 60 kg; suitable substructures must be used if required.

D	E	F
585-600	50	≥ 35
> 600	≥ 50	≥ 50

① Ventilation gap must be present

All measurements in mm

Induction & Ceramic Hobs

ALL INDUCTION HOBES USE ONE OF THESE LINE DRAWINGS

T48FD23X2, T46FD53X2, T36FB40X0, T36FB41X0G

① Ventilation gap must be present.

T48PD23X2, T46PD53X2

① Ventilation gap must be present.

ALL INDUCTION HOBES USE THESE LINE DRAWINGS
T48PD23X2, T46PD53X2, T48FD23X2, T46FD53X2, T36FB40X0, T36FB41X0G

① Ventilation gap must be present

T48PD23X2

* Minimum distance from the hob cut-out to the wall
 ** Recessed depth
 *** With fitted oven underneath min. 30, possibly more; see space requirements for the oven

T36CA50X1U

measurements in mm

A: Minimum distance from the hob cut-out to the wall.
 B: Recessed depth
 C: The clearance between the surface of the worktop and the top of the front of the oven must be 30 mm. See space requirements for the oven.

The worktop into which the hob is installed must withstand loads of approx. 60 kg; suitable substructures must be used if required.

D	E	F
585-600	50	≥ 35
> 600	≥ 50	≥ 50

① Ventilation gap must be present

All measurements in mm

Induction & Ceramic Hobs

T46PD53X2

**56
 *min. 40
 * Minimum distance from the hob cut-out to the wall
 ** Recessed depth
 *** With fitted oven underneath min. 30, possibly more; see space requirements for the oven

T48FD23X2

**51
 *min. 40
 * Minimum distance from the hob cut-out to the wall
 ** Recessed depth
 *** With fitted oven underneath min. 30, possibly more; see space requirements for the oven

① Ventilation gap must be present

T46FD53X2, T36FBE1L0, T36FB41X0G, T36CA50X1U

**51
 *min. 40
 * Minimum distance from the hob cut-out to the wall
 ** Recessed depth
 *** With fitted oven underneath min. 30, possibly more; see space requirements for the oven

① Ventilation gap must be present

T18FDH9L

**45
 *min. 90
 * Minimum distance from the hob cut-out to the wall
 ** Recessed depth
 *** With fitted oven underneath, possibly more; see space requirements for the oven

T16NBE1L

**39
 min. 90
 Minimum distance from the hob cut-out to the wall
 Recessed depth
 With fitted oven underneath, possibly more; see space requirements for the oven

T16NKE0L

measurements in mm

A: Minimum distance from the hob cut-out to the wall.
 B: Recessed depth
 C: With fitted oven underneath min. 20, possibly more; see space requirements for the oven.

Domino Hobs

N74TD00N0

**90
 *min. 55
 * Minimum distance from the hob cut-out to the wall
 ** Maximum recessed depth min. 30

Domino combination options with corresponding appliance and cut-out dimensions

When installing several elements side by side, several assembly kits are also required (Z9914X0).
Cut-out dimensions (X) depending on the combination,

T13TDF9L8

**37
 *min. 70
 * Minimum distance from the hob cut-out to the wall
 ** Recessed depth
 *** With fitted oven underneath, possibly more; see space requirements for the oven

Domino combination options with corresponding appliance and cut-out dimensions

When installing several elements side by side, several assembly kits are also required (Z9914X0).
Cut-out dimensions (X) depending on the combination,

T63TDX1L0

A: Recessed depth
 A: Min. distance from the hob cut-out to the wall
 B: The clearance between the surface of the worktop and the top of the front of the oven must be 30 mm
 See space requirements for the oven

C	D	E
585-600	50	≥ 35
> 600	≥ 50	≥ 50

The worktop into which the hob is installed must withstand loads of approx. 60 kg; suitable substructures must be used if

① Ventilation gap must be present

T63TDX1L0

* Minimum distance from the hob cut-out to the wall
 ** Recessed depth
 *** With fitted oven underneath min. 30, possibly more; see space requirements for the oven

Domino combination options with corresponding appliance and cut-out dimensions

When installing several elements side by side, several assembly kits are also required (Z9914X0).
Cut-out dimensions (X) depending on the combination

① Ventilation gap must be present

N23TS29N0

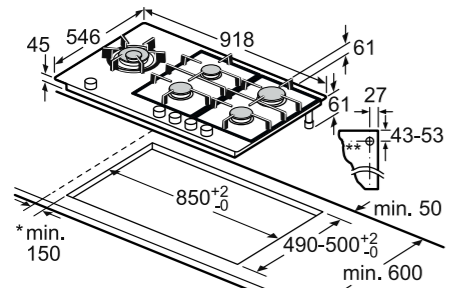
* Minimum distance from the hob cut-out to the wall
 ** Position of gas connection in the cut-out
 *** With fitted oven underneath, possibly more; see space requirements for the oven

N23TS19N0

* Minimum distance from the hob cut-out to the wall
 ** Position of gas connection in the cut-out
 *** With fitted oven underneath, possibly more; see space requirements for the oven

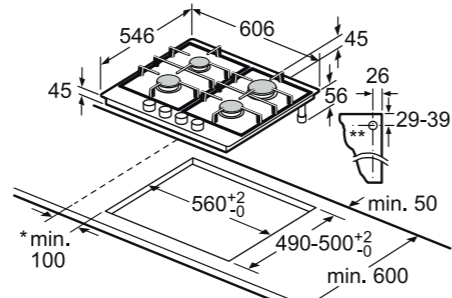
Gas Hobs

T29TS79N0



- * Minimum distance from the hob cut-out to the wall
- ** Position of gas connection in the cut-out
- *** With fitted oven underneath, possibly more; see space requirements for the oven

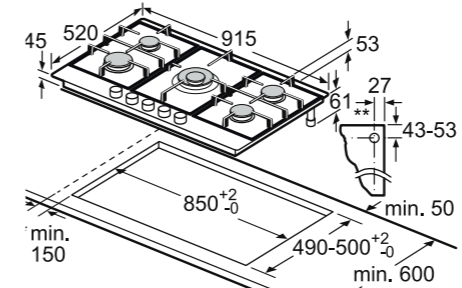
T26TA49N0



- * Minimum distance from the hob cut-out to the wall
- ** Position of gas connection in the cut-out
- *** With fitted oven underneath, possibly more; see space requirements for the oven

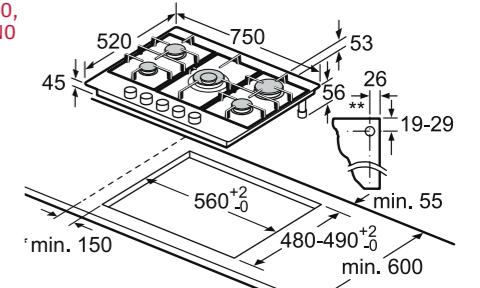
Gas Hobs

T29DA69N0,
T29DS69N0



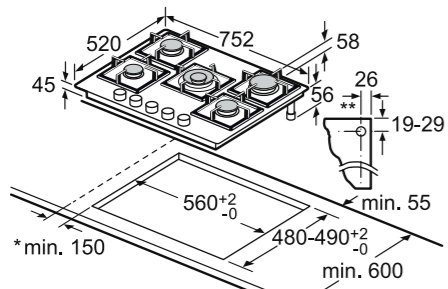
- * Minimum distance from the hob cut-out to the wall
- ** Position of gas connection in the cut-out
- *** With fitted oven underneath, possibly more; see space requirements for the oven

T27DA69N0,
T27DS79N0,
T27DS59N0,
T27DS59S0,
T27BB59N0



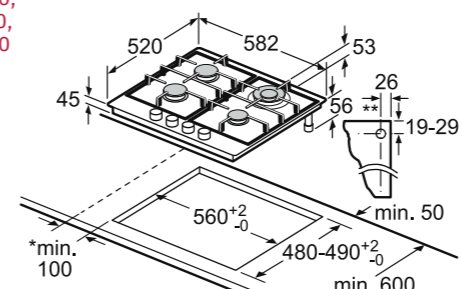
- * Minimum distance from the hob cut-out to the wall
- ** Position of gas connection in the cut-out
- *** With fitted oven underneath, possibly more; see space requirements for the oven

T27CS59S0



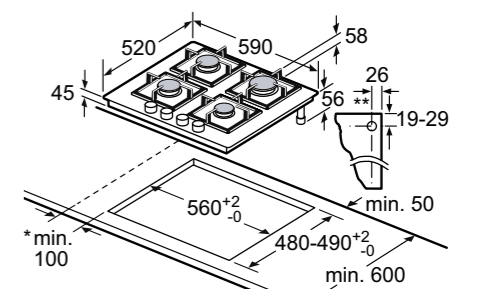
- * Minimum distance from the hob cut-out to the wall
- ** Position of gas connection in the cut-out
- *** With fitted oven underneath, possibly more; see space requirements for the oven

T26DA59N0,
T26DS59N0,
T26DS49N0,
T26DS49S0,
T26BB59N0



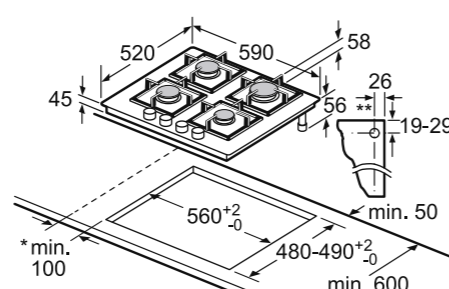
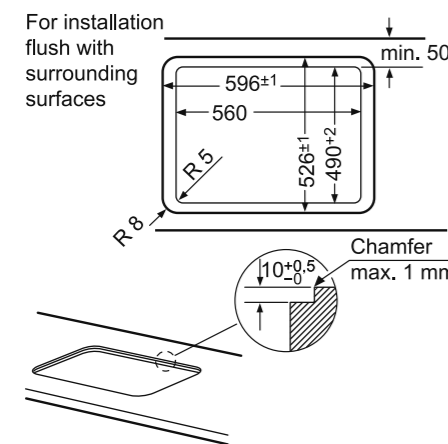
- * Minimum distance from the hob cut-out to the wall
- ** Position of gas connection in the cut-out
- *** With fitted oven underneath, possibly more; see space requirements for the oven

T26CB49S0



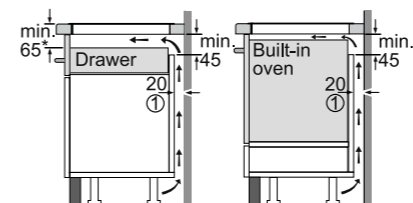
- * Minimum distance from the hob cut-out to the wall
- ** Position of gas connection in the cut-out
- *** With fitted oven underneath, possibly more; see space requirements for the oven

T26CS49S0

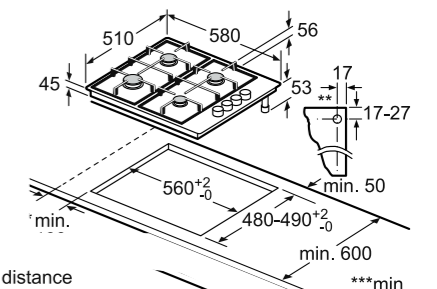


- * Minimum distance from the hob cut-out to the wall
- ** Position of gas connection in the cut-out
- *** With fitted oven underneath, possibly more; see space requirements for the oven

T26BR46N0, T26BR46S0, T26BR46W0



- ① Ventilation gap must be present
- * Min. 70 for all induction hobs integrated flush with surrounding surfaces



- * Minimum distance from the hob cut-out to the wall
- ** Maximum recessed depth
- *** With fitted oven underneath min. 30, possibly more; see space requirements for the oven.

Your Guide to Island Solutions

Simply eye-catching

If you like a contemporary-styled kitchen with an island cooking area, our island cooker hoods can add an inspiring focal point. A kitchen island, being in the centre of the kitchen, provides a hub for cooking, entertaining and socialising in one of the most used rooms in the home.



Ceiling Hood And Hob

- Can be installed to a minimum height of 1500mm.
- Some models available as plug & play & reversible motors.



Worktop Installation

- Guided Air.
- Options for ducting.
- Featuring Hob Hood Control & Home Connect.
- Whisper quiet and powerful.
- Ambient Light.



Venting Hob

- Designed with flexibility in mind.
- Many options and sizes to install.
- Incredibly quiet and unobtrusive on an island.



Island Chimney Hood

- Sleek, stylish and convenient to use.
- No worktop or unit space is used.
- Reduced noise for better cooking environment.

Island Hood Sizes



120cm*

*Discontinuing December 2023



100cm



90cm



75cm



60cm

Island Hood Ranges

CEILING HOODS							
Series	Width	Description	Hob Hood Control /Remote Control	Home Connect	Colour	Model Number	Status
N 70	120cm	120 x 50cm, Climate Control Sensor, LED lights.	● / ●	✓	White Glass	I25CBS8W0B	Discontinuing December 2023
N 90	90cm	90 x 50cm, Climate Control Sensor, LED lights with adjustable white colour temperature.	● / ●	✓	White Glass	I97CPS8W5B	Discontinuing December 2023
N 70	90cm	90 x 50cm, Climate Control Sensor, LED lights.	● / ●	✓	White Glass	I95CBS8W0B	
N 50	90cm	Flat Motor for 200mm built-in height, 90 x 50cm, LED lights.	● / ●	✓	Stainless steel	I94CAQ6N0B	Discontinuing December 2023
N 50	90cm	90 x 50cm, LED lights.	● / ●	✓	Stainless steel	I95CAQ6N0B	
N 50	90cm	90 x 50cm, LED lights.	● / ●	✓	White	I95CAQ6W0B	
N 50	90cm	Compact Motor for installation between joists, 90 x 50cm, LED lights.	/ ●	✓	Stainless steel	I95CAP6N1B	

WORKTOP INSTALLATION							
Series	Width	Description	Hob Hood Control /Remote Control	Home Connect	Colour	Model Number	Status
N 90	90cm	New Guided Air, Climate Control Sensor, touch control, remote mountable motor up to 3m.	● /	✓	Black with clear glass	I98WMM1S1B	Discontinuing November 2023
N 90	90cm	New Guided Air, Climate Control Sensor, touch control, remote mountable motor up to 3m, with Ambient Light.	● /	✓	Black with clear glass	I98WMM1S7B	
N 90	80cm	New Guided Air, Climate Control Sensor, touch control, remote mountable motor up to 3m, with Ambient Light.	● /	✓	Black with clear glass	I88WMM1S7B	

BOX ISLAND HOODS							
Series	Width	Description	Hob Hood Control /Remote Control	Home Connect	Colour	Model Number	Status
N 90	90cm	90 x 60cm, Climate Control Sensor, Touch Control, LED lights with adjustable white colour temperature.	● /	✓	Stainless steel	I96BMV5N5B	Discontinuing December 2023
N 50	90cm	90 x 60cm, Flat Glass Island Hood, Touch Control, 3 speed + intensive, LED lights.			Stainless steel & glass	I95GBE2N0B	Discontinuing December 2023
N 70	90cm	90 x 60cm, Touch Control, 3 speed + 2 intensive, LED lights.			Stainless steel	I96BMP5N0B	

Your Guide to Wall Mounted Solutions

For a fantastic atmosphere

Hoods installed on the wall can be used to create a design feature in themselves, adding a focal point to your kitchen while offering powerful extraction for all types of cooking. Choose from a range of styles to suit your kitchen design, including the trendy Creative Slim hoods or Angled Glass hoods with features such as Ambient Light that let you express yourself with colour, as well as your cooking. And if choosing to install in recirculation, the hood can be fitted without a chimney piece for a sleeker finish to your hood installation.



Angled Glass

- Inclined front with dimmable LED mood lighting.
- Fully automatic air sensor.
- Whisper quiet ventilation.
- Chimless or Chimney options.



Flat Slimline

- Creative Slim.
- Unique to NEFF.
- Magnetic Surface – Ideal for creative notes.
- Flat against the wall for more space.
- Quiet operation.



Glass Chimney

- Popular & Minimalistic.
- Variety of specifications and sizes.
- LED low energy lighting.



Box Chimney

- Classic box design.
- Highly Efficient.
- Quiet operation.
- LED low energy lighting.



Pyramid Chimney

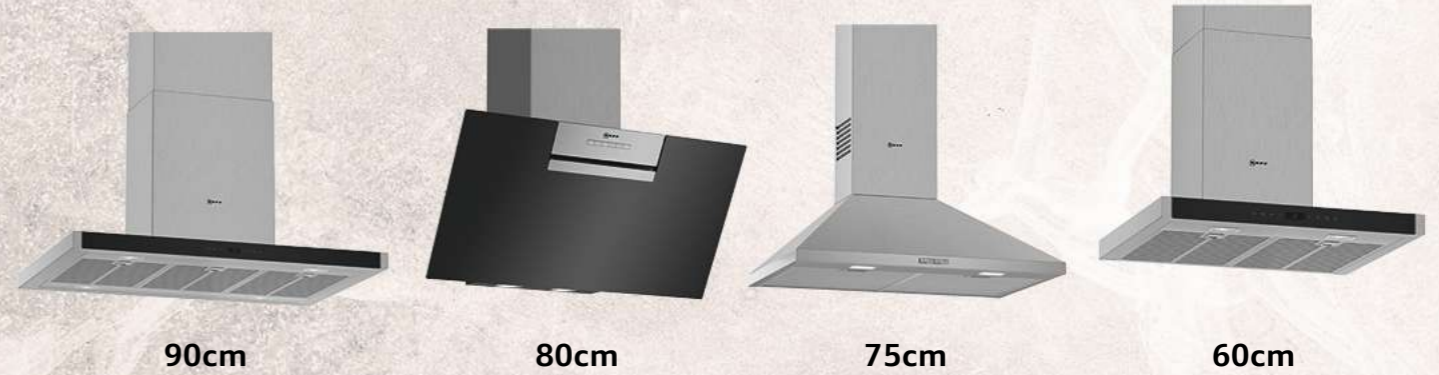
- Traditional styled.
- Broad variety of sizes & specifications.
- Quiet operation.



Slim Pyramid Chimney

- Flatter profile.
- Broad variety of sizes & specifications.
- Quiet operation.

Wall Mounted Hood Sizes



Wall Mounted Hood Ranges

ANGLED GLASS CHIMNEY HOODS							
Series	Width	Description	Hob Hood Control /Remote Control	Home Connect	Colour	Model Number	Status
N 90	90cm	Touch Control with illuminated sensors, Ambient light, Climate Control Sensor, LED Lights.	● / ●	✓	Black Glass & Stainless steel chimney	D96IKW1S0B	
N 50	90cm	Touch Control, LED Lights.	● / ●	✓	Black Glass & Black Chimney	D95IHM1S2B	
N 50	90cm	Touch Control, LED Lights.	● / ●	✓	Black Glass & Stainless steel chimney	D95IHM1S0B	
N 30	80cm	Angled Chimney Hood, Touch Control, LED Lights.	● / ●	✓	Black Glass & Stainless steel control	D83IDK1S0B	New September 2023
N 30	80cm	Single Pane Angled Glass Chimney Hood, SoftTouch Control, LED Lights.	● / ●	✓	Black Glass & Stainless steel control	D85IEE1S0B	
N 50	60cm	Touch Control, LED Lights.	● / ●	✓	Black Glass & Black Chimney	D65IHM1S2B	
N 50	60cm	Touch Control, LED Lights.	● / ●	✓	Black Glass & Stainless steel chimney	D65IHM1S0B	
N 30	60cm	Single Pane Angled Glass Chimney Hood, SoftTouch Control, LED Lights.	● / ●	✓	Black Glass & Stainless steel control	D65IEE1S0B	
N 30	60cm	60cm, Angled Chimney Hood, Touch Control, LED Lights.	● / ●	✓	Black Glass & Stainless steel control	D63IDK1S0B	New September 2023

FLAT SLIMLINE GLASS CHIMNEY HOODS							
Series	Width	Description	Hob Hood Control /Remote Control	Home Connect	Colour	Model Number	Status
N 70	90cm	Creative Slimline Glass Hood, Touch Control, LED Lights.			Black Glass	D95FRM1S0B	Discontinuing April 2024

BOX CHIMNEY HOODS							
Series	Width	Description	Hob Hood Control /Remote Control	Home Connect	Colour	Model Number	Status
N 90	90cm	Inlay Box Design, Climate Control Sensor, Touch Control, LED lights with adjustable white colour temperature.	● /	✓	Stainless steel	D96BMV5N5B	Discontinuing December 2023
N 70	90cm	Inlay Box Design, Touch Control, 3 speed + 2 intensive, LED lights.			Stainless steel	D95BMP5N0B	
N 50	90cm	Inlay Box Design, 3 speed + intensive, electronic, Touch Control, LED lights.			Black Glass	D94BHM1S5B*	New December 2023
N 50	90cm	Inlay Box Design, 3 speed + intensive, electronic, Touch Control, LED lights.			Stainless steel	D94BHM1N0B	
N 30	90cm	Box Design, 3 speed, push buttons, LED lights.			Stainless steel	D92BBC0N0B	
N 30	90cm	Box Design, 3 speed, push buttons, LED lights.			Black Glass	D92BBC0S0B*	New December 2023
N 70	60cm	Inlay Box Design, Touch Control, 3 speed + 2 intensive, LED lights.			Stainless steel	D65BMP5N0B	
N 50	60cm	Inlay Box Design, 3 speed + intensive, electronic, Touch Control, LED lights.			Stainless steel	D64BHM1N0B	
N 30	60cm	Box Design, 3 speed, push buttons, LED lights.			Stainless steel	D62BBC0N0B	
N 30	60cm	Box Design, 3 speed, push buttons, LED lights.			Black Glass	D62BBC0S0B*	New December 2023

*Check online for further details.

Wall Mounted Hood Ranges (cont...)

CURVED GLASS CHIMNEY HOODS

Series	Width	Description	Hob Hood Control /Remote Control	Home Connect	Colour	Model Number	Status
N 50	90cm	3 speed + intensive, electronic, Touch Control, LED lights.			Stainless steel & glass	D94AFM1N0B	
N 30	90cm	3 speed, push buttons, LED lights.			Stainless steel & glass	D94ABC0N0B	Discontinuing December 2023
N 50	60cm	3 speed + intensive, electronic, Touch Control, LED lights.			Stainless steel & glass	D64AFM1N0B	
N 30	60cm	3 speed, push buttons, LED lights.			Stainless steel & glass	D64ABC0N0B	Discontinuing December 2023

FLAT GLASS DESIGN CHIMNEY HOODS

Series	Width	Description	Hob Hood Control /Remote Control	Home Connect	Colour	Model Number	Status
N 30	90cm	3 speed, push buttons, LED lights.			Stainless steel & glass	D94GBC0N0B	
N 30	60cm	3 speed, push buttons, LED lights.			Stainless steel & glass	D64GBC0N0B	

PYRAMID CHIMNEY HOODS

Series	Width	Description	Hob Hood Control /Remote Control	Home Connect	Colour	Model Number	Status
N 30	90cm	3 speed, LED lights.			Stainless steel	D92PBC0N0B	
N 30	75cm	3 speed, LED lights.			Stainless steel	D72PBC0N0B	
N 30	60cm	3 speed, LED lights.			Stainless steel	D62PBC0N0B	

SLIM PYRAMID CHIMNEY HOODS

Series	Width	Description	Hob Hood Control /Remote Control	Home Connect	Colour	Model Number	Status
N 50	90cm	3 speed + intensive, electronic, Touch Control, LED lights.			Stainless steel	D94QFM1N0B	
N 30	90cm	3 speed, push buttons, LED lights.			Stainless steel	D92QBC0N0B	Discontinuing December 2023
N 50	60cm	3 speed + intensive, electronic, Touch Control, LED lights.			Stainless steel	D64QFM1N0B	
N 30	60cm	3 speed, push buttons, LED lights.			Stainless steel	D62QBC0N0B	Discontinuing December 2023



Your Guide to Integrated Furniture Solutions

A great fit

When cooking up a meal for friends and family the last thing you want is the noise of a hood in the background. Our integrated furniture hoods are built to operate on low noise levels while maintaining high air quality in your kitchen. Choose between telescopic and integrated hoods to find the hood that fits your kitchen, and cooking style, best.



Integrated Design Hood – Invisible design for that seamless finish

- Designed to fit neatly under an overhead unit.
- Integrated Hoods are discreet and save valuable kitchen space.
- Extra Storage Space – The hood's T-shaped design creates extra space for many large and handy items up to 10kg on each side.
- Reduced Noise: the low-noise motor makes it possible to listen to your own kitchen story.
- Your kitchen deserves the best in lighting design. Our hoods with LED Lighting not only look good, they help you focus, whatever you're cooking.



Telescopic Hood

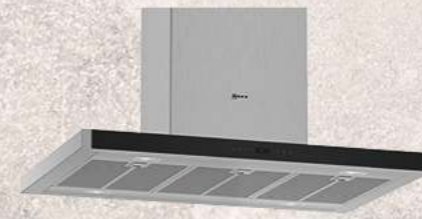
- For a smaller kitchen where space is at a premium, these clever hoods pull out from underneath a cabinet when required.



Integrated Hood

- These hoods look like they're part of the furniture.
- Hidden behind a unit door, they simply pull out when needed.

Hood Sizes



90cm



70cm



60cm

Hood Ranges

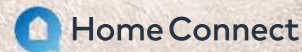
TELESCOPIC HOODS							
Series	Width	Description	Hob Hood Control /Remote Control	Home Connect	Colour	Model Number	Status
N 90	90cm	3 speed + 2 Intensive, Touch Control, LED lights, Stainless steel filter covers.			Stainless Steel/Black	D49PU54X1B	
N 70	90cm	3 speed + 2 Intensive, Electronic Push Button Controls, LED lights, Stainless steel filter covers.			Stainless Steel	D49ML54N1B	Discontinuing December 2023
N 50	90cm	3 speed + 1 Intensive, Easy Electronic Controls, LED lights.			Stainless Steel	D49ED22N1B	
N 70	60cm	3 speed + 2 Intensive, Electronic Push Button Controls, LED lights, Stainless steel filter covers.			Stainless Steel	D46ML54N1B	Discontinuing December 2023
N 50	60cm	3 speed + 1 Intensive, Easy Electronic Controls, LED lights.			Stainless Steel	D46ED22N1B	
N 30	60cm	3 speed, Rocker Switch Controls, LED lights.			Metallic silver	D46BR22N1B	
INTEGRATED DESIGN HOODS							
Series	Width	Description	Hob Hood Control /Remote Control	Home Connect	Colour	Model Number	Status
N 70	90cm	Flush Integrated design with fold out glass panel. LED lighting - automatic on opening glass, 3 Speed + 1 Intensive, Touch Control.			Black body & fold out glass panel	D95XAM2S0B	
N 70	60cm	Flush Integrated design with fold out glass panel. LED lighting - automatic on opening glass, 3 Speed + 1 Intensive, Touch Control.			Black body & fold out glass panel	D65XAM2S0B	
INTEGRATED HOODS							
Series	Width	Description	Hob Hood Control /Remote Control	Home Connect	Colour	Model Number	Status
N 30	60cm	3 speed, push buttons, LED lights, high extraction rate.			Metallic silver	D64MAC1X0B	
N 30	60cm	3 speed, push buttons, LED lights.			Metallic silver	D61MAC1X0B	
CANOPY HOODS							
Series	Width	Description	Hob Hood Control /Remote Control	Home Connect	Colour	Model Number	Status
N 30	73cm	3 speeds + intensive, LED lights.			Metallic silver	D5855X1GB	
N 90	70cm	Rim Ventilation Design, 3 speed + intensive, electronic, LED lights.			Stainless steel & black glass	D57ML67N1B	
N 50	70cm	Rim Ventilation Design, 3 speed + intensive, electronic, LED lights.			Stainless steel	D57MH56N0B	
N 30	53cm	3 speeds + intensive, LED lights.			Metallic silver	D5655X1GB	
N 30	53cm	3 speed, LED lights, Quick fix system, Slider switch.			Metallic silver	D51NAA1C0B	
N 50	52cm	Rim Ventilation Design, 3 speed + intensive, electronic, LED lights.			Stainless steel	D55MH56N0B	

Your Guide to Control Types



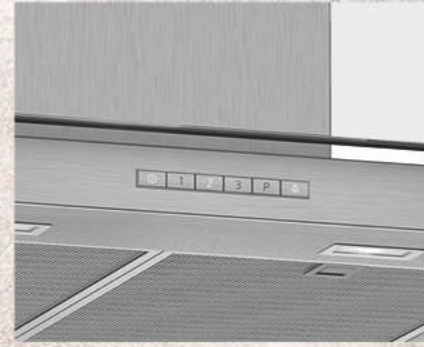
Home Connect

Compatible with Amazon Alexa and Google Assistant.



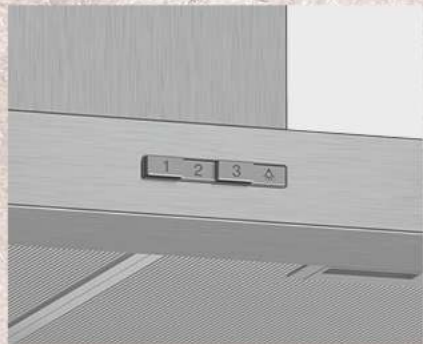
Touch Control

Featured on selected models in the N90, N70 and N50 Collections. Touch Control flawlessly complements our ovens and compact appliances. An LED display is also available with selected Touch Control models.



Soft Touch Control

Available across selected models within the N70 and N50 Collection, our Soft Touch Control hoods allow for greater control over power levels. Selected models also feature a white LCD screen.



Push Button

Our classic hoods feature simple, sleek and easy to use push button controls. Available across selected models in the N30 Collection.



Remote Control

Available across all Ceiling Hood models.



Rotary Switch Control

Featured on selected Canopy Hood models within our N70 Collection, our Rotary Switch Control features a pop-out dial with 3 levels of power to choose from. When not in use the dial can be neatly popped back into place.

Rocker or Slider Switch Control

Available on our N30 Telescopic and Canopy models, our rocker or slider switch control offers a simple and straight forward setting navigation that's neatly concealed within the hood furniture.



Key Functions Guide

Features



HOME CONNECT

Control all functions and settings of your hood directly from your smart phone and voice control for the ultimate connected cooking experience.



HOB HOOD CONTROL

Being able to control the hood directly from the hob means the hood turns on when you start cooking and, in automatic mode, can automatically regulate the power level for the best performance with the lowest noise – it also means you no longer need to worry about adjusting the hood and you can focus on your cooking.



CLIMATE CONTROL

Detects the amount of steam and smells using a sensor attached to the motor and automatically sets the most effective power level to extract it.

AMBIENT LIGHT

Illuminates your kitchen in the light that suits the occasion best. Choose from 31 colours to change how your kitchen looks and, most importantly, how it makes you feel.



EFFICIENT DRIVE MOTOR

Save energy and enjoy a noise free, illuminated kitchen environment thanks to our ultra-efficient high-speed extractor hood fan, with Efficient Drive motor technology and LED lights.



NEFF SILENCE BUTTON

The unique noise reduction function reduces the fan noise by a couple of decibels, ensuring that the kitchen stays quiet while you cook and entertain your guests. This function can be used at any fan setting except fan setting 1.

SATURATION INDICATORS

Take the stress out of guessing, this function will prompt you if the grease filters should be cleaned. If the hood is installed in recirculation, this will also indicate when the charcoal filters need replacing.

BOOST POSITION

For our sleek angled glass and flat hoods, receive an extra boost of extraction performance in special cooking situations, for example when frying meat or fish. The front panel can be slightly opened during cooking to a defined extraction boost position in order to increase the steam catching rate of the hood and keep your kitchen free from steam.

Functions

AUTOMATIC AFTER-RUNNING

Continues running at a low speed for 3-30 minutes before turning itself off. Perfect for keeping fresh air in the kitchen post cooking.

INTENSIVE SETTING

Boosts the extraction rate to the maximum level to cope with particularly demanding cooking conditions.

ELECTRONIC POWER LEVEL DISPLAY

The sleek display clearly shows the selected fan power level setting.

NEFF FRESH AIR

Runs an automatic air exchange programme, turning the hood onto power level one for five minutes every hour for as long as required.

AUTOMATIC REVERT

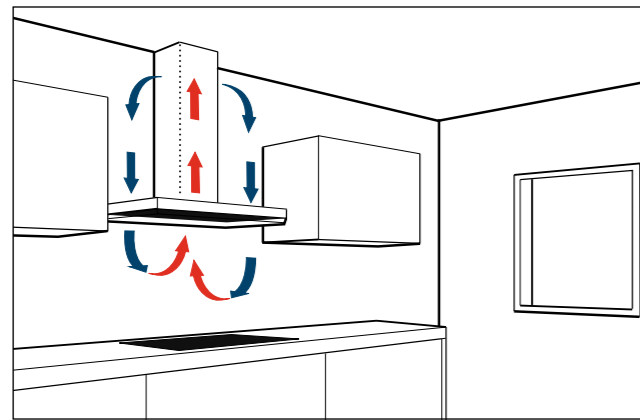
Automatically reverts the hood back to a lower power level after approximately ten minutes of being on the intensive setting.

SOFT LIGHT

Brightens or dims the lights as it's switched on or off; just press and hold to adjust the level of brightness.

Your Guide to Installation Options

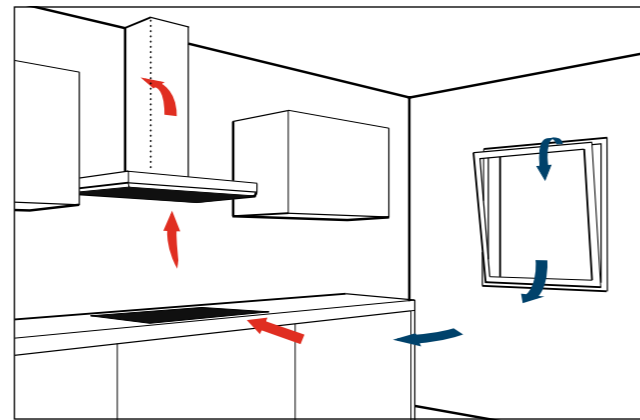
The best way to remove steam and odours is to extract the air out of the room through ducting. Unfortunately, in apartments or where the hood is too far away from an outside wall, this may not be possible. In this case, the only alternative is to recirculate the air. Stale air is sucked through a grease filter, before being purified in a charcoal filter, and then pumped back into the kitchen via an opening in the hood.



Recirculation

Recirculating

Removes between 70-95% of odours depending on filter used. Requires changing of charcoal filter on a regular basis or a longer-lasting Regenerative filter for certain models can be used.



Extraction

Ducted

Removes up to 98% of odours in an optimal installation. Requires planning of ducting (ducting to be sourced separately), however doesn't require a recirculation charcoal filter.

Use the following equation to calculate your extraction rate:

Volume of kitchen (length x width x height) eg. 4m x 3m x 2.5m = 30m³

6 x volume in normal operation and 12 x volume in intensive operation.

Please note that these are recommended estimates only to be used as a guide. This assumes a 2.5m standard ceiling height with 12 air changes per hour to match to an intensive extraction rate.

Regenerative Recirculation Filters

The new Regenerative Charcoal Filters give you a long lasting filter, thanks to a regenerative process using your oven, and can even be installed without a chimney piece if preferred. Benefit from up to 95% odour reduction when in recirculation mode.

Identify your extraction rate

Your extractor needs to circulate the air in the room 6 times in normal operation, 12 times in intensive operation, per hour. Use the below to help identify the required extraction rate which can then be used to select the appropriate extractor.

	2.5m	3m	3.5m	4m	4.5m	5m
2.5m	16m ³					
3m	19m ³	23m ³				
3.5m	22m ³	26m ³	31m ³			
4m	25m ³	30m ³	35m ³	40m ³		
4.5m	28m ³	34m ³	39m ³	45m ³	51m ³	
5m	31m ³	38m ³	44m ³	50m ³	56m ³	63m ³

Recirculation Filters

We offer a range of recirculation filters that are available depending on the model of hood you choose. Featuring powerful odour reduction rates and performance benefits, our new regenerative filters can last up to 10 years and are regenerated through a heating process in the oven every 4 months.

TYPE :	Standard Odour Filter	Cleanair Plus Filter	Long Life Regenerative Filter
ODOUR REDUCTION	Up to 85%	Up to 95%	Up to 95% (Up to 86% if installed without a chimney)
RECOMMENDED EXCHANGE	Approx. 2 times per year	Approx. once per year	Approx. once every 10 years
KEY BENEFITS	<ul style="list-style-type: none"> Simple installation Anti-fish treatment 	<ul style="list-style-type: none"> Up to 3dB (A) sound reduction Better extraction performance Anti-fish treatment Removes over 99% of all pollen 	<ul style="list-style-type: none"> Up to 3dB (A) sound reduction Regenerated in the oven every 4 months recommended (2 hours 200°C) Better extraction performance
INSTALLATION	Behind grease filter, inside the hood	Extra module attached to hood chimney (stainless steel) New Chimney Hoods: Integrated plastic module fitted inside the chimney piece	Extra module (as per CleanAir filter) onto chimney or inside chimney. 'Chimless' installation possible (Angled and Flat only)
INSTALLATION WITHOUT CHIMNEY POSSIBLE?	Yes (Angled and Flat only)	Yes (Angled and Flat only)	Yes (Angled and Flat only)

CleanAir Plus and Regenerative filters not available for all styles of hood. Additional module may be required to house the filter. Images for example only, different filters may come in a different size and style.

Installation

The following points should be observed for optimum ducted extraction results and low noise:

1. Ensure any pipe elbow bends are at least 30cm from the hood ducting opening.
2. Avoid reducing the diameter or area of the ducting.
3. Use wide-angled pipe elbows, but keep the number used to a minimum.
4. Only install pipes with smooth, even inner surfaces. If a flexible hose has to be used, ensure it is pulled tight to smooth out the ridges before fixing.
5. Use ducting pipes with a diameter of at least 120mm, but ideally 150mm.
6. Keep piping to a minimum – use the most direct route to an external outlet.
7. Make sure that there is an adequate supply of fresh air to replace the air ducting out of the kitchen, i.e. windows that can be opened, doors to adjacent rooms, air bricks. Problems with installation may occur if points 1-7 are not observed.

Easy Mounting System

Thanks to an easy wall-mounting system, selected hoods can be installed quickly and securely by one person. Rotating offset 'cam' fixings make it possible for positional adjustments of up to 6mm, helping to get the hood level and stable. (Not available on all our hoods.)

Worktop Installation

5
YEARS
WARRANTY



I98WMM1S7B

5
YEARS
WARRANTY



I88WMM1S7B



I98WMM1S1B

New accessories

- Z92WWJ12
- Z92WWI1X7
- Z92WWY9X2
- Z92WWM11

HOOD TYPE	GLASS DRAFT	GLASS DRAFT
MODEL	I98WMM1S7B	I88WMM1S7B
COLLECTION	N 90	N 90
Colour	Stainless Steel & Black Glass	Stainless Steel & Black Glass
SPECIAL FEATURES		
Home Connect	●	●
Hob Hood control	●	●
Efficient Drive	●	●
Intensive setting / Automatic intensive revert ¹	● / ●	● / ●
Filter saturation indicator	●	●
FEATURES		
Suitable for ducted operation / recirculating	● / ●	● / ●
Power levels	3 + 2 Intensive	3 + 2 Intensive
Automatic after running	minutes	minutes
Number of metal grease filter cassettes	2	2
Type of control	Touch Control	Touch Control
Ambient Light	●	●
OPTIONAL ACCESSORIES²		
Long life recirculation kit (2 year regenerative)	●	●
Remote motor installation mounting kit	●	●
PERFORMANCE / TECHNICAL INFORMATION		
Appliance width	mm	mm
Extraction Rate in m³/h^{3,4}		
Power level 1 - ducted / recirculating	260 / 230	260 / 230
Power level 2 - ducted / recirculating	428 / 410	428 / 410
Power level 3 - ducted / recirculating	530 / 452	530 / 452
Intensive level 1 - ducted / recirculating	630 / 482	630 / 482
Intensive level 2 - ducted / recirculating	750 / 500	750 / 500
Noise level (sound power) based on dB(A) re 1 pW^{3,5}		
Power level 1 - ducted / recirculating	43 / 37	43 / 37
Power level 2 - ducted / recirculating	58 / 70	58 / 70
Power level 3 - ducted / recirculating	62 / 72	62 / 72
Intensive level 1 - ducted / recirculating	66 / 74	66 / 74
Intensive level 2 - ducted / recirculating	67 / 75	67 / 75
Pipe outlet diameter	mm	mm
Minimum distance above an electric hob / gas hob ⁶	mm	mm
GB plug	●	●
Energy Rating	A	A

GLASS DRAFT	
I98WMM1S1B	
N 90	
Colour	Stainless Steel & Black Glass
SPECIAL FEATURES	
Home Connect	●
Hob Hood control	●
Efficient Drive	●
Intensive setting / Automatic intensive revert ¹	● / ●
Filter saturation indicator	●
FEATURES	
Suitable for ducted operation / recirculating	● / ●
Power levels	3 + 2 Intensive
Automatic after running	minutes
Number of metal grease filter cassettes	2
Type of control	Touch Control
Ambient Light	●
OPTIONAL ACCESSORIES²	
Long life recirculation kit (2 year regenerative)	●
Remote motor installation mounting kit	●
PERFORMANCE / TECHNICAL INFORMATION	
Appliance width	mm
Extraction Rate in m³/h^{3,4}	
Power level 1 - ducted / recirculating	260 / 230
Power level 2 - ducted / recirculating	428 / 410
Power level 3 - ducted / recirculating	530 / 452
Intensive level 1 - ducted / recirculating	630 / 482
Intensive level 2 - ducted / recirculating	750 / 500
Noise level (sound power) based on dB(A) re 1 pW^{3,5}	
Power level 1 - ducted / recirculating	43 / 37
Power level 2 - ducted / recirculating	58 / 70
Power level 3 - ducted / recirculating	62 / 72
Intensive level 1 - ducted / recirculating	66 / 74
Intensive level 2 - ducted / recirculating	67 / 75
Pipe outlet diameter	mm
Minimum distance above an electric hob / gas hob ⁶	mm
GB plug	●
Energy Rating	A

Seamless Hob Installation

Celebrate your kitchen design with visual unity. Our Glass Draft Hood has been designed to be installed seamlessly with any of our Flex Design hobs in the corresponding 90cm or 80cm width.



To create the seamless installation, the Glass Draft Hoods can be combined with a select range of induction hobs using a seamless installation kit to be installed seamlessly in one aperture cut out.

90CM SEAMLESS COMBINATION SOLUTION

- 90cm Glass Draft Hood: **I98WMM1S7B**
- 90cm Induction Hob: **T69FUV4I0**
- 90cm Seamless Installation Kit: **Z92WWY9X2**

80CM SEAMLESS COMBINATION SOLUTION

- 80cm Glass Draft Hood: **I88WMM1S7B**
- 80cm Induction Hob choices: **T48FD23X2, T58FD20X0, T68FUV4L0**
- 90cm Seamless Installation Kit: **Z92WWY8X2**

THE NEFF OVEN COLLECTIONS

HOBS

VENTILATION

REFRIGERATION

DISHWASHING

LAUNDRY

¹Power automatically reverts back to normal setting after intensive. ²A type of recirculating kit is required if recirculating. ³Air Flow and noise declarations made in line with CECEC Code of Conduct. ⁴Measured according to EN61591 on largest pipe diameter. ⁵Sound power measured according to EN60704-3 on largest pipe diameter. ⁶From top of pan supports. Depending on the model, a 'Recirculating odour filter kit' will consist of the following items: Charcoal filter, flexible hose, air duct, fixing components, installation instructions.

Ceiling Installation Hoods



HOOD TYPE	Discontinuing December 2023 - New Model I97CPS8W5B	Discontinuing December 2023 - New Model I95CBS8W0B	Discontinuing December 2023 - New Model I95CBS8W0B
	CEILING	CEILING	CEILING
MODEL	I97CPS8W5B	I25CBS8W0B	I95CBS8W0B
COLLECTION	N 90	N 70	N 70
Colour	White & White Glass	White & White Glass	White & White Glass
SPECIAL FEATURES			
Home Connect	•	•	•
Adjustable LED white colour temperature	•		
Ambient light			
Climate control sensor	•	•	•
Hob Hood control	•	•	•
Reduced size motor			
Efficient Drive	•	•	•
Intensive setting / Automatic intensive revert ¹	•/•	•/•	•/•
Boost position (Angled & Flat Hoods)			
NEFF Silence function	•	•	•
Filter saturation indicator	•	•	•
FEATURES			
Suitable for ducted operation / recirculating	•/•	•/•	•/•
Electronic power level display			
Power levels	3 + 2 Intensive	3 + 2 Intensive	3 + 2 Intensive
NEFF Fresh Air (Interval operation)	•	•	•
Automatic after running	minutes 10	10	10
Lighting	4 x LED lights	4 x LED lights	4 x LED lights
Softlight with dimmer function	•	•	•
Number of metal grease filter cassettes	2	2	2
Type of control	Remote Control	Remote Control	Remote Control
OPTIONAL ACCESSORIES²			
Recirculation filter kit			
CleanAir recirculating flat module (Stainless Steel)			
CleanAir recirculating flat module (White)			
CleanAir plus recirculating module (Stainless Steel)	Z52JCC1N6	Z52JCC1N6	Z52JCC1N6
CleanAir plus recirculating module (White)	Z52JCC1W6	Z52JCC1W6	Z52JCC1W6
Long life regenerative recirculation module (Stainless Steel)	Z52JCD0N0	Z52JCD0N0	Z52JCD0N0
Long life regenerative recirculation module (White)	Z52JCD0W0	Z52JCD0W0	Z52JCD0W0
PERFORMANCE / TECHNICAL INFORMATION			
Appliance width	mm 900	1200	900
Extraction Rate in m³/h^{3,4}			
Power level 1 ducted / recirculating	265 / 197	265 / 200	265 / 200
Power level 2 ducted / recirculating	331 / 313	335 / 316	335 / 316
Power level 3 ducted / recirculating	458 / 419	458 / 422	458 / 422
Intensive level 1 ducted / recirculating	672 / 537	594 / 513	594 / 513
Intensive level 2 ducted / recirculating	933 / 637	798 / 565	798 / 565
Noise level (sound power) based on dB(A) re 1 pW^{3,5}			
Power level 1 ducted / recirculating	41 / 47	41 / 46	41 / 46
Power level 2 ducted / recirculating	47 / 56	47 / 57	47 / 57
Power level 3 ducted / recirculating	56 / 63	56 / 63	56 / 63
Intensive level 1 ducted / recirculating	64 / 68	62 / 67	62 / 67
Intensive level 2 ducted / recirculating	70 / 72	68 / 69	68 / 69
Pipe outlet diameter	mm 150	150	150
Minimum distance above an electric hob / gas hob ⁶	mm 650 / 650	650 / 650	650 / 650
GB plug	•	•	•
Energy Rating	A	A	A

Discontinuing December 2023 - New Model I95CAQ6N0B	Discontinuing December 2023 - New Model I95CAQ6N0B	Discontinuing December 2023 - New Model I95CAQ6W0B	Discontinuing December 2023 - New Model I95CAQ6N0B
CEILING FLAT MOTOR	CEILING	CEILING	CEILING COMPACT MOTOR
I94CAQ6N0B	I95CAQ6N0B	I95CAQ6W0B	I95CAP6N1B
N 50	N 50	N 50	N 50
Stainless Steel	Stainless Steel	White	Stainless Steel
•	•	•	
•	•	•	
Flat			Compact
•/•	•/•	•/•	•/•
•	•	•	•
•	•	•	•
•	•	•	•
•/•	•/•	•/•	•/•
3 + 2 Intensive	3 + 2 Intensive	3 + 2 Intensive	3 + 1 Intensive
•	•	•	•
10	10	10	10
4 x LED lights	4 x LED lights	4 x LED lights	4 x LED lights
•	•	•	•
2	2	2	2
Remote Control	Remote Control	Remote Control	Remote Control
Z52JXC1N1			Z52JXC1N1
Z52JXC1W1			Z52JXC1W1
	Z52JCC1N6	Z52JCC1N6	
	Z52JCC1W6	Z52JCC1W6	
	Z52JCD0N0	Z52JCD0N0	
	Z52JCD0W0	Z52JCD0W0	
900	900	900	900
252 / 198	265 / 200	265 / 200	190 / 167
336 / 257	335 / 316	335 / 316	265 / 221
434 / 336	458 / 422	458 / 422	400 / 423
581 / 466	594 / 513	594 / 513	
734 / 574	798 / 565	798 / 565	690 / 588
47 / 48	41 / 46	41 / 46	48 / 50
55 / 55	47 / 57	47 / 57	55 / 58
61 / 61	56 / 63	56 / 63	65 / 69
68 / 71	62 / 67	62 / 67	
72 / 74	68 / 69	68 / 69	73 / 74
150	150	150	150
650 / 650	650 / 650	650 / 650	650 / 900
•	•	•	•
B	A	A	B

¹Power automatically reverts back to normal setting after intensive. ²A type of recirculating kit is required if recirculating. ³Air Flow and noise declarations made in line with CECEC Code of Conduct. ⁴Measured according to EN61591 on largest pipe diameter. ⁵Sound power measured according to EN60704-3 on largest pipe diameter. ⁶From top of pan supports. Depending on the model, a 'Recirculating odour filter kit' will consist of the following items: Charcoal filter, flexible hose, air duct, fixing components, installation instructions.

Island Hoods



I96BMV5N5B Home Connect

I96BMP5N0B

I95GBE2N0B

Wall Installation Hood



D95FRM1S0B

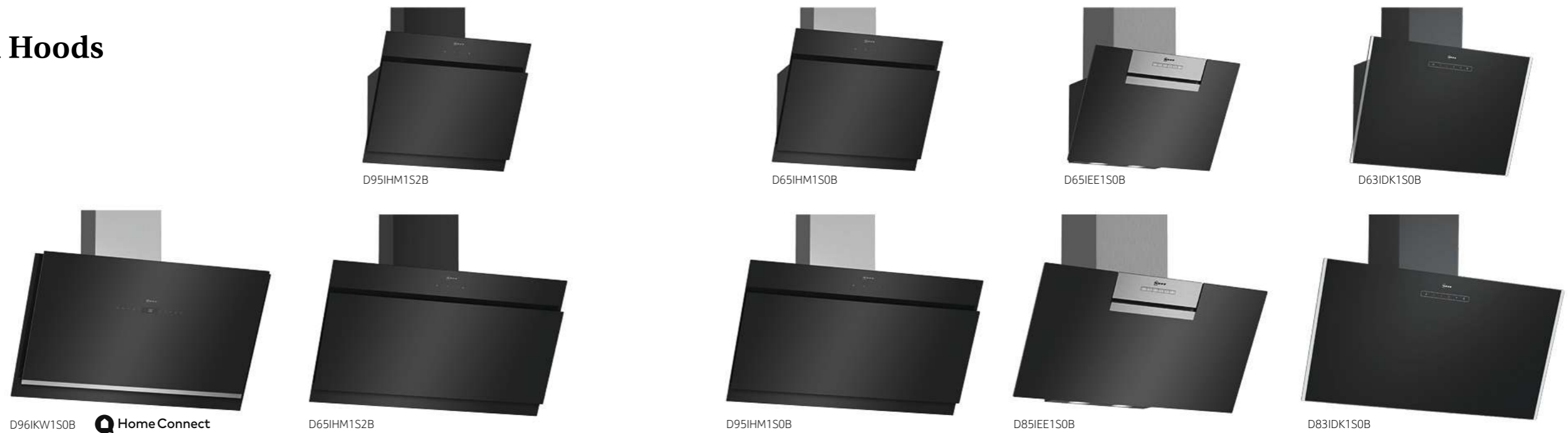
	Discontinuing December 2023		Discontinuing December 2023
HOOD TYPE	ISLAND	ISLAND	ISLAND
MODEL	I96BMV5N5B	I96BMP5N0B	I95GBE2N0B
COLLECTION	N 90	N 70	N 50
Colour	Stainless Steel	Stainless Steel	Stainless Steel & Glass
SPECIAL FEATURES			
Home Connect	●		
Adjustable LED white colour temperature	●		
Ambient light			
Climate control sensor	●		
Hob Hood control	●		
Efficient Drive	●	●	
Intensive setting / Automatic intensive revert ¹	● / ●	● / ●	● / ●
Boost position (Angled & Flat Hoods)			
NEFF Silence function	●	●	
Filter saturation indicator	●	●	
FEATURES			
Suitable for ducted operation / recirculating	● / ●	● / ●	● / ●
Electronic power level display	●	●	
Power levels	3 + 2 Intensive	3 + 2 Intensive	3 + 1 Intensive
NEFF Fresh Air (Interval operation)	●	●	
Automatic after running minutes	10	10	
Lighting	4 x LED lights	4 x LED lights	4 x LED lights
Softlight with dimmer function	●	●	
Number of metal grease filter cassettes	3	3	2
Type of control	Touch Control	Touch Control	Soft Touch
OPTIONAL ACCESSORIES²			
Standard recirculation kit ²	Z5106X5	Z5106X5	Z52CG1X4
CleanAir plus external recirculation module (Stainless Steel)	Z52XC2N6	Z52XC2N6	Z52CXC1N6
Long life external recirculation module (Stainless Steel)	Z52CBD2X1	Z52CBD2X1	
PERFORMANCE / TECHNICAL INFORMATION			
Appliance width mm	900	900	900
Extraction Rate in m³ / h^{3,4}			
Power level 1 ducted / recirculating	281 / 171	281 / 171	243 / 173
Power level 2 ducted / recirculating	361 / 266	361 / 266	328 / 253
Power level 3 ducted / recirculating	445 / 313	445 / 313	429 / 315
Intensive level 1 ducted / recirculating	657 / 364	657 / 364	732 / 384
Intensive level 2 ducted / recirculating	867 / 391	867 / 391	
Noise level (sound power) based on dB(A) re 1 pW^{3,5}			
Power level 1 ducted / recirculating	44 / 59	44 / 59	47 / 62
Power level 2 ducted / recirculating	49 / 68	49 / 68	54 / 69
Power level 3 ducted / recirculating	54 / 71	54 / 71	60 / 73
Intensive level 1 ducted / recirculating	63 / 73	63 / 73	71 / 77
Intensive level 2 ducted / recirculating	69 / 74	69 / 74	
Pipe outlet diameter mm	150 / 120	150 / 120	150 / 120
Minimum distance above an electric hob / gas hob ⁶ mm	550 / 650	550 / 650	550 / 650
GB plug	●	●	●
Energy Rating	A	A+	B

	Discontinuing April 2024
HOOD TYPE	CREATIVE SLIM
MODEL	D95FRM1S0B
COLLECTION	N 70
Colour	Creative Black Glass
SPECIAL FEATURES	
Home Connect	
Adjustable LED white colour temperature	
Ambient light	
Climate control sensor	
Hob Hood control	
Efficient Drive	●
Intensive setting / Automatic intensive revert ¹	● / ●
Boost position (Angled & Flat Hoods)	●
NEFF Silence function	
Filter saturation indicator	
FEATURES	
Suitable for ducted operation / recirculating	● / ●
Electronic power level display	
Power levels	3 + 1 Intensive
NEFF Fresh Air (Interval operation)	
Automatic after running minutes	
Lighting	2 x LED lights
Softlight with dimmer function	
Number of metal grease filter cassettes	2
Type of control	Touch Control
OPTIONAL ACCESSORIES²	
Standard recirculation kit	Z51AFU0X0
Standard recirculation kit (chimless installation)	Z51AFT0X0
CleanAir Plus Anti-Pollen Recirculation Kit	Z51AII1X6
CleanAir Plus Anti-Pollen Recirculation Kit (Chimless Installation)	Z51AIV1X6
Long life regenerative recirculation kit	Z51AFS0X0
Long life regenerative integrated recirculation kit	
Long life regenerative recirculation kit (chimless installation)	Z51AFR0X0
Black chimney	Z91AXE1S1
PERFORMANCE / TECHNICAL INFORMATION	
Appliance width mm	890
Extraction Rate in m³ / h^{3,4}	
Power level 1 ducted / recirculating	231 / 125
Power level 2 ducted / recirculating	331 / 214
Power level 3 ducted / recirculating	404 / 288
Intensive level 1 ducted / recirculating	739 / 510
Intensive level 2 ducted / recirculating	
Noise level (sound power) based on dB(A) re 1 pW^{3,5}	
Power level 1 ducted / recirculating	44 / 48
Power level 2 ducted / recirculating	53 / 58
Power level 3 ducted / recirculating	58 / 63
Intensive level 1 ducted / recirculating	71 / 73
Intensive level 2 ducted / recirculating	
Pipe outlet diameter mm	150/120
Minimum distance above an electric hob / gas hob ⁶ mm	450 / Not suitable
GB plug	●
Energy Rating	A

¹Power automatically reverts back to normal setting after intensive. ²A type of recirculating kit is required if recirculating. ³Air Flow and noise declarations made in line with CECEC Code of Conduct. ⁴Measured according to EN61591 on largest pipe diameter. ⁵Sound power measured according to EN60704-3 on largest pipe diameter. ⁶From top of pan supports. Depending on the model, a 'Recirculating odour filter kit' will consist of the following items: Charcoal filter, flexible hose, air duct, fixing components, installation instructions.

¹Power automatically reverts back to normal setting after intensive. ²A type of recirculating kit is required if recirculating. ³Air Flow and noise declarations made in line with CECEC Code of Conduct. ⁴Measured according to EN61591 on largest pipe diameter. ⁵Sound power measured according to EN60704-3 on largest pipe diameter. ⁶From top of pan supports. Depending on the model, a 'Recirculating odour filter kit' will consist of the following items: Charcoal filter, flexible hose, air duct, fixing components, installation instructions.

Wall Installation Hoods



HOOD TYPE	ANGLED	ANGLED	ANGLED
MODEL	D96IKW1S0B	D95IHM1S2B	D65IHM1S2B
COLLECTION	N 90	N 50	N 50
Colour	Black glass	Black glass with black Chimney	Black glass with black Chimney
SPECIAL FEATURES			
Home Connect	●		
Adjustable LED white colour temperature			
Ambient light	●		
Climate control sensor	●		
Hob Hood control	●		
Efficient Drive	●		
Intensive setting / Automatic intensive revert ¹	●/●	●/●	●/●
Boost position (Angled & Flat Hoods)	●		
NEFF Silence function	●		
Filter saturation indicator	●		
FEATURES			
Suitable for ducted operation / recirculating	●/●	●/●	●/●
Electronic power level display	●		
Power levels	3 + 2 Intensive	3 + 1 Intensive	3 + 1 Intensive
NEFF Fresh Air (Interval operation)	●		
Automatic after running	minutes 10		
Lighting	2 x LED lights	2 x LED lights	2 x LED lights
Softlight with dimmer function	●		
Number of metal grease filter cassettes	2	2	2
Type of control	Touch Control	Touch Control	Touch Control
OPTIONAL ACCESSORIES²			
Standard recirculation kit	Z51AIU0X0	Z51AIU0X0	Z51AIU0X0
Standard recirculation kit (chimless installation)	Z51AIT0X0	Z51AIT0X0	Z51AIT0X0
CleanAir Plus Anti-Pollen Recirculation Kit	Z51AI1X6	Z51AI1X6	Z51AI1X6
CleanAir Plus Anti-Pollen Recirculation Kit (Chimless Installation)	Z51AIV1X6	Z51AIV1X6	Z51AIV1X6
Long life regenerative recirculation kit	Z51AIS0X0	Z51AIS0X0	Z51AIS0X0
Long life regenerative integrated recirculation kit			
Long life regenerative recirculation kit (chimless installation)	Z51AIR0X0	Z51AIR0X0	Z51AIR0X0
Black chimney	Z91AXE1S1	Z91AXE1S1	Z91AXE1S1
PERFORMANCE / TECHNICAL INFORMATION			
Appliance width	mm 890	890	590
Extraction Rate in m³/h^{3,4}			
Power level 1 ducted / recirculating	293 / 192	253 / 218	253 / 218
Power level 2 ducted / recirculating	342 / 317	332 / 293	332 / 293
Power level 3 ducted / recirculating	467 / 430	416 / 388	416 / 388
Intensive level 1 ducted / recirculating	612 / 525	700 / 557	700 / 557
Intensive level 2 ducted / recirculating	837 / 583		
Noise level (sound power) based on dB(A) re 1 pW^{3,5}			
Power level 1 ducted / recirculating	43 / 50	48 / 55	48 / 55
Power level 2 ducted / recirculating	47 / 60	53 / 60	53 / 60
Power level 3 ducted / recirculating	55 / 67	58 / 66	58 / 66
Intensive level 1 ducted / recirculating	61 / 72	67 / 75	67 / 75
Intensive level 2 ducted / recirculating	67 / 75		
Pipe outlet diameter	mm 150 / 120	150 / 120	150 / 120
Minimum distance above an electric hob / gas hob ⁶	mm 450 / 600	450 / 600	450 / 600
GB plug	●	●	●
Energy Rating	A+	B	B

ANGLED	ANGLED	ANGLED	ANGLED	ANGLED	ANGLED
MODEL	D95IHM1S0B	D65IHM1S0B	D85IEE1S0B	D65IEE1S0B	D83IDK1S0B
COLLECTION	N 50	N 50	N 30	N 30	N 30
Colour	Black glass	Black glass	Stainless steel & black glass	Stainless steel & black glass	Stainless steel & black glass
SPECIAL FEATURES					
Home Connect					
Adjustable LED white colour temperature					
Ambient light					
Climate control sensor					
Hob Hood control					
Efficient Drive					
Intensive setting / Automatic intensive revert ¹	●/●	●/●	●/●	●/●	●/●
Boost position (Angled & Flat Hoods)					●
NEFF Silence function					●
Filter saturation indicator					
FEATURES					
Suitable for ducted operation / recirculating	●/●	●/●	●/●	●/●	●/●
Electronic power level display	●				●
Power levels	3 + 1 Intensive	3 + 1 Intensive	3 + 1 Intensive	3 + 1 Intensive	3 + 1 Intensive
NEFF Fresh Air (Interval operation)					
Automatic after running	minutes 10				
Lighting	2 x LED lights	2 x LED lights	2 x LED lights	2 x LED lights	2 x LED lights
Softlight with dimmer function	●				
Number of metal grease filter cassettes	2	2	2	2	1
Type of control	Touch Control	Touch Control	Touch Control	Touch Control	Touch Control
OPTIONAL ACCESSORIES²					
Standard recirculation kit	Z51AIU0X0	Z51AIU0X0	Z51EIU1X1	Z51EIU1X1	Z51GIU1X3
Standard recirculation kit (chimless installation)	Z51AIT0X0	Z51AIT0X0			Z51GIU1X3
CleanAir Plus Anti-Pollen Recirculation Kit	Z51AI1X6	Z51AI1X6			
CleanAir Plus Anti-Pollen Recirculation Kit (Chimless Installation)	Z51AIV1X6	Z51AIV1X6			
Long life regenerative recirculation kit	Z51AIS0X0	Z51AIS0X0			
Long life regenerative integrated recirculation kit					
Long life regenerative recirculation kit (chimless installation)	Z51AIR0X0	Z51AIR0X0	Z51FXJ0X0	Z51FXJ0X0	
Black chimney	Z91AXE1S1	Z91AXE1S1			
PERFORMANCE / TECHNICAL INFORMATION					
Appliance width	mm 890	590	800	600	790mm
Extraction Rate in m³/h^{3,4}					
Power level 1 ducted / recirculating	253 / 218	253 / 218	245 / 189	245 / 189	/215
Power level 2 ducted / recirculating	332 / 293	332 / 293	320 / 260	320 / 260	/300
Power level 3 ducted / recirculating	416 / 388	416 / 388	399 / 320	399 / 320	/445
Intensive level 1 ducted / recirculating	700 / 557	700 / 557	669 / 398	669 / 398	
Intensive level 2 ducted / recirculating					
Noise level (sound power) based on dB(A) re 1 pW^{3,5}					
Power level 1 ducted / recirculating	48 / 55	48 / 55	48 / 58	48 / 58	46/52
Power level 2 ducted / recirculating	53 / 60	53 / 60	55 / 65	55 / 65	53/62
Power level 3 ducted / recirculating	58 / 66	58 / 66	60 / 69	60 / 69	53/61
Intensive level 1 ducted / recirculating	67 / 75	67 / 75	69 / 76	69 / 76	65/73
Intensive level 2 ducted / recirculating					65/72
Pipe outlet diameter	mm 150 / 120	150 / 120	150 / 120	150 / 120	151
Minimum distance above an electric hob / gas hob ⁶	mm 450 / 600	450 / 600	450 / 600	450 / 600	450/651
GB plug	●	●	●	●	●
Energy Rating	B	B	B	B	A

¹Power automatically reverts back to normal setting after intensive. ²A type of recirculating kit is required if recirculating. ³Air Flow and noise declarations made in line with CECEC Code of Conduct. ⁴Measured according to EN61591 on largest pipe diameter. ⁵Sound power measured according to EN60704-3 on largest pipe diameter. ⁶From top of pan supports. Depending on the model, a 'Recirculating odour filter kit' will consist of the following items: Charcoal filter, flexible hose, air duct, fixing components, installation instructions.

Glass Chimney Hoods



D94AFM1N0B

D64AFM1N0B

D94ABC0N0B

Discontinuing
December 2023

HOOD TYPE	CURVED GLASS	CURVED GLASS	CURVED GLASS
90 CM MODEL	D94AFM1N0B		D94ABC0N0B
60CM MODEL		D64AFM1N0B	
COLLECTION	N 50	N 50	N 30
Colour	Stainless Steel & Glass	Stainless Steel & Glass	Stainless Steel & Glass
SPECIAL FEATURES			
Home Connect			
Adjustable LED white colour temperature			
Ambient light			
Climate control sensor			
Hob Hood control			
Efficient Drive			
Intensive setting / Automatic intensive revert ¹	● / ●	● / ●	
Boost position (Angled & Flat Hoods)			
NEFF Silence function			
Filter saturation indicator			
FEATURES			
Suitable for ducted operation / recirculating	● / ●	● / ●	● / ●
Electronic power level display			
Power levels	3 + 1 Intensive	3 + 1 Intensive	3
NEFF Fresh Air (Interval operation)			
Automatic after running minutes			
Lighting	2 x LED lights	2 x LED lights	2 x LED lights
Softlight with dimmer function			
Number of metal grease filter cassettes	2	1	2
Type of control	Touch Control	Touch Control	Push Buttons
OPTIONAL ACCESSORIES ²			
Standard recirculation kit	Z51DXU0X0	Z51DXU0X0	Z51DXU0X0
CleanAir plus external recirculation module (Stainless Steel)	Z51FXC1N6	Z51FXC1N6	Z51FXC1N6
CleanAir plus integrated recirculation kit	Z51DXI1X6	Z51DXI1X6	Z51DXI1X6
Long life regenerative integrated recirculation kit	Z51FXJ0X0	Z51FXJ0X0	Z51FXJ0X0
PERFORMANCE / TECHNICAL INFORMATION			
Appliance width mm	900	600	900
Extraction rate in m³/h ^{3,4}			
Power level 1 - ducted / recirculating	234 / 164	239 / 173	241 / 163
Power level 2 - ducted / recirculating	303 / 236	306 / 250	309 / 234
Power level 3 - ducted / recirculating	371 / 292	400 / 303	612 / 351
Intensive level 1 - ducted / recirculating	610 / 355	615 / 361	
Intensive level 2 - ducted / recirculating			
Noise level (sound power) based on db(a) re 1 pw ^{3,5}			
Power level 1 - ducted / recirculating	48 / 60	48 / 59	48 / 60
Power level 2 - ducted / recirculating	55 / 68	54 / 67	54 / 68
Power level 3 - ducted / recirculating	61 / 72	59 / 71	69 / 75
Intensive level 1 - ducted / recirculating	69 / 75	69 / 75	
Intensive level 2 - ducted / recirculating			
Pipe outlet diameter mm	150	120	150
Minimum distance above an electric hob / gas hob ⁶ mm	550	650	550
Gb plug	●	●	●
Energy rating	B	B	B



D64ABC0N0B

D94GBC0N0B

D64GBC0N0B

Discontinuing
December 2023

CURVED GLASS	STRAIGHT GLASS	STRAIGHT GLASS
D64ABC0N0B	D94GBC0N0B	D64GBC0N0B
N 30	N 30	N 30
Stainless Steel & Glass	Stainless Steel & Glass	Stainless Steel & Glass
SPECIAL FEATURES		
Home Connect		
Adjustable LED white colour temperature		
Ambient light		
Climate control sensor		
Hob Hood control		
Efficient Drive		
Intensive setting / Automatic intensive revert ¹	● / ●	● / ●
Boost position (Angled & Flat Hoods)		
NEFF Silence function		
Filter saturation indicator		
FEATURES		
Suitable for ducted operation / recirculating	● / ●	● / ●
Electronic power level display		
Power levels	3	3
NEFF Fresh Air (Interval operation)		
Automatic after running minutes		
Lighting	2 x LED lights	2 x LED lights
Softlight with dimmer function		
Number of metal grease filter cassettes	1	2
Type of control	Push Buttons	Push Buttons
OPTIONAL ACCESSORIES ²		
Standard recirculation kit	Z51DXU0X0	Z51DXU0X0
CleanAir plus external recirculation module (Stainless Steel)	Z51FXC1N6	Z51FXC1N6
CleanAir plus integrated recirculation kit	Z51DXI1X6	Z51DXI1X6
Long life regenerative integrated recirculation kit	Z51FXJ0X0	Z51FXJ0X0
PERFORMANCE / TECHNICAL INFORMATION		
Appliance width mm	600	900
Extraction rate in m³/h ^{3,4}		
Power level 1 - ducted / recirculating	241 / 172	261 / 181
Power level 2 - ducted / recirculating	309 / 245	326 / 252
Power level 3 - ducted / recirculating	612 / 365	650 / 361
Intensive level 1 - ducted / recirculating		
Intensive level 2 - ducted / recirculating		
Noise level (sound power) based on db(a) re 1 pw ^{3,5}		
Power level 1 - ducted / recirculating	46 / 60	48 / 60
Power level 2 - ducted / recirculating	53 / 67	55 / 67
Power level 3 - ducted / recirculating	68 / 75	69 / 76
Intensive level 1 - ducted / recirculating		
Intensive level 2 - ducted / recirculating		
Pipe outlet diameter mm	120	150
Minimum distance above an electric hob / gas hob ⁶ mm	650	550
Gb plug	●	●
Energy rating	B	A

¹Power automatically reverts back to normal setting after intensive. ²A type of recirculating kit is required if recirculating. ³Air Flow and noise declarations made in line with CECEC Code of Conduct. ⁴Measured according to EN61591 on largest pipe diameter. ⁵Sound power measured according to EN60704-3 on largest pipe diameter. ⁶From top of pan supports. Depending on the model, a 'Recirculating odour filter kit' will consist of the following items: Charcoal filter, flexible hose, air duct, fixing components, installation instructions.

Box Chimney Hoods



D96BMV5N5B Home Connect



D65BMP5N0B



D95BMP5N0B



D64BHM1N0B



D62BBC0N0B



D94BHM1N0B



D92BBC0N0B

	Discontinuing December 2023		
HOOD TYPE	BOX CHIMNEY	BOX CHIMNEY	BOX CHIMNEY
90 CM MODEL	D96BMV5N5B	D95BMP5N0B	D65BMP5N0B
60CM MODEL			
COLLECTION	N 90	N 70	N 70
Colour	Stainless steel	Stainless steel	Stainless steel
SPECIAL FEATURES			
Home Connect	•		
Adjustable LED white colour temperature	•		
Ambient light	•		
Climate control sensor	•		
Hob Hood control	•		
Efficient Drive		•	•
Intensive setting / Automatic intensive revert ¹	•/•	•/•	•/•
Boost position (Angled & Flat Hoods)			
NEFF Silence function	•	•	•
Filter saturation indicator	•	•	•
FEATURES			
Suitable for ducted operation/recirculating	•/•	•/•	•/•
Electronic power level display	•	•	•
Power levels	3 + 2 Intensive	3 + 2 Intensive	3 + 2 Intensive
NEFF Fresh Air (Interval operation)	•	•	•
Automatic after running minutes	10	10	10
Lighting	3 x LED lights	3 x LED lights	2 x LED lights
Softlight with dimmer function	•	•	•
Number of metal grease filter cassettes	3	3	2
Type of control	Touch Control	Touch Control	Touch Control
OPTIONAL ACCESSORIES²			
Standard recirculation kit	Z5102X5	Z5102X5	Z5102X5
CleanAir plus external recirculation module (Stainless Steel)	Z51XC2N6	Z51XC2N6	Z51XC2N6
CleanAir plus integrated recirculation kit	Z51CX1X6	Z51CX1X6	Z51CX1X6
Long life regenerative integrated recirculation kit	Z51FXJ0X5	Z51FXJ0X5	Z51FXJ0X5
Long life regenerative integrated recirculation kit			
PERFORMANCE / TECHNICAL INFORMATION			
Appliance width mm	900	900	600
Extraction Rate in m³/h^{3,4}			
Power level 1 ducted / recirculating	273 / 168	289 / 168	247 / 159
Power level 2 ducted / recirculating	347 / 265	340 / 266	327 / 237
Power level 3 ducted / recirculating	430 / 311	427 / 324	413 / 281
Intensive level 1 ducted / recirculating	637 / 359	525 / 352	503 / 299
Intensive level 2 ducted / recirculating	843 / 385	702 / 378	657 / 322
Noise level (sound power) based on dB(A) re 1 pW^{3,5}			
Power level 1 ducted / recirculating	46 / 58	45 / 55	46 / 59
Power level 2 ducted / recirculating	51 / 66	50 / 65	55 / 68
Power level 3 ducted / recirculating	55 / 69	55 / 70	61 / 72
Intensive level 1 ducted / recirculating	64 / 72	60 / 72	66 / 74
Intensive level 2 ducted / recirculating	69 / 74	66 / 73	71 / 75
Pipe outlet diameter mm	150 / 120	150 / 120	150 / 120
Minimum distance above an electric hob / gas hob ⁶ mm	550 / 650	550 / 650	550 / 650
GB plug	•	•	•
Energy Rating	A+	A	A

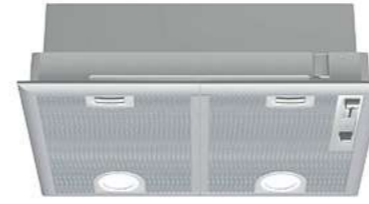
BOX CHIMNEY	BOX CHIMNEY	BOX CHIMNEY	BOX CHIMNEY
D94BHM1N0B	D64BHM1N0B	D92BBC0N0B	D62BBC0N0B
N 50	N 50	N 30	N 30
Stainless steel	Stainless steel	Stainless steel	Stainless steel
SPECIAL FEATURES			
Home Connect			
Adjustable LED white colour temperature			
Ambient light			
Climate control sensor			
Hob Hood control			
Efficient Drive			
Intensive setting / Automatic intensive revert ¹	•		
Boost position (Angled & Flat Hoods)			
NEFF Silence function			
Filter saturation indicator			
FEATURES			
Suitable for ducted operation/recirculating	•	•	•
Electronic power level display			
Power levels	3 + 1 Intensive	3 + 1 Intensive	3
NEFF Fresh Air (Interval operation)			
Automatic after running minutes			
Lighting	2 x LED lights	2 x LED lights	2 x LED lights
Softlight with dimmer function			
Number of metal grease filter cassettes	3	2	3
Type of control	Touch Control	Touch Control	Push Buttons
OPTIONAL ACCESSORIES²			
Standard recirculation kit	Z51DXU0X0	Z51DXU0X0	Z51DXU0X0
CleanAir plus external recirculation module (Stainless Steel)	Z51FXC1N6	Z51FXC1N6	Z51FXC1N6
CleanAir plus integrated recirculation kit	Z51DX1X6	Z51DX1X6	Z51DX1X6
Long life regenerative integrated recirculation kit	Z51FXJ0X0	Z51FXJ0X0	Z51FXJ0X0
Long life regenerative integrated recirculation kit			
PERFORMANCE / TECHNICAL INFORMATION			
Appliance width mm	900	600	900
Extraction Rate in m³/h^{3,4}			
Power level 1 ducted / recirculating	222 / 147	238 / 150	198 / 120
Power level 2 ducted / recirculating	293 / 228	302 / 220	263 / 162
Power level 3 ducted / recirculating	372 / 290	368 / 281	365 / 195
Intensive level 1 ducted / recirculating	604 / 360	605 / 348	365 / 197
Noise level (sound power) based on dB(A) re 1 pW^{3,5}			
Power level 1 ducted / recirculating	48 / 57	48 / 57	49 / 55
Power level 2 ducted / recirculating	54 / 66	54 / 66	57 / 61
Power level 3 ducted / recirculating	60 / 71	60 / 71	64 / 66
Intensive level 1 ducted / recirculating	70 / 75	69 / 75	
Intensive level 2 ducted / recirculating			
Pipe outlet diameter mm	150 / 120	150 / 120	150 / 120
Minimum distance above an electric hob / gas hob ⁶ mm	550 / 650	550 / 650	550 / 650
GB plug	•	•	•
Energy Rating	B	B	D

¹Power automatically reverts back to normal setting after intensive. ²A type of recirculating kit is required if recirculating. ³Air Flow and noise declarations made in line with CECEC Code of Conduct. ⁴Measured according to EN61591 on largest pipe diameter. ⁵Sound power measured according to EN60704-3 on largest pipe diameter. ⁶From top of pan supports. Depending on the model, a 'Recirculating odour filter kit' will consist of the following items: Charcoal filter, flexible hose, air duct, fixing components, installation instructions.

Canopy Hoods



D55MH56N0B



D5655X1GB



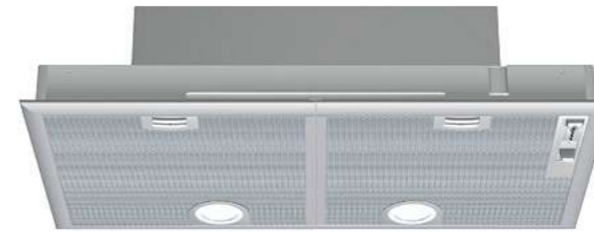
D51NAA1C0B



D57ML67N1B



D57MH56N0B



D5855X1GB

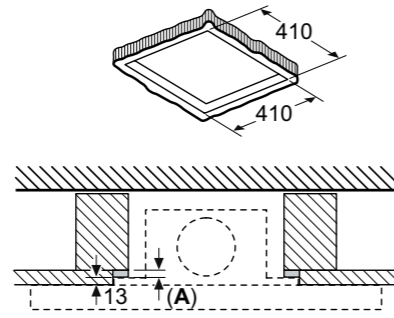
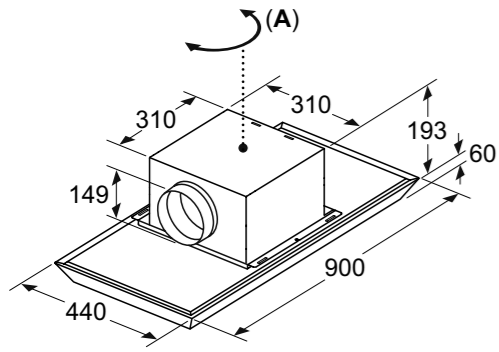
HOOD TYPE	CANOPY	CANOPY	
WIDE MODEL	D57ML67N1B	D57MH56N0B	
STANDARD MODEL		D55MH56N0B	
COLLECTION	N 90	N 50	
Colour	Stainless Steel and Black Glass	Stainless steel	
SPECIAL FEATURES			
Home Connect			
Adjustable LED white colour temperature			
Ambient light			
Climate control sensor			
Hob Hood control			
Efficient Drive			
Intensive setting / Automatic intensive revert ¹	● / ●		● / ●
NEFF Silence function			
Filter saturation indicator	●		
FEATURES			
Suitable for ducted operation / recirculating	● / ●		● / ●
Furniture door required			
Electronic power level display			
NEFF Fresh Air (Interval operation)			
Automatic after running	minutes	30	
Lighting	2 x LED lights		2 x LED lights
Softlight with dimmer function	●		
Type of control	Soft Touch		Soft Touch
Power levels	3 + 1 Intensive		3 + 1 Intensive
Number of metal grease filter cassettes	2	2	1
OPTIONAL ACCESSORIES ²			
Standard recirculation filter / kit	Z5135X3		Z5135X3
CleanAir plus anti-pollen recirculation kit	Z51XC1X6		Z51XC1X6
Long life regenerative recirculation kit	Z51TD1X1		Z51TD1X1
PERFORMANCE / TECHNICAL INFORMATION			
Appliance width	mm	700	700
Extraction Rate in m ³ /h ^{3,4}			520
Ducted power level 1 / recirculating power level 1		210 / 170	345 / 210
Ducted power level 2 / recirculating power level 2		380 / 250	540 / 270
Ducted power level 3 / recirculating power level 3		575 / 310	630 / 300
Ducted intensive / recirculating intensive		775 / 380	730 / 310
520			650 / 290
Noise level (sound power) based on dB(A) re 1 pW ^{3,5}			
Ducted power level 1 / recirculating power level 1		46 / 57	53 / 69
Ducted power level 2 / recirculating power level 2		55 / 66	63 / 71
Ducted power level 3 / recirculating power level 3		64 / 71	66 / 73
Ducted intensive / recirculating intensive		70 / 75	69 / 74
70 / 74			150 / 120
Pipe outlet diameter	mm	150 / 120	500 / 650
Minimum distance above an electric hob / gas hob ⁶	mm	500 / 650	
GB plug		●	●
Energy		A++	C

CANOPY		CANOPY	
D5855X1GB		D51NAA1C0B	
D5655X1GB		N 30	
N 30		Silver Metallic Lacquer	
Silver metallic lacquer		Silver Metallic Lacquer	
SPECIAL FEATURES			
Home Connect			
Adjustable LED white colour temperature			
Ambient light			
Climate control sensor			
Hob Hood control			
Efficient Drive			
Intensive setting / Automatic intensive revert ¹			
NEFF Silence function			
Filter saturation indicator			
FEATURES			
Suitable for ducted operation / recirculating			
Furniture door required			
Electronic power level display			
NEFF Fresh Air (Interval operation)			
Automatic after running			
minutes			
Lighting			
Softlight with dimmer function			
Type of control			
Power levels			
Number of metal grease filter cassettes			
OPTIONAL ACCESSORIES ²			
Standard recirculation filter / kit			
CleanAir plus anti-pollen recirculation kit			
Long life regenerative recirculation kit			
PERFORMANCE / TECHNICAL INFORMATION			
Appliance width			
mm			
700			
730			
530			
530			
198 / 139			
196 / 134			
130 / 110			
287 / 206			
280 / 198			
160 / 160			
379 / 278			
362 / 268			
302 / 300			
638 / 408			
618 / 395			
38 / 49			
38 / 49			
46 / 49			
49 / 58			
49 / 58			
50 / 53			
56 / 65			
56 / 64			
62 / 65			
68 / 72			
68 / 72			
150 / 120			
120			
650 / 650			
550 / 650			
●			
●			
C			
D			

¹Power automatically reverts back to normal setting after intensive. ²A type of recirculating kit is required if recirculating. ³Air Flow and noise declarations made in line with CECEC Code of Conduct. ⁴Measured according to EN61591 on largest pipe diameter. ⁵Sound power measured according to EN60704-3 on largest pipe diameter. ⁶From top of pan supports. Depending on the model, a 'Recirculating odour filter kit' will consist of the following items: Charcoal filter, flexible hose, air duct, fixing components, installation instructions.

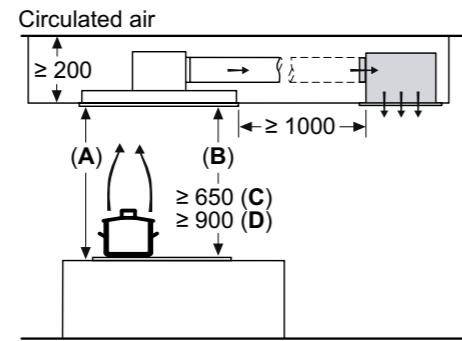
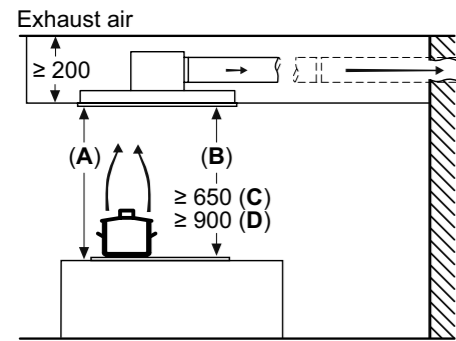
Ceiling Installation Hoods

I95CAP6N1B



A: The fan outlet can be turned in all four directions

A: If required, even out the ceiling thickness to 13 mm using wooden spacers.

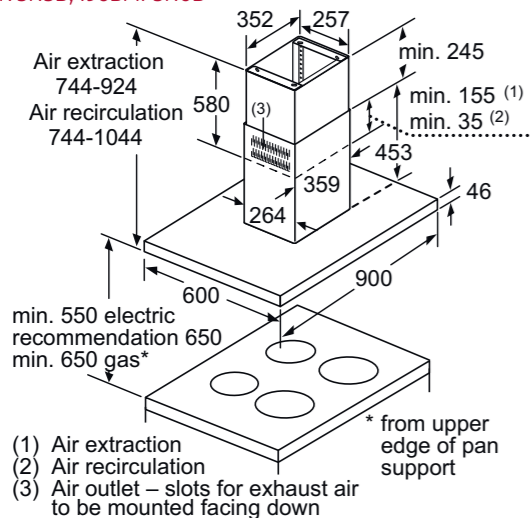


A: Optimum performance 700-1500
B: From upper edge of pan support
C: Electric
D: Gas

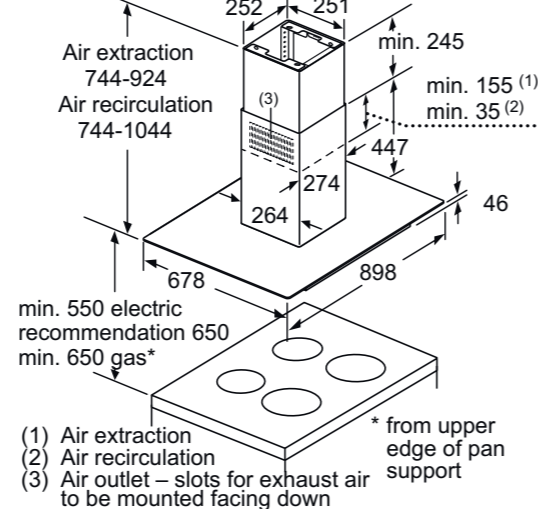
A: Optimum performance 700-1500
B: From upper edge of pan support
C: Electric
D: Gas

Island Hoods

I96BMV5N5B, I96BMP5N0B



I95GBE2N0B

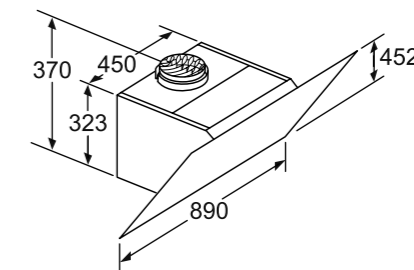
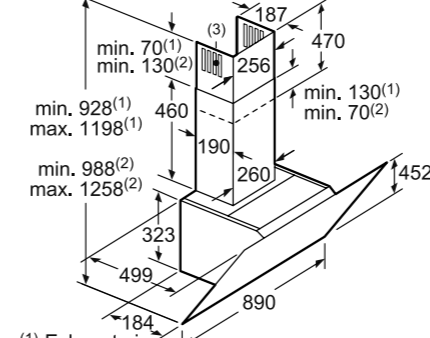


(1) Air extraction
(2) Air recirculation
(3) Air outlet – slots for exhaust air to be mounted facing down

(1) Air extraction
(2) Air recirculation
(3) Air outlet – slots for exhaust air to be mounted facing down

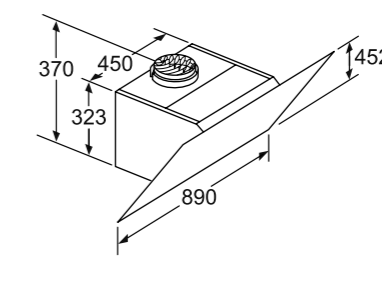
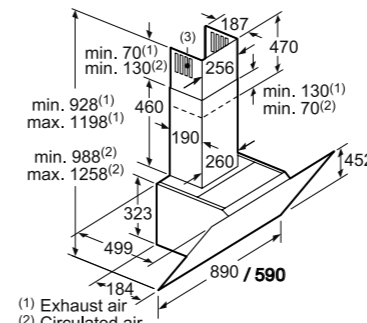
Wall Installation Hoods

D96IKW1S0B, D95IHM1S2B



(1) Exhaust air
(2) Circulated air
(3) Air outlet – slot for exhaust air mounted facing down

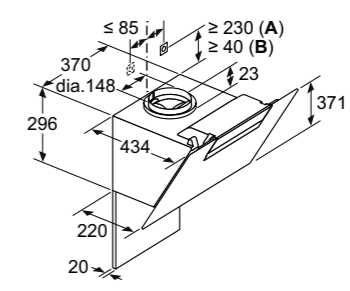
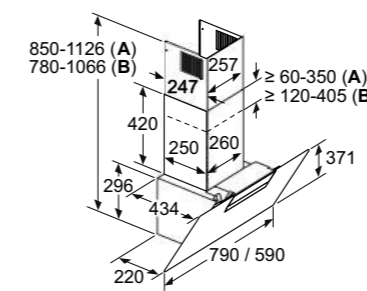
D95IHM1S0B, D65IHM1S0B, D65IHM1S2B



(1) Exhaust air
(2) Circulated air
(3) Air outlet – slot for exhaust air mounted facing down

Appliance in circulated air mode without duct
Circulated air set required

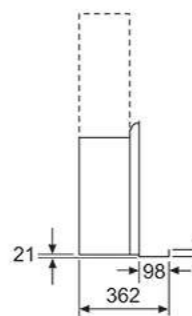
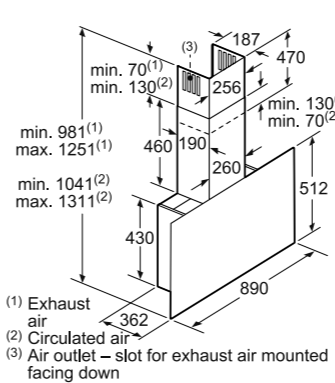
D85IEE1S0B, D65IEE1S0B



A: Circulated air
B: Exhaust air – slots to be mounted facing down

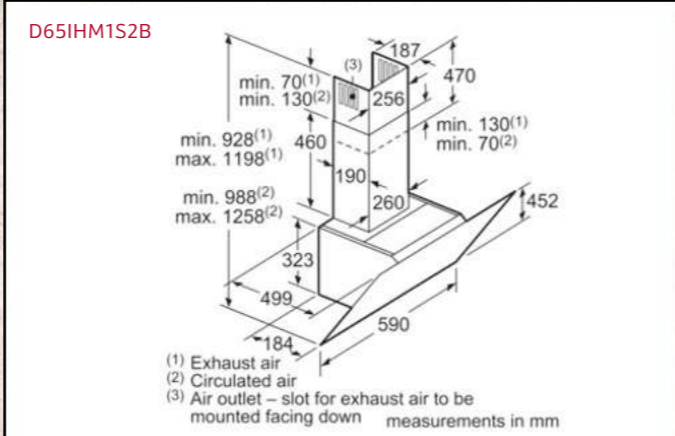
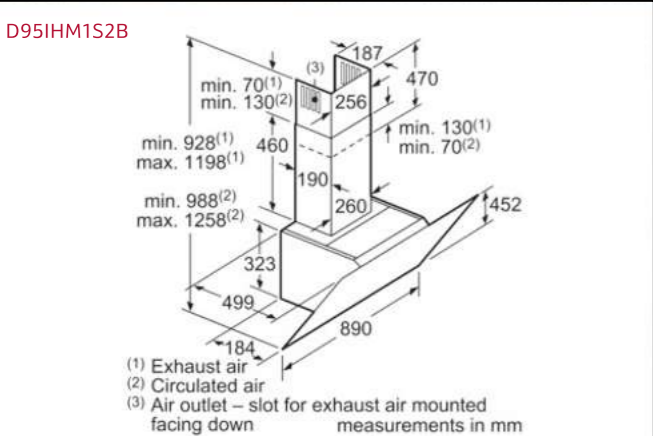
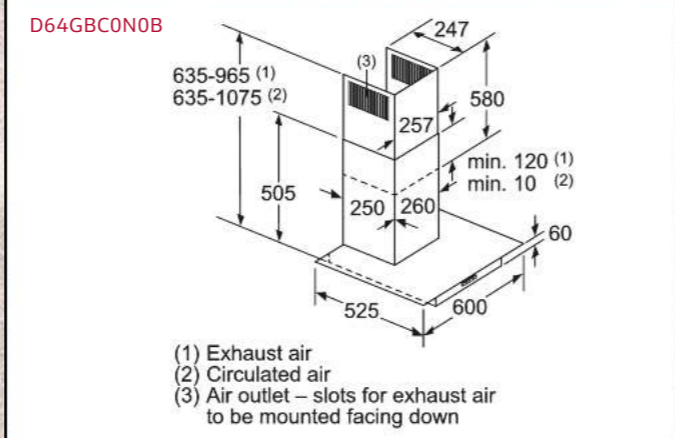
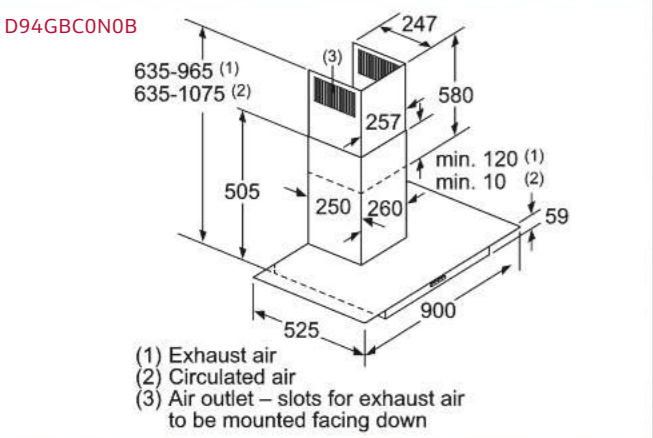
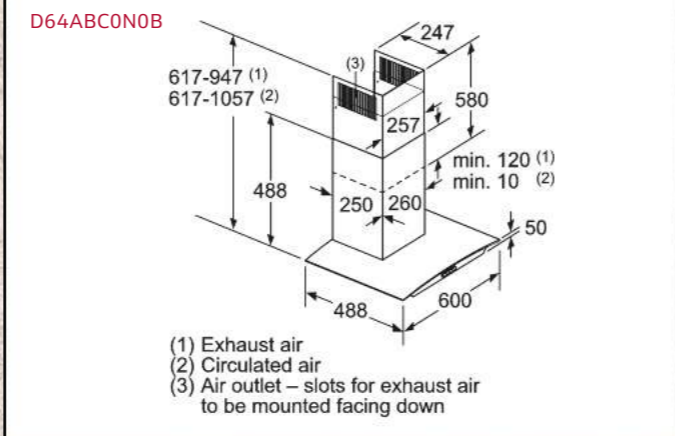
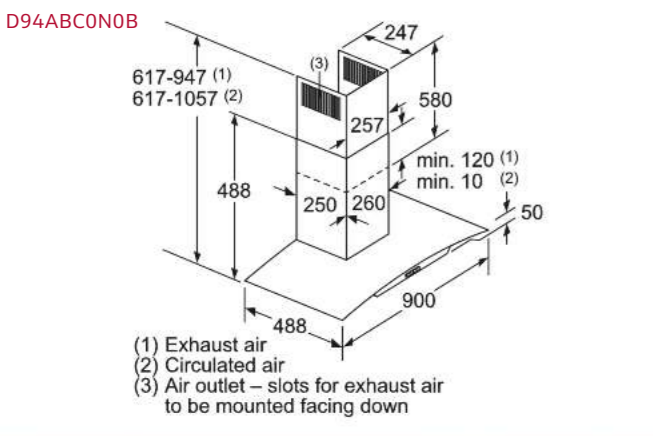
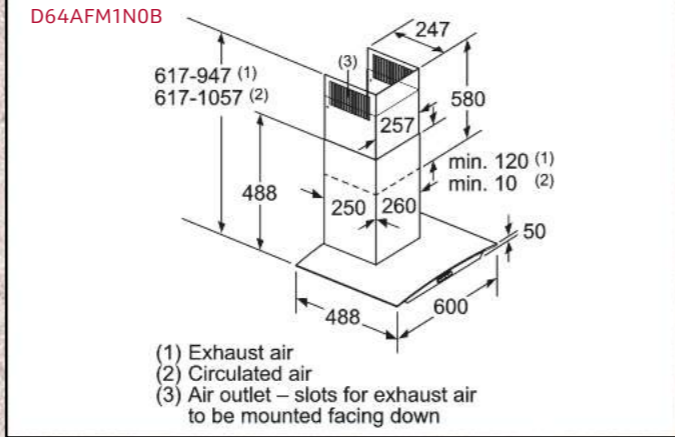
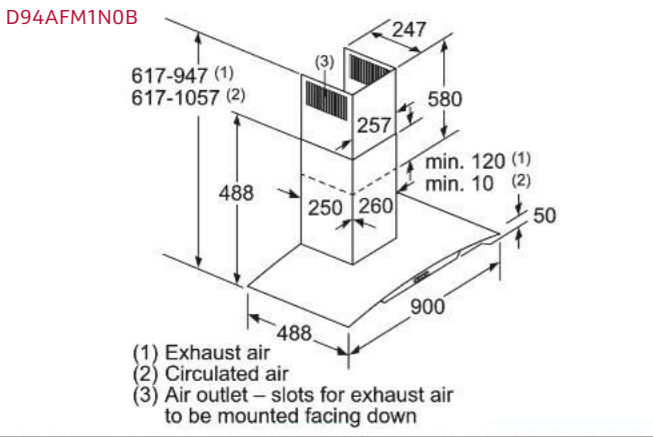
A: Integrated Clean Air
B: Exhaust air or standard circulated air set
Note the maximum thickness of the back panel.

D95FRM1S0B

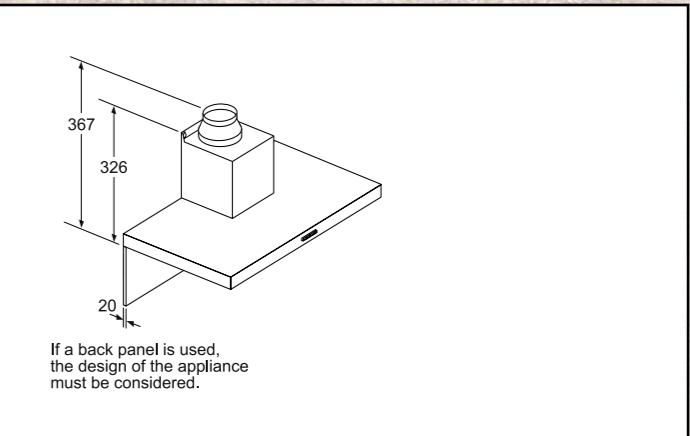
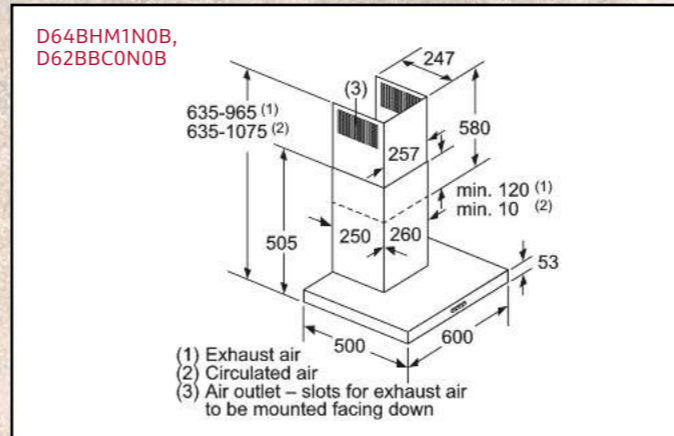
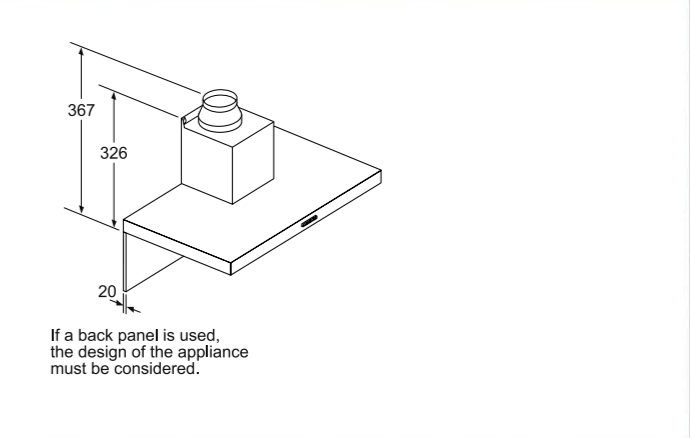
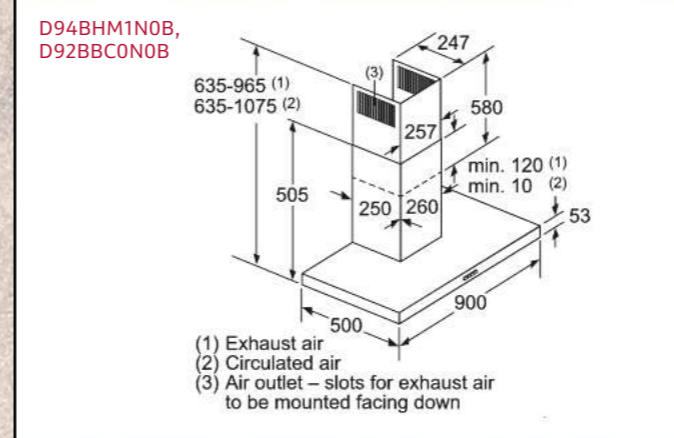
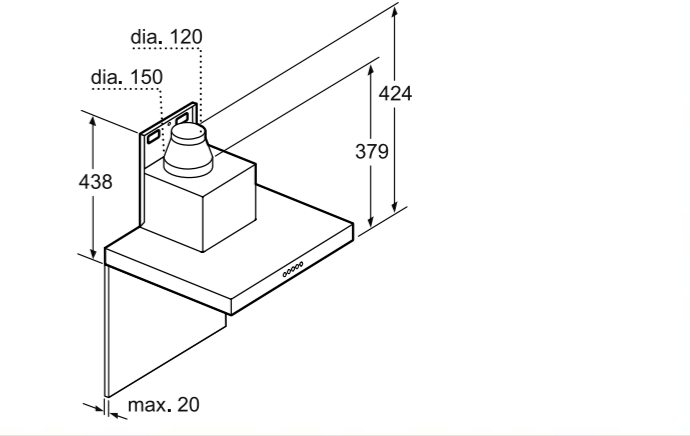
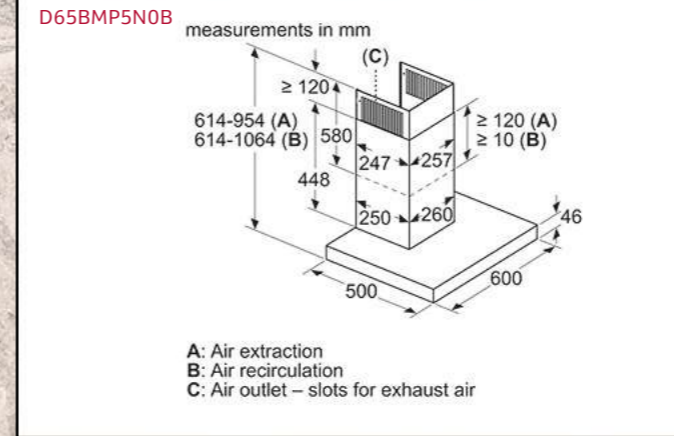
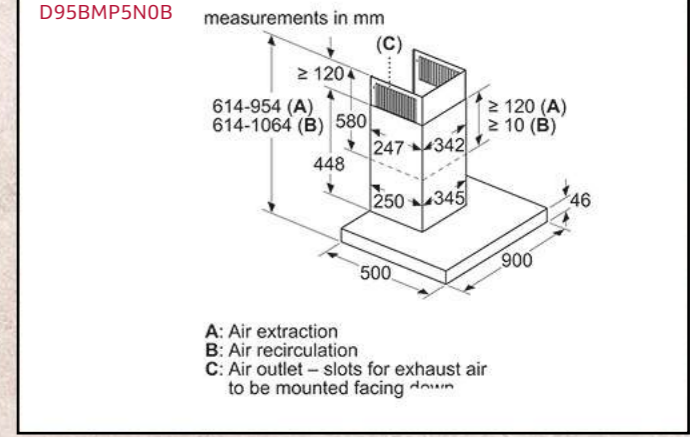
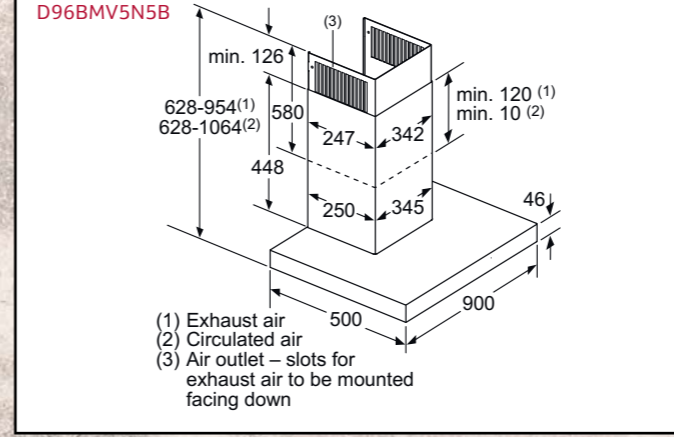


(1) Exhaust air
(2) Circulated air
(3) Air outlet – slot for exhaust air mounted facing down

Glass Chimney Hoods

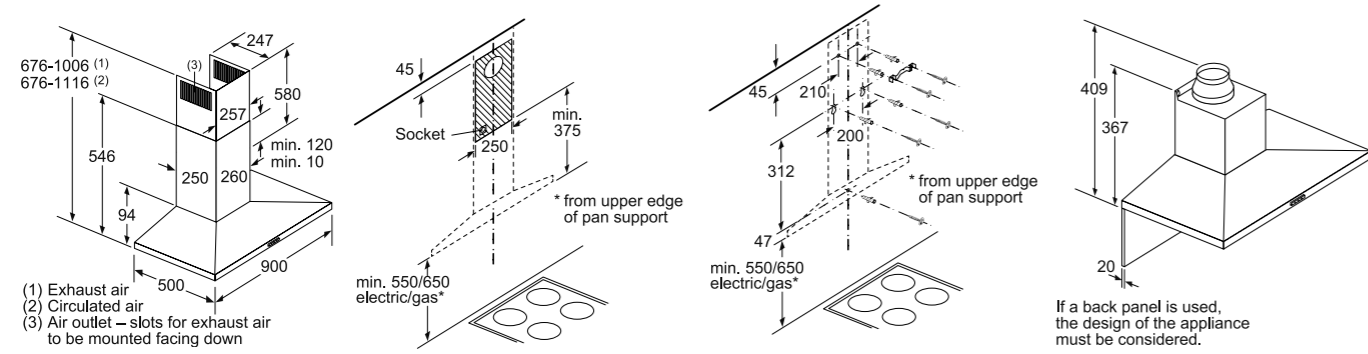


Box Chimney Hoods



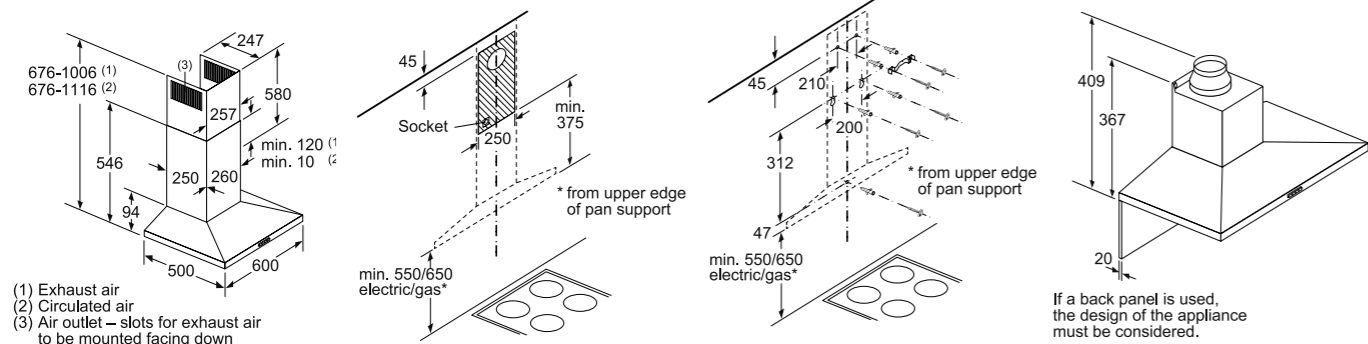
Pyramid Chimney Hoods

D94QFM1N0B, D92QBC0N0B



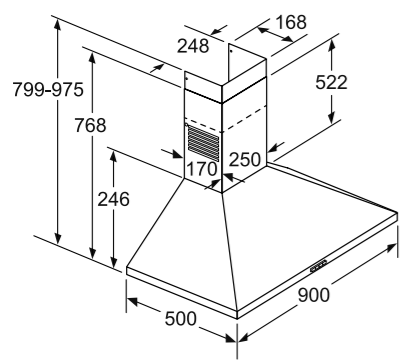
- (1) Exhaust air
- (2) Circulated air
- (3) Air outlet – slots for exhaust air to be mounted facing down

D64QFM1N0B, D62QBC0N0B

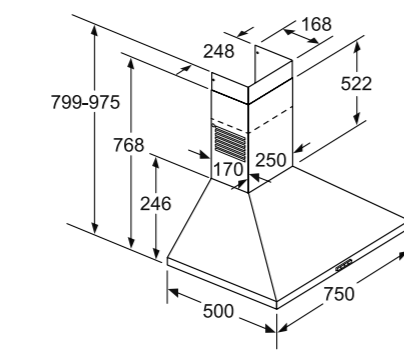


- (1) Exhaust air
- (2) Circulated air
- (3) Air outlet – slots for exhaust air to be mounted facing down

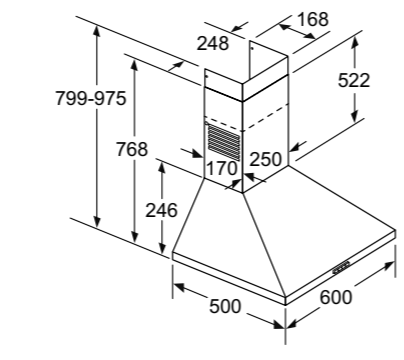
D92PBC0N0B



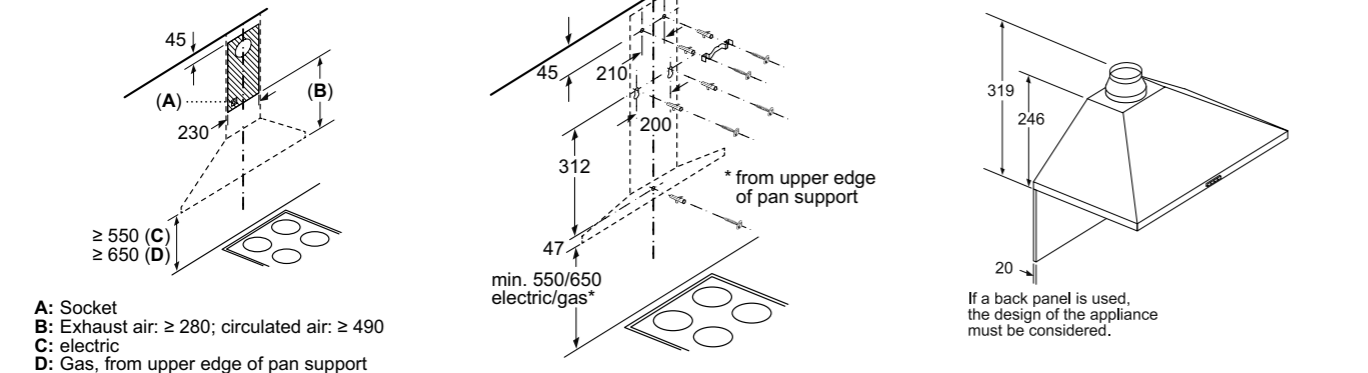
D72PBC0N0B



D62PBC0N0B



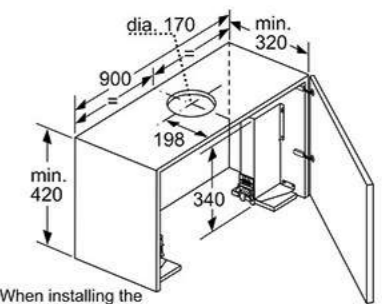
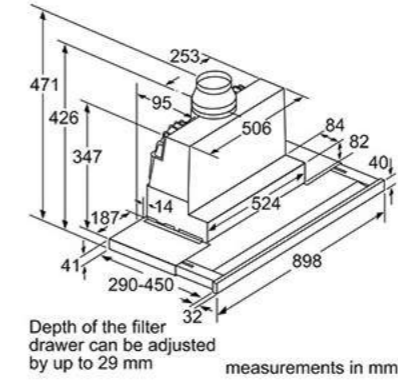
D92PBC0N0B, D72PBC0N0B, D62PBC0N0B



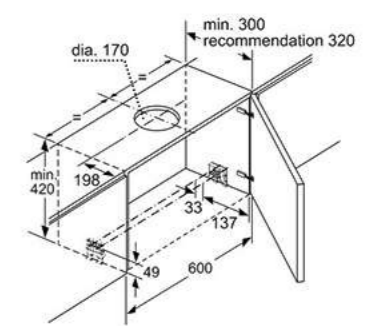
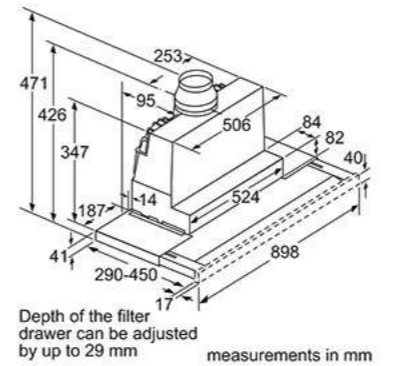
- A: Socket
- B: Exhaust air: ≥ 280 ; circulated air: ≥ 490
- C: electric
- D: Gas, from upper edge of pan support

Telescopic Hoods

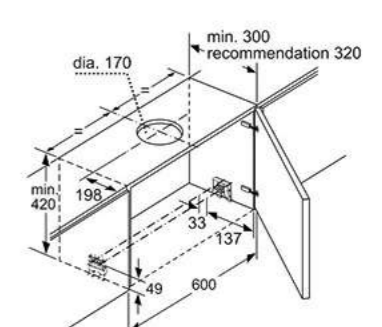
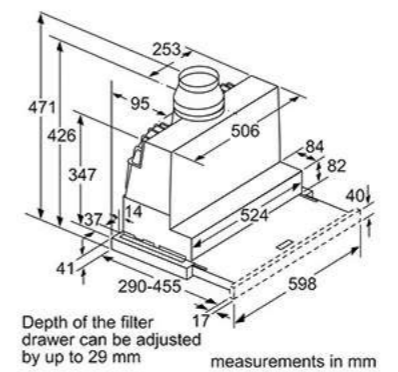
D49PU54X1B



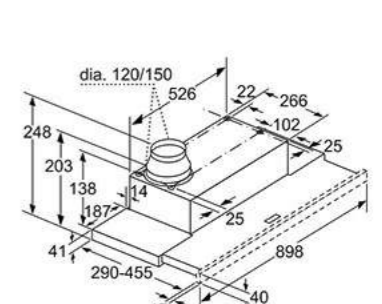
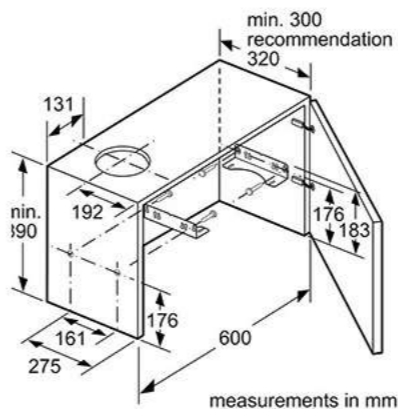
D49ML54N1B



D46ML54N1B

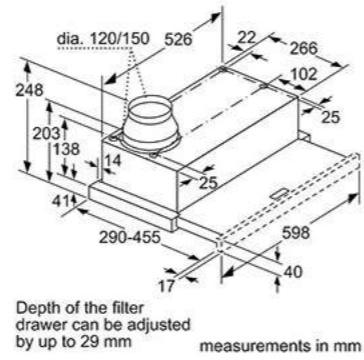
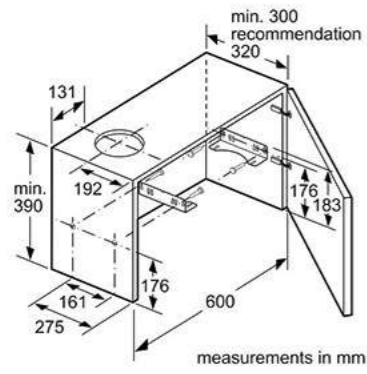


D49ED22N1B

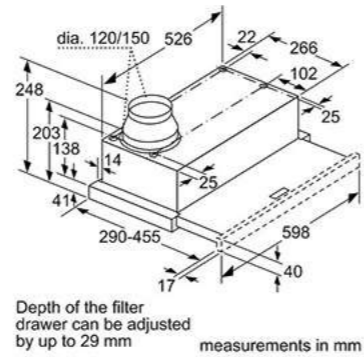
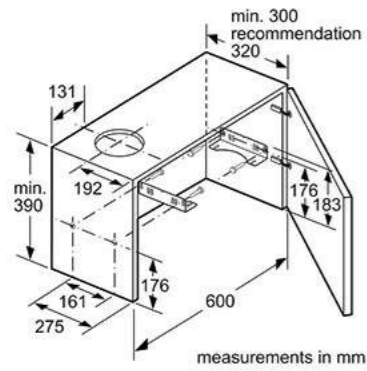


Telescopic Hoods

D46ED22N1B

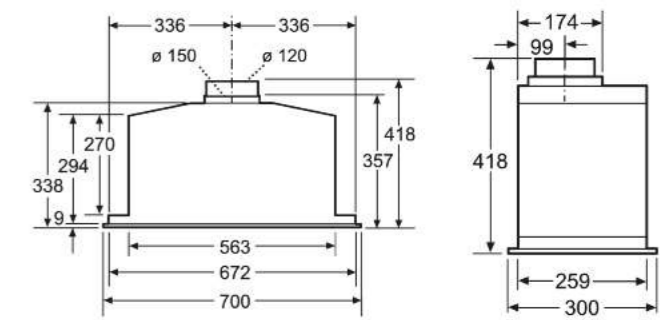
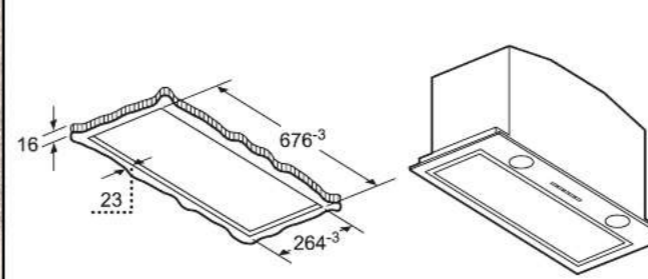


D46BR22N1B

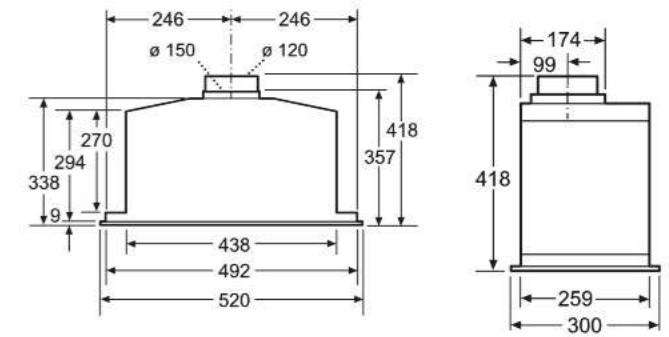
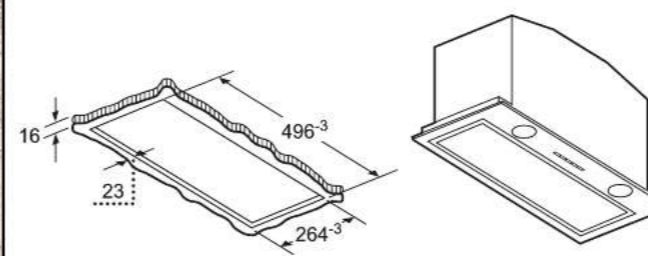


Canopy Hoods

D57ML67N1B, D57MH56N0B

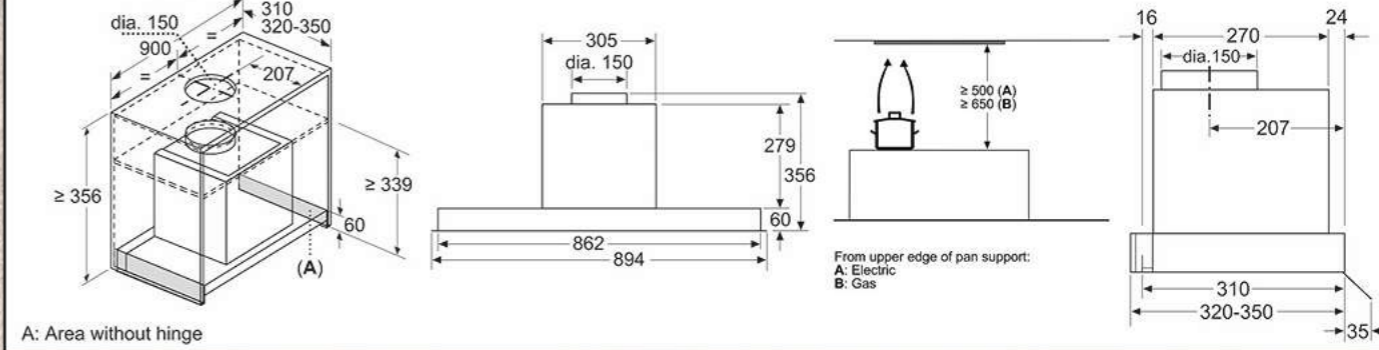


D55MH56N0B

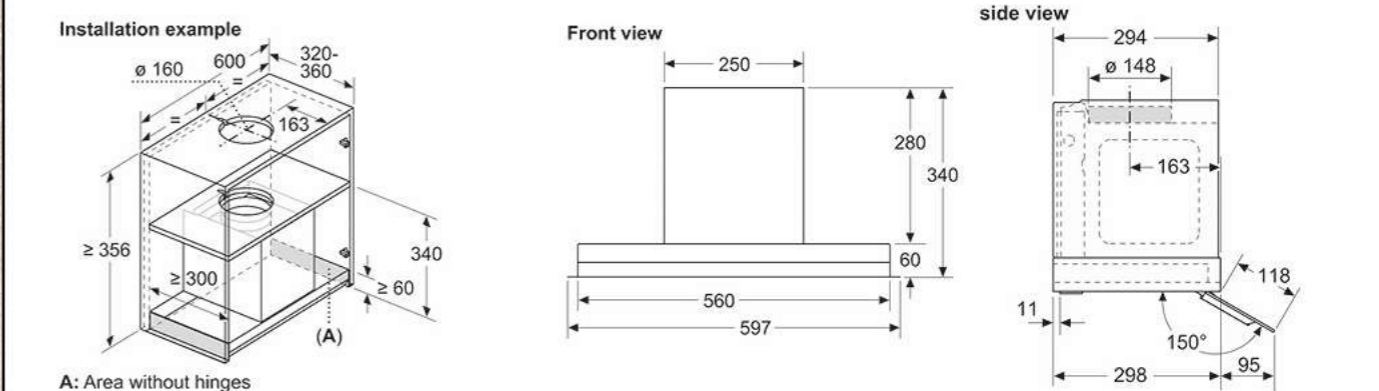


Integrated Design Hoods

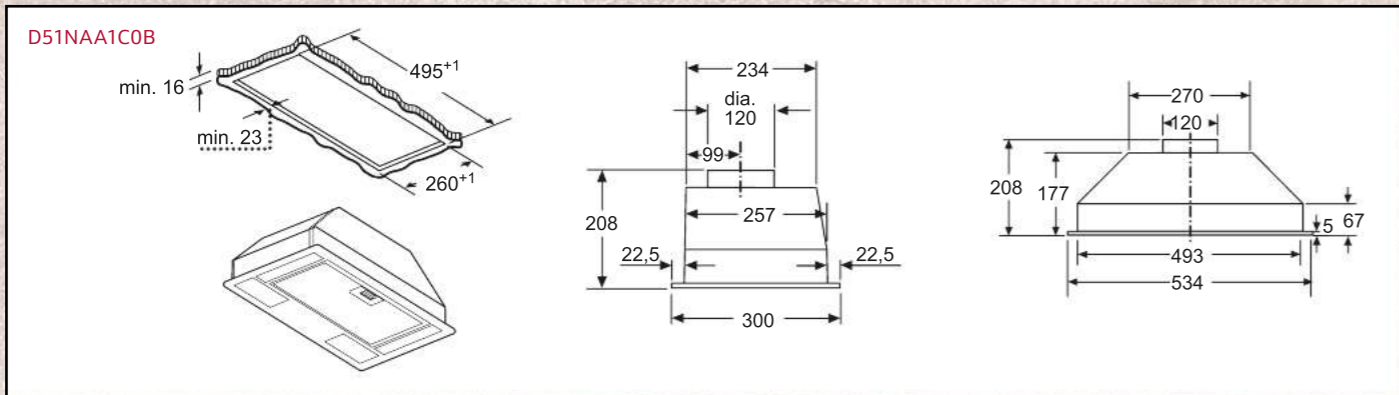
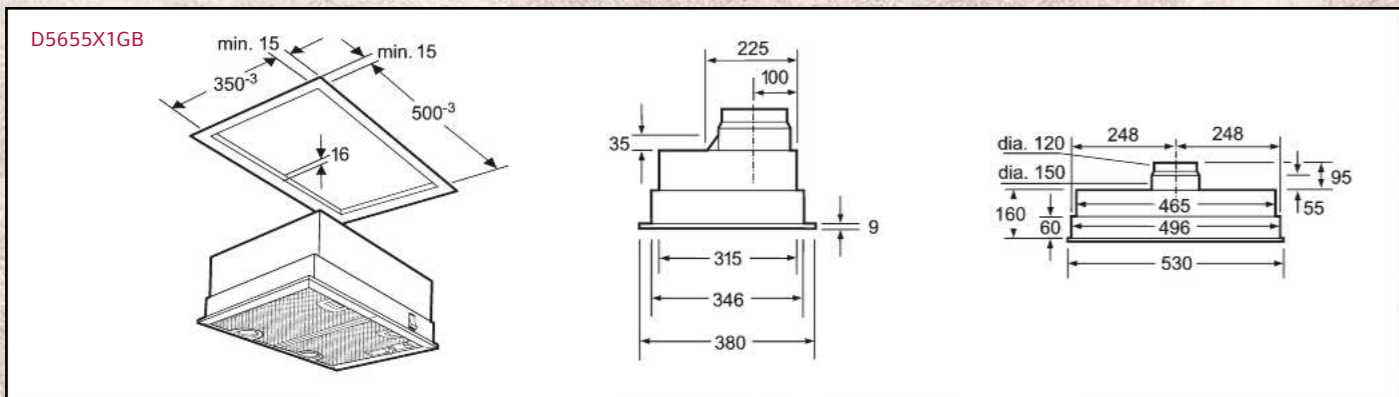
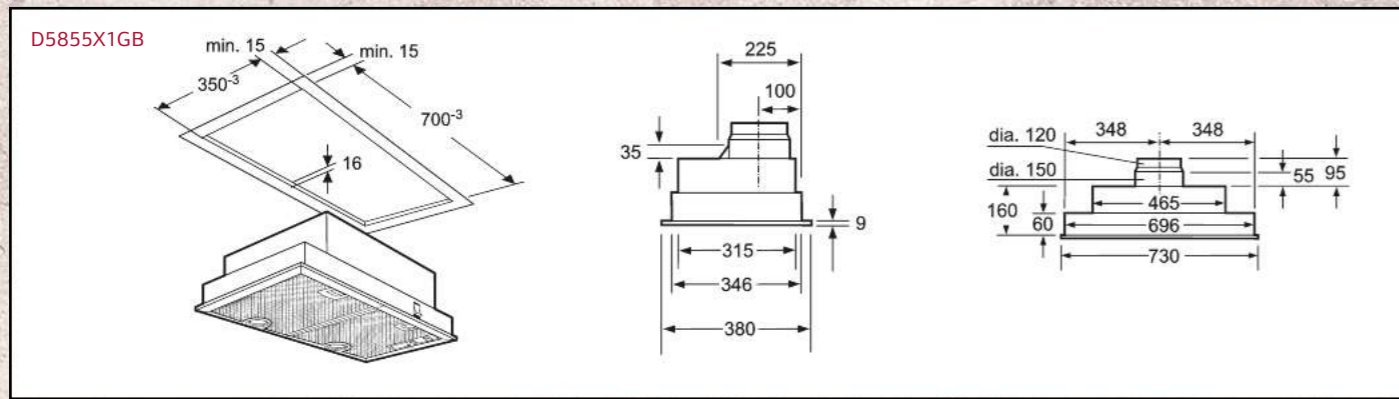
D95XAM2S0B



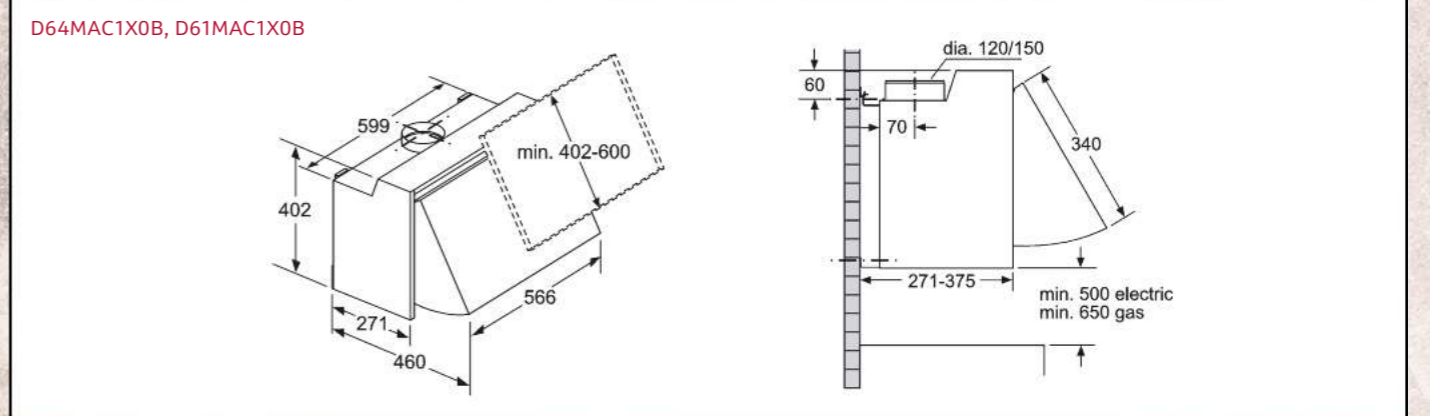
D65XAM2S0B



Canopy Hoods



Integrated Hoods



Your Guide To Refrigeration

A style for all food lovers

Fresh, seasonal ingredients are a staple in any NEFF kitchen. That's why the right food storage is so important: all our models – whether it's a large American-style fridge freezer that can cope with the demands of a hungry family, or a side-by-side fridge freezer that integrates seamlessly into the kitchen furniture – NEFF give you the flexibility to keep your fruit, vegetables and herbs crisp and vibrant for longer.



Built-In Fridge/Freezer

Designed to fit in a single housing unit, our range of fridge freezers include models from the tall larder style to more compact styles. All of our fridge freezers have a 4 star rating.

KI8865DE0
Built-in fridge freezer N 90



American-Style Fridge Freezer

It's big, bold, and there's enough space for even the largest family's chilled and frozen food. You'll also find an ice and water dispenser to keep you cool all year round.

KA3923IE0G
American-style fridge freezer N 70



Built-Under Fridge Freezer

Our integrated fridge with a four star freezer fits neatly under the work surface and provides a compact, flexible cooling solution for busy kitchens.

K4336XFF0G
Built-under single door fridge N 50



Wine Cabinets

Introduced in 2021, our new wine cabinets keep wine comfortably stored at the ideal drinking temperature. This ensures the joy of a delicious meal by offering an optimal taste experience through and through – namely by fantastic food and exquisite wine.

KU9213HG0G
Built-under wine cabinet N 70



The new XL & XXL built-in fridge freezers

With the new NEFF Integrated XL and XXL fridge freezers, you can enjoy a large cooling space that's as flexible as life. Discover the flexible possibilities for large capacity food storage, from storing multiple cakes to giant watermelons. At the same time the XL and XXL built-in fridges integrate seamlessly into your kitchen,

making the big inside no big deal from the outside. The combinations of fridge, freezer and door compartments allow large families or passionate cooks to effortlessly store food for large parties without having to constantly rearrange everything. This saves you more time for your creative culinary ideas.

Standard
KI7866DD0
55.8 cm width
177.2 cm height

XL
KI7966FD0
55.8 cm width
193.5 cm height
+11%
*Compared to standard size fridge

XXL
KB7966DD0
70.8 cm width
193.5 cm height
+45%
*Compared to standard size fridge

Increase your flexibility and space in cooling

Having extra room can really open you up a world of possibilities. With the latest 289 litre XL and 381 litre XXL fridge freezer combinations, you'll have ample space to accommodate your biggest culinary dreams. Imagine being able to effortlessly store entire trays of

baked goods or sizable watermelons without having to rearrange everything else in the fridge. That large additional space is like a secret ingredient that can take your cooking to the next level and invite even more deliciousness into your life.



Home Connect

Simply use your phone or tablet to control your XXL fridge, even when you're on the go. Use your Home Connect app to get smart benefits from your fridge. Control your fridge on the go and easily set it to ECO or Holiday Mode, even after you've left home. Simply smart.

Individual Temperature Control

Tastes vary - and so do the ingredients. Individual Temperature Control enables you to set a higher temperature when no fresh greens, reds or yellows are sitting on their chilled shelves. Simply choose an eco-friendly mode with a higher temperature for your fridge via the electronic control panel, while the Individual Temperature Control keeps the freezer up and running.

Door Alarm

Say goodbye to the frustration of accidentally leaving the fridge door open. Equipped with both visual and acoustic alarms, the fridge signals that it needs another gentle shove for sustainable cooling. Even if the door is slightly ajar, the fridge will request a gentle nudge to maintain optimal temperatures. And for added convenience, if your fridge is integrated with the Home Connect app, you'll receive notifications directly to your smartphone.

Freezer Light

Just find what you are looking for: Our Freezer LED light illuminates every frozen ingredient in your drawers. And if your appliance is Home Connect enabled, you may additionally adapt the light intensity to your liking. Also, you may activate the emotional light which adds a lovely light effect to your kitchen even when the doors of your fridge and freezer are closed.

Fresh Safe 1 <0°C>

Enjoy a variety of storage options to suit your preferences, including a flexible drawer for fruits and veggies. In addition, the unit features a dedicated compartment for meat and fish that's kept at an optimal temperature up to 0°C.



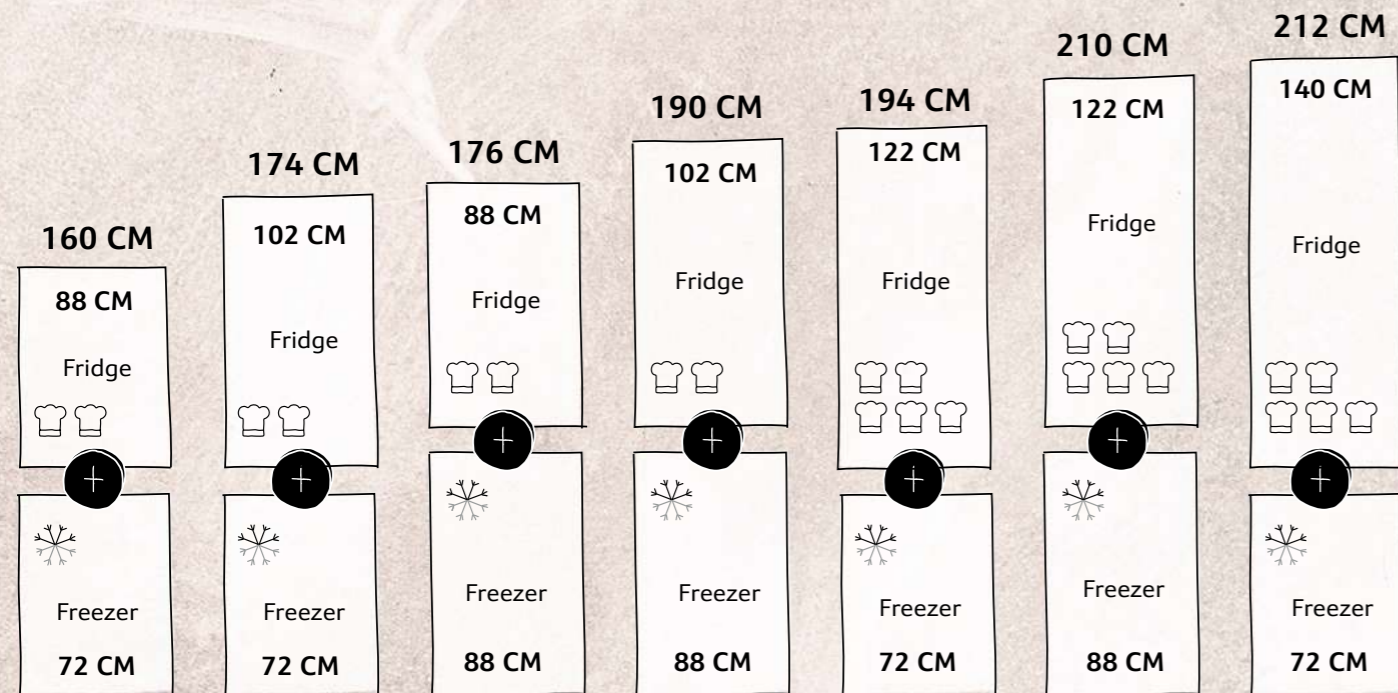
Your Guide To Sizes

Combination and layout solutions for installing your cooling appliances

With so many kitchen styles to choose from, at NEFF we've catered for all spaces and lifestyles. With the option to build a cooling solution to your requirements, our installation options are designed to offer the ultimate flexibility. From side-by-side fridge and freezer installations to over-under stacked installations, it's easy to incorporate NEFF appliances into your overall kitchen design.

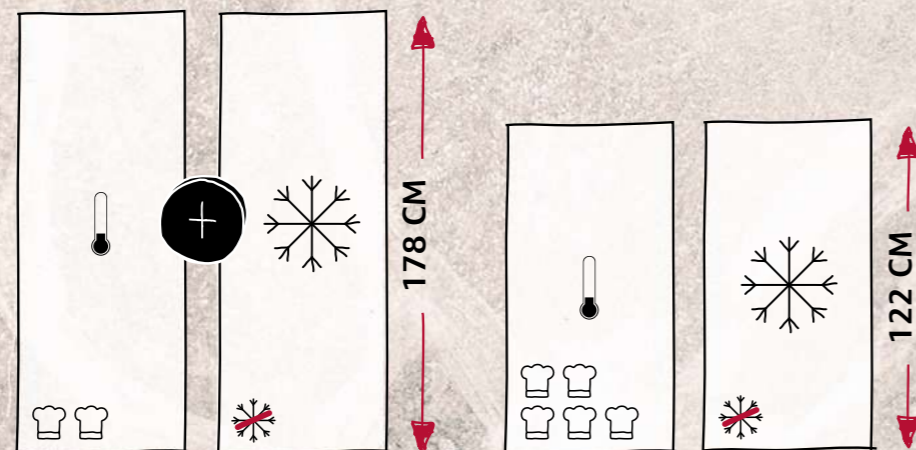
Over-Under Installation:

Our over-under installation options are perfectly tailored to suit every cookaholic's lifestyle. Conveniently 'stack' your fridge and freezer and ensure your cooling space reflects how you like to cook. For those who tend to shop little and often, a smaller capacity fridge & freezer doesn't need to impact on your space. Equally, if family life makes ample freezer space essential, an equal height '50/50' fridge freezer combination provides the perfect solution.



Side-by-Side installation:

Our single door fridges and freezers are designed to sit parallel to one another in order to create a double door effect. By placing a left-hinged fridge and a right-hinged freezer (or vice versa) side by side you can easily browse fresh and frozen ingredients before getting creative in the kitchen. Smooth door opening is facilitated by a simple fixed or sliding hinge. Equally if you want to place a fridge in the kitchen and a freezer in the utility room, our appliances can be installed in a way which suits you.



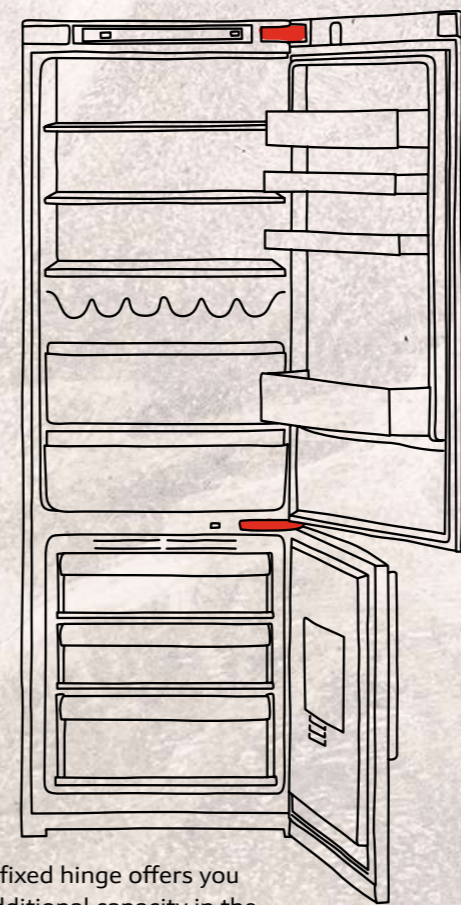
Hinge Types

Hinges to suit all kitchen designs

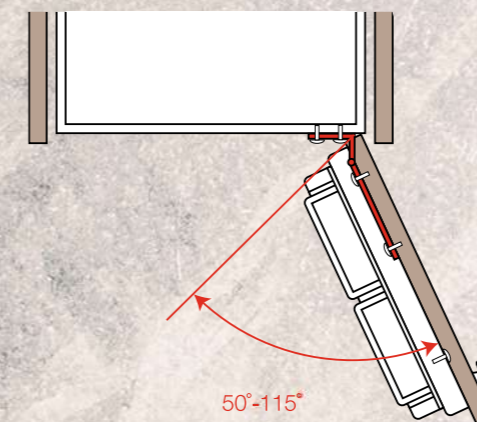
Our doors can be right-hinged or left-hinged in order to suit your kitchen design.

Fixed Hinge & Soft Close Hinge

The benefit of this type of hinge is that it carries more weight – ideal for kitchen cabinetry made from heavier hard wood. This hinge also allows the door to open at a wider angle, making the fridge cavity easily accessible. All NEFF doors close automatically when at an angle of approximately 15-20° and selected models have the benefit of Soft Close.

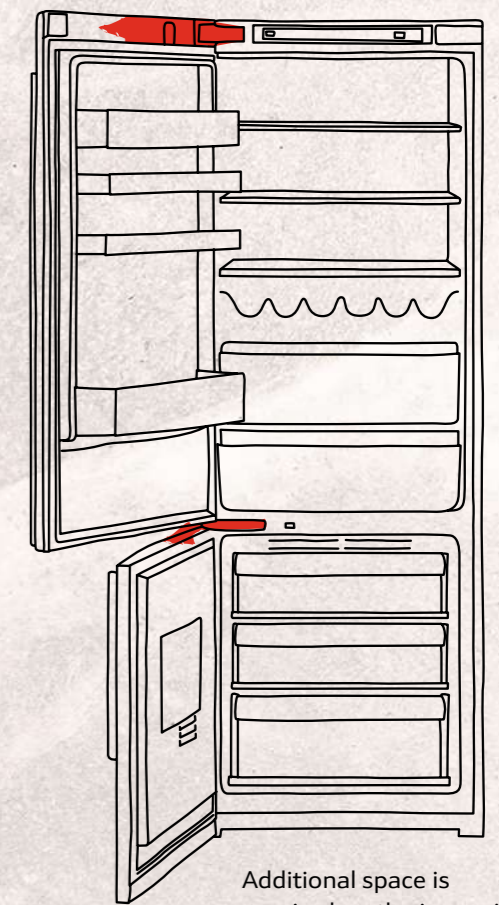


A fixed hinge offers you additional capacity in the refrigerator, leaving you more room for your food.

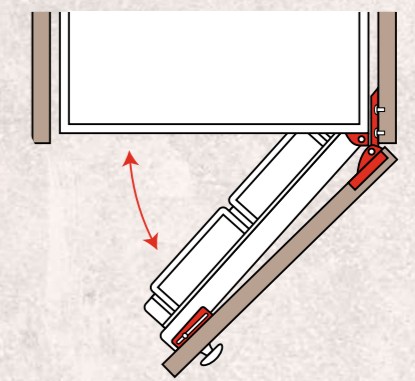


Sliding Hinge

Our sliding hinge feature sits between the appliance and the furniture door and is secured by a series of brackets. As you open the furniture door, the appliance door is also opened via the sliding bracket design.



Additional space is required on the inner side of the cabinet to make way for the door hinge.



Key Functions Guide

SERIES FUNCTIONS				
Product Function	N 90	N 70	N 50	N 30
Home Connect	•	-	•	•
Fresh Safe	Fresh Safe 3	Fresh Safe 2	Fresh Safe	Fresh Safe
No Frost/Low Frost	•/-	•/•	•/•	•/
Vario Shelf	•	•	-	-
Wire Flex Shelf	•	-	-	-
Easy Access Shelf	•	•	-	-
Easy Lift Shelf	•	-	-	-
Flexi Rail Drawers	•	-	-	-
LED Display	•	•	•	-
Electronic Control	-	-	•	-
Energy Rating	E or F	E or F	E or F	F
Super Cool	•	•	•	-
Fresh Sense	•	•	-	-
Soft Close/Fixed/Sliding	•/•/-	-/•/-	•/•/-	-/-/•
LED Light/Daylight/Interior Light	•/-/-	•/-/-	•/•/-	-/-/•
Super Freeze	•	•	•	-
Big Box	•	•	•	-
Wine Cabinets	-	•	-	-
Vegetable Drawer	-	-	-	•
Manual Defrost	-	-	-	•

Cooling Functions

MULTIPLE COOLING SYSTEMS

Separate cooling circuits for independent temperature control, to prevent the transference of odours and/or humidity between the fridge and freezer cavities.



MULTI AIR FLOW COOLING

Greatly improves the circulation of air around the fridge, regulating the temperature and humidity levels and eradicating condensation build up, so that your food stays fresher for longer.



LOW FROST

Low Frost improves performance and reduces frost build up in an energy efficient way. It also provides more storage space due to there being no internal evaporator and you may only need to defrost your freezer every 2-3 years.



ECO AIR FLOW

Our Eco Air Flow system treats your ingredients as lovingly as you picked them. Eco Air Flow circulates the air evenly in your fridge to keep flavours delicious under ideal cooling conditions.



NO FROST

No Frost freezers automatically react to any signs of frost so it never has a chance to build up. With a No Frost freezer air is blown from the back wall and circulates over food items. As a result, there is no condensation or build up of frost and food does not freeze together.



SUPER FREEZE

Lowers the temperature for rapid freezing when adding fresh food.

INTELLIGENT COOLING

Uses a range of innovative sensors to calculate the quantity of food in the fridge with the outside temperature. The fridge then adjusts the internal cooling power accordingly.

DOOR OPEN

Door Open and high temperature alarm systems alert you if the door has been left open or a power cut has occurred. Ideal for mitigating food wastage.

SUPER COOL

Allows for the increase in temperature that occurs when fresh food is added. As soon as the food is cold, the fridge will readjust to the normal temperature.

FRESH SAFE

Our Innovative 0°C Fresh safe preservation system extends the life of food times to reduce waste.

Design Features



Unique to NEFF, making your life even easier

EASY CLEAN MAGNETIC DOOR SEALS

The magnetic door seals on all of our refrigeration ranges are removable, making them easy to clean and/or replace if necessary.

SOFT CLOSE

With Soft Close, the fridge door closes automatically when open at an angle of 20° or less. With a soft closing mechanism, it's the ideal addition to kitchens with soft close cabinets.

ANTI-SPILL TRIMS

Effectively hold up to a pint of liquid in case of accidental spillage. Food is protected below and the clean-up process is a little less messy.



WIRE SHELF

Completely unique to NEFF, our new Wire Shelf feature is ideal for securely storing jars and bottles stacked on their side.



EASY LIFT SHELF

With Easy Lift shelving, it's possible to adjust shelves with just one hand – even when they're fully loaded. Perfect when unloading shopping or introducing freshly prepared dishes to the fridge.



EASY LIFT DOOR STORAGE

Easily adjust door storage with just one hand. Combined with Easy Lift Shelves, your fridge space won't restrict your favourite foods and drink.



EASY ACCESS SHELF

The retractable glass shelf allows for easy loading and unloading as well as better access to your food. Ideal for putting the finishing touches to those delicate desserts.



BOTTLE RACK

Always have a chilled bottle on standby for those impromptu get-togethers.



VARIO SHELF

Designed to offer complete flexibility in your fridge, sectioned glass shelves can simply be separated and slid underneath when not in use. Ideal for larger dishes, with space left over for a convenient condiments storage area at the back.

Built Under Wine Cabinets



KU9213HG0G

American-Style Fridge Freezer



KA3923IE0G

BUILT UNDER WINE CABINETS				
Series	No of Shelves	Size	Energy	Model Number
N70	4	82x30	F	KU9202HF0G
N70	5	82x60	G	KU9213HG0G

USA STYLE SBS FRIDGE FREEZERS				
Series	No of Shelves	Size	Energy	Model Number
N70	5	179x91	E	KA3923IE0G

193.5cm XXL Fridge Freezer



KB7966DD0G (XXL)

193.5cm XL Fridge Freezers



KI7962FD0 (XL)

XXL FRIDGE FREEZER				
Series	No of Shelves	Size	Energy	Model Number
N70	5	193.5x69	E	KB7966DD0G

XL FRIDGE FREEZERS				
Series	No of Shelves	Size	Energy	Model Number
N70	4	193.5x54	F	KI7962FD0
N30	5	193.5x54	G	KI7961SE0

177cm Fridge Freezers



KI8865DE0

FRIDGE FREEZER - FREEZER CAVITY - NOFROST								
Series	No of Shelves	Home Connect	Size	Split	Energy	Hinge	Model Number	Status
N90	3	✓	177.2x55.8	60/40	E	Soft Close	KI8865DE0	
N70	5	-	177.2x55.8	60/40	F	Soft Close	KI7863DD0G	New model
N50	3	-	177.2x54.1	60/40	E	Fixed	KI7862FE0G	
N50	3	-	177.2x54.1	60/40	E	Sliding	KI7862SE0G	
N30	4	-	177.2x54.1	60/40	F	Fixed	KI7861FE0G	New model
N30	4	-	177.2x54.1	60/40	F	Sliding	KI7861SE0G	New model
N30	3	-	177.2x54.1	50/50	F	Fixed	KI7851FF0G	Discontinuing February 2024. New model KI7851FE0G
N30	3	-	177.2x54.1	50/50	F	Sliding	KI7851SF0G	Discontinuing February 2024. New model KI7851SE0G

FRIDGE FREEZER - FREEZER CAVITY - LOWFROST								
Series	No of Shelves	Home Connect	Size	Split	Energy	Hinge	Model Number	Status
N70	5	-	177.2x55.8	70/30	E	Fixed	KI6873FE0G	
N70	4	-	177.2x55.8	60/40	E	Fixed	KI6863FE0G	
N50	5	-	177.2x54.1	70/30	E	Fixed	KI5872FE0G	
N50	5	-	177.2x54.1	70/30	E	Sliding	KI5872SE0G	
N50	4	-	177.2x54.1	60/40	E	Sliding	KI5862SE0G	
N30	5	-	177.2x54.1	70/30	F	Sliding	KI5871SE0G	New model

177cm Single Door Fridges



KI2823FF0G

BUILT IN SINGLE DOOR FRIDGES								
Series	No of Shelves	Freezer Drawers	Home Connect	Size	Energy	Hinge	Model Number	Status
N90	7		✓	177.5x56	E	Soft Close hinge	KI8815OD0	New model
N90	7			177.5x56	E	Soft Close hinge	KI8816DE1	New model
N70	5	4* ice box	-	177.5x56	F	Fixed	KI2823FF0G	Discontinuing February 2024. New model KI2822FE0G
N70	7	-	-	177.5x56	E	Fixed-right reversible	KI1813FE0G	
N50	5	4* ice box	-	177.5x56	F	Sliding	KI2822SF0G	Discontinuing February 2024. New model KI2821SE0G
N50	7	-	-	177.5x56	F	Sliding	KI1812SF0G	Discontinuing February 2024. New model KI1811SE0G
N50	6	-	-	177.5x54	E	Fixed	KI1812FE0G	New model

177cm Single Door Freezers



GI7815CE0G

BUILT IN SINGLE DOOR FREEZERS								
Series	No of Shelves	Freezer Drawers	Home Connect	Size	Energy	Hinge	Model Number	Status
N90	-	4* Rating	✓	177x55.8	E	Soft Close	GI7815NE0	New model
N90	-	4* Rating	✓	177x55.8	E	Soft Close	GI7815CE0G	
N70	-	4* Rating	-	177x55.8	F	Flat Hinge	GI7813EF0G	Discontinuing December 2023. New model GI7812EE0G

140cm Single Door Fridge



KI1513FF0

BUILT IN SINGLE DOOR FRIDGE								
Series	No of Shelves	Freezer Drawers	Home Connect	Size	Energy	Hinge	Model Number	Status
N70	6	-	-	140x56	F	Fixed	KI1513FF0	Discontinuing October 2023. (while stocks last)

122cm Single Door Fridges



KI1413FD0

BUILT IN SINGLE DOOR FRIDGE						
Series	No of Shelves	Size	Energy	Hinge	Model Number	Status
N70	6	122.5x56	D	Fixed	KI1413FD0	Discontinuing October 2023.
N50	4	122.5x54	E	Fixed	KI2422FE0	
N50	5	122.5x54	E	Fixed	KI1412FE0G	
N30	5	122.5x56	E	Sliding	KI1411SE0	

122cm Single Door Freezer



GI7416CE0

BUILT IN SINGLE DOOR FREEZER						
Series	Freezer Drawers	Size	Energy	Hinge	Model Number	Status
N70	5 including 1 BigBox	122.1x55.8	E	Soft Close	GI7416CE0	

102cm Single Door Fridge



KI1311SE0

BUILT IN SINGLE DOOR FREEZER						
Series	Freezer Drawers	Size	Energy	Hinge	Model Number	Status
N30	5	102x54	E	Sliding Hinge	KI1311SE0	

87cm Single Door Fridges



GI1216DE0

BUILT IN SINGLE DOOR FREEZERS						
Series	Freezer Drawers	Size	Energy	Hinge	Model Number	Status
N50	4	87x54	E	Fixed	KI1212FE0G	
N30	4	87x54	E	Sliding	KI1211SE0G	

87cm Single Door Freezers



GI1216DE0

BUILT IN SINGLE DOOR FREEZERS						
Series	Freezer Drawers	Size	Energy	Hinge	Model Number	Status
N50	3	87.4x55.8	E	Soft Close	GI1216DE0	
N50	3	87.4x54.1	E	Sliding	GI1212SE0G	

72cm Single Door Freezer



GI1113FE0

BUILT IN SINGLE DOOR FREEZERS						
Series	Freezer Drawers	Size	Energy	Hinge	Model Number	Status
N50	3	71.2x55.8	E	Fixed	GI1113FE0	

82cm Built Under Fridges



K4316XFF0G

BUILT UNDER SINGLE DOOR FRIDGES							
Series	No of Shelves	Freezer Drawers	Size	Energy	Hinge	Model Number	Status
N50	2	4* ice box	82x60	F	Fixed	K4336XFF0G	Discontinuing December 2023. New model KU2222FD0G
N50	3	-	82x60	F	Fixed	K4316XFF0G	Discontinuing December 2023. New model KU1212FE0G

KU1213Z0 Stainless Steel decorative door for undercounter fridges or freezers

82cm Built Under Freezer



G4344XFF0G

BUILT UNDER SINGLE DOOR FREEZER						
Series	Freezer Drawers	Size	Energy	Hinge	Model Number	Status
N50	3	82x59.8	F	Fixed	G4344XFF0G	Discontinuing October 2023. New model GU7212FE0G

Built Under Wine Cabinets



KU9202HF0G

KU9213HG0G

COLLECTION	N 70	N 70
MODEL NO.	KU9202HF0G	KU9213HG0G
DESIGN FEATURES		
Colour of door panels	Black	Black
Colour of side panels	Black	Black
Type of glass door	3 glass panels, UV-filtered	3 glass panels, UV-filtered
Door handle type	Vertical bar handle	Vertical bar handle
Temperature display	Interior / Digital LED	Interior / Digital LED
Reversible door, hinged on right	•	•
Home connect / Built in cameras	•	•
KEY FEATURES – WINE CABINET SECTION		
Range of temperature (°C)	5 - 20	5 - 20
Temperature zones	1	2
LED light	LED	LED
Number of shelves	4	5
Number of bamboo shelves	3	3
Number of adjustable shelves	•	•
LED lighting with soft start & presenter lighting	•	•
Capacity in 0.75l (Bordeaux bottles)	21	44
FUNCTIONS		
Door open warning signal/malfunction	•	•
Child lock	•	•
PERFORMANCE & CONSUMPTION		
Energy efficiency class	A F	A G
Energy consumption ¹ kWh/annum	100	130
Refrigerator net capacity L	56 l	108 l
Climate Class ²	SN-ST	SN-ST
Noise level dB (A) re 1 pW	38 dB	38 dB
Noise level class	C	C
Height of product mm	818	818
Width of product mm	298	598
Depth of product mm	567	581

Please ensure adequate ventilation is provided in plinth to allow air flow.

1. Actual energy consumption will depend on how the appliance is used and where it is located.
2. Climate zone ST = designed to operate in ambient temperature of +16°C to 38°C.
2. Climate zone SN = designed to operate in ambient temperature of +10°C to 32°C.

American-Style Fridge Freezer



KA3923IE0G

COLLECTION	N 70
MODEL NO.	KA3923IE0G
DESIGN FEATURES	
Colour of door panels	Stainless steel anti fingerprint
Colour of sides	Grey
Style of handle	vertical bar handle
Colour of handle	Stainless steel
NoFrost in fridge and freezer	•
Home Connect, Wi-Fi dongle included	-
FOOD FRESHNESS SYSTEM	
FreshSafe	2 x FreshSafe drawers on rails
KEY FEATURES – FRIDGE SECTION	
Product highlights	LED
Super Cool	•
Type of control	Electronic
Number of shelves	5
Number of adjustable shelves	-
Bottle shelves in fridge	•
Number of door bins / shelves	5
Temperature display	Digital
Warning signal door open	•
KEY FEATURES – FREEZER SECTION	
Door opened indicator	•
Super Freeze function	•
Temperature adjustable in freezer	•
Number of ice cube trays	Automatic ice cube maker
Ice dispenser features	Crushed ice, ice cubes, water, water filter
Number of freezer drawers	2
ADDITIONAL INFORMATION	
Energy efficiency class	A E
Energy consumption ¹ kWh/annum	323
Total net capacity L	562
Refrigerator net capacity L	371
Freezer net capacity L	191
Climate Class ²	SN-T
Noise level dB (A) re 1 pW	42 dB
Noise level class	D
Additional accessories included	1 x connection hose, 1 x egg tray
Height of product mm	1787
Width of product mm	908
Depth of product mm	707

1. Actual energy consumption will depend on how the appliance is used and where it is located.
2. Climate zone SN = designed to operate in ambient temperatures of +10°C to 32°C.
2. Climate zone T = designed to operate in ambient temperatures of +18°C to 43°C.



THE NEFF OVEN COLLECTIONS

HOBS

VENTILATION

REFRIGERATION

DISHWASHING

LAUNDRY

Built-In Fridge Freezers

Built-in Bottom Freezers
- No Frost



KI8865DE0

Home Connect



KI7863DD0G

Built-In Fridge Freezers



KI7862FE0G



KI7862SE0G



KI7861FE0G



KI7861SE0G

Launching September 2023

COLLECTION	N 90	N 70
MODEL NO.	KI8865DE0	KI7863DD0G
DESIGN FEATURES		
Fridge / Freezer split	60/40	60/40
No Frost	•	•
Low Frost		
Soft Close hinge	•	•
Type of hinge (reversible)	Right (reversible)	Right (reversible)
Home Connect	•	
FOOD FRESHNESS SYSTEM		
FreshSafe	2 x FreshSafe 3 Plus 0° drawers	1 x FreshSafe 2 drawers
KEY FEATURES – FRIDGE SECTION		
Light	LED	LED
Super Cool function	•	•
Type of control	Electronic	Electronic
Number of shelves	3	3
Number of adjustable shelves	2	1
Number of door bins / shelves	2	3
Type of shelves	Safety glass	Safety glass
Temperature display	Digital 7 segment	Digital 7 segment
Warning signal door open	•	•
Bottle shelves in fridge	•	•
XXL MultiBox veg drawer		
KEY FEATURES – FREEZER SECTION		
Door opened indicator	•	•
Super Freeze function	•	•
Temperature adjustable in freezer	•	•
Number of ice cube trays	1	1
Number of freezer drawers	3	3
ADDITIONAL INFORMATION		
Energy efficiency class		
Energy consumption ¹ kWh/annum	252	277
Total net capacity L	223	260
Refrigerator net capacity 4°C - 8°C L	156	184
Refrigerator net capacity 0°C L	55	
Freezer net capacity L	67	76
Climate class ²	SN-ST	SN-ST
Noise level (dB(A) re 1 pW)	36 dB	35 dB
Noise level class	C	B
Additional accessories included	2 x egg trays, 1 x ice cube tray, 1 x bottle holder in door tray	Only accessories: 3x egg tray, 1x ice cube tray, 1 x bottle holder in door tray
Height of product mm	1772	1772
Width of product mm	558	558
Depth of product mm	545	548

Launching September 2023

N 50	N 50	N 30	N 30
KI7862FE0G	KI7862SE0G	KI7861FE0G	KI7861SE0G
60/40	60/40	60/40	60/40
•	•	•	•
Right (reversible)	Right (reversible)	Flat hinge	Right (reversible)
1 x FreshSafe drawer	1 x FreshSafe drawer	1 x FreshSafe drawer	1 x FreshSafe drawer
LED	LED	LED	LED
Electronic	Electronic	Electronic	Electronic
4	4	4	4
3	3	2	3
3	3	3	3
Safety glass	Safety glass	Safety glass	Safety glass
•	•	•	•
•	•	•	•
•	•	•	•
1	1	1	1
3	3	3	3
234	234	239	293
260	260	260	260
184	184	184	184
76	76	N/A	76
76	76	76	76
SN-ST	SN-ST	Subtropical;Temperate;Extended temperate;	SN-ST
35 dB	35 dB	39	39 dB
B	B	C	C
3 x egg trays, 1 x ice cube tray	3 x egg trays, 1 x ice cube tray	3 x egg tray, 1 x ice cube tray	3 x egg trays, 1 x ice cube tray
1772	1772	1772	1772
541	541	541	541
548	548	548	548

1. Actual energy consumption will depend on how the appliance is used and where it is located.
2. Climate zone SN = designed to operate in ambient temperature of +10°C to 32°C.
2. Climate zone T = designed to operate in ambient temperature of +18°C to 43°C.

Built-In Fridge Freezers

Built-In Fridge Freezers
- No Frost



KB7966DD0G (XXL)

Sliding Hinge model launching April 2024



KI7962FD0 (XL)



KI7961SE0 (XL)



KI7851FF0G

Discontinuing February 2024
New Model **KI7851FE0G**



KI7851SF0G

Discontinuing March 2024
New Model **KI7851SE0G**

COLLECTION	N 30	N 30	N 30
MODEL NO.	KB7966DD0G	KI7962FD0	KI7961SE0
DESIGN FEATURES			
Fridge / Freezer split	60/40	60/40	60/40
No Frost	●	●	●
Low Frost			
Soft Close hinge			
Type of hinge (reversible)	Flat hinge	Flat hinge	Flat hinge
Home Connect			
FOOD FRESHNESS SYSTEM			
FreshSafe	1 x FreshSafe drawers	1 x FreshSafe drawers	
KEY FEATURES – FRIDGE SECTION			
Light	LED	LED	LED
Super Cool function	●		●
Type of control	Electronic	Electronic	Electronic
Number of shelves	4	3	4
Number of adjustable shelves	4	3	4
Number of door bins / shelves	1	4	1
Type of shelves	Safety glass	Safety glass	Safety glass
Temperature display			
Warning signal door open	●	●	●
Bottle shelves in fridge		1	
XXL MultiBox veg drawer			
KEY FEATURES – FREEZER SECTION			
Door opened indicator	Visual/ acoustic	Visual/ acoustic	Visual/ acoustic
Super Freeze function	●	●	●
Temperature adjustable in freezer			
Number of ice cube trays	1	1	1
Number of freezer drawers	3	3	3
ADDITIONAL INFORMATION			
Energy efficiency class	A D	A D	A E
Energy consumption ¹ kWh/annum	204	184	231
Total net capacity L	382	289	289
Refrigerator net capacity 4°C - 8°C L	N/A	N/A	N/A
Refrigerator net capacity 0°C L	284	214	214
Freezer net capacity L	98	75	75
Climate class ²	Tropical;Subtropical;Temperate; Extended temperate;	Subtropical;Temperate;Extended temperate;	Subtropical;Temperate;Extended temperate;
Noise level (dB(A) re 1 pW)	33	35	39
Noise level class	B	D	C
Additional accessories included	3 x egg tray, 1 x ice cube tray	3 x egg tray, 1 x ice cube tray	3 x egg tray, 1 x ice cube tray
Height of product mm	1935	1935	1935
Width of product mm	708	558	541
Depth of product mm	548	550	550

COLLECTION	N 30	N 30
MODEL NO.	KI7851FF0G	KI7851SF0G
DESIGN FEATURES		
Fridge / Freezer split	50/50	50/50
No Frost	●	●
Low Frost		
Soft Close hinge		
Type of hinge (reversible)	Flat hinge	Sliding hinge
Home Connect		
FOOD FRESHNESS SYSTEM		
FreshSafe	1 x FreshSafe drawers	1 x FreshSafe drawers
KEY FEATURES – FRIDGE SECTION		
Light	LED	LED
Super Cool function		
Type of control	Electronic	Electronic
Number of shelves	3	3
Number of adjustable shelves	2	2
Number of door bins / shelves	2	2
Type of shelves	Safety glass	Safety glass
Temperature display		
Warning signal door open	●	●
Bottle shelves in fridge		
XXL MultiBox veg drawer		
KEY FEATURES – FREEZER SECTION		
Door opened indicator	●	●
Super Freeze function	●	●
Temperature adjustable in freezer		
Number of ice cube trays	1	1
Number of freezer drawers	4	4
ADDITIONAL INFORMATION		
Energy efficiency class	A F	A F
Energy consumption ¹ kWh/annum	298	298
Total net capacity L	249	249
Refrigerator net capacity 4°C - 8°C L	150	150
Refrigerator net capacity 0°C L		
Freezer net capacity L	99	99
Climate class ²	SN-ST	SN-ST
Noise level (dB(A) re 1 pW)	39 dB	39 dB
Noise level class	C	C
Additional accessories included	3 x egg trays, 1 x ice cube tray	3 x egg trays, 1 x ice cube tray
Height of product mm	1772	1772
Width of product mm	541	541
Depth of product mm	548	548

1. Actual energy consumption will depend on how the appliance is used and where it is located.
2. Climate zone SN = designed to operate in ambient temperature of +10°C to 32°C.
2. Climate zone T = designed to operate in ambient temperature of +18°C to 43°C.

Built-In Fridge Freezers

Built-In Fridge Freezers - Low Frost



Built-In Fridge Freezers



Launching September 2023

COLLECTION	N 70	N 70	N 50	N 50
MODEL NO.	KI6873FE0G	KI6863FE0G	KI5872FE0G	KI5872SE0G
DESIGN FEATURES				
Fridge / Freezer split	70/30	60/40	70/30	70/30
No Frost				
Low Frost	Low Frost	Low Frost	Low Frost	Low Frost
Soft Close hinge				
Type of hinge (reversible)	Fixed hinge	Fixed hinge	Fixed hinge	Sliding hinge
Home Connect				
FOOD FRESHNESS SYSTEM				
FreshSafe	1 x FreshSafe 2 drawers	1 x FreshSafe 2 drawers	1 x FreshSafe drawer	1 x FreshSafe drawer
KEY FEATURES – FRIDGE SECTION				
Light	LED	LED	LED	LED
Super Cool function	●	●		
Type of control	Electronic	Electronic	Electronic	Electronic
Number of shelves	5	4	5	5
Number of adjustable shelves	4	4	4	4
Number of door bins / shelves	5	5	4	4
Type of shelves	Safety glass	Safety glass	Safety glass	Safety glass
Temperature display	Digital 7 segment	Digital 7 segment	digital LED	digital LED
Warning signal door open	●	●		
Bottle shelves in fridge	●	●		
KEY FEATURES – FREEZER SECTION				
Door opened indicator	●	●		●
Super Freeze function	●	●	●	
Temperature adjustable in freezer	●	●		
Number of ice cube trays	1	1	1	1
Number of freezer drawers	2	3	2	2
ADDITIONAL INFORMATION				
Energy efficiency class	A E	A E	A E	A E
Energy consumption ¹ kWh/annum	207	219	216	216
Total net capacity L	272	266	270	270
Refrigerator net capacity 4°C - 8°C L	209	192	200	200
Refrigerator net capacity 0°C L				
Freezer net capacity L				
Climate class ²	63 SN-T	74 SN-ST	70 SN-ST	70 SN-ST
Noise level (dB(A) re 1 pW)	36 dB	36 dB	35 dB	35 dB
Noise level class	C	C	B	B
Additional accessories included	2 x egg trays, 1 x ice cube tray, 1 x bottle holder indoor tray	2 x egg trays, 1 x ice cube tray, 1 x bottle holder in door tray	3 x egg trays, 1 x ice cube tray	3 x egg trays, 1 x ice cube tray
Height of product mm	1772	1772	1772	1772
Width of product mm	558	558	541	541
Depth of product mm	545	545	548	548

N 50	N 30
KI5862SE0G	KI5871SE0G
60/40	70/30
Low Frost	Low Frost
Right (reversible)	Sliding hinge
1 x FreshSafe drawer	1 x FreshSafe drawer
LED	LED
Electronic	Electronic
4	5
3	4
3	4
Safety glass digital LED	Safety glass digital LED
●	●
1	1
3	2
A E	A F
229	270
269	270
184	200
85	70
SN-ST	SN-ST
35 Db	39 dB
B	C
3 x egg trays, 1 x ice cube tray	3 x egg trays, 1 x ice cube tray
1772	1772
541	541
548	548

1. Actual energy consumption will depend on how the appliance is used and where it is located.
 2. Climate zone SN = designed to operate in ambient temperature of +10°C to 32°C.
 2. Climate zone T = designed to operate in ambient temperature of +18°C to 43°C.

THE NEFF OVEN COLLECTIONS
 HOBS
 VENTILATION
 REFRIGERATION
 DISHWASHING
 LAUNDRY

Built-In Single Door Fridges & Freezers



Discontinuing February 2024
New Model March 2024
KI2822FE0G

New March 2024

Discontinuing February 2024
New Model March 2024
KI2821SE0G

Discontinuing February 2024
New Model March 2024
KI1811SE0G

Discontinuing December 2023
New Model December 2023
GI7812EE0G



COLLECTION	N 90	N 90	N 70	N 70	N 70
MODEL NO.	KI8815OD0	KI8816DE1	KI2823FF0G	KI1813FE0G	KI1812FE0G
DESIGN FEATURES					
No Frost					
Low Frost or Manual defrost					
Soft Close hinge	●				
Type of hinge (reversible)	Right (reversible)	Fixed hinge	Fixed hinge	Fixed hinge	Flat Hinge
Home Connect	● With voice open control				
FOOD FRESHNESS SYSTEM					
FreshSafe	1 x FreshSafe 2 drawers on telescopic rails, 1 x FreshSafe drawer on telescopic rails	1 x FreshSafe 2 drawers on telescopic rails, 1 x FreshSafe drawer on telescopic rails	1 x FreshSafe 2 drawers on telescopic rails, 1 x FreshSafe drawer on telescopic rails	1 x FreshSafe 2 drawers on telescopic rails, 1 x FreshSafe drawer on telescopic rails	
KEY FEATURES – FRIDGE SECTION					
Light	LED	LED	LED	LED	LED
Super Cool function	●	●	●	●	●
Type of control	Electronic	Electronic	Electronic	Electronic	Electronic
Number of shelves	7	7	5	6	6
Number of adjustable shelves	5	5	3	6	5
Number of door bins / shelves	5	5	4	6	5
Type of shelves	Safety glass	Safety glass	Safety glass	Safety glass	Safety glass
Temperature display	digital 7 segment	digital 7 segment	digital 7 segment	digital 7 segment	digital 7 segment
Warning signal door open	●	●	●	●	●
Defrost system in fridge	Automatic	Automatic	Automatic	Automatic	Automatic
Bottle shelves in fridge	●	●	●	●	●
KEY FEATURES – FREEZER SECTION					
Light in freezer					
Door opened indicator					
Super Freeze function					
Temperature adjustable in freezer					
Number of ice cube trays	1	1	1		
Number of freezing flaps	1	1	1		
Number of freezer drawers					
ADDITIONAL INFORMATION					
Energy efficiency class	A D	A E	A F	A E	A E
Energy consumption ¹ kWh/annum	120	222	222	115	114
Total net capacity including 0°C drawers L	289	286	286	319	310
Refrigerator net capacity 0°C L					310
Freezer net capacity L	34	34	34		0
Climate class ²	SN-ST	SN-ST	SN-ST	SN-T	Subtropical; Temperate; Extended temperate;
Noise level (dB(A) re 1 pW)	36 dB	36 dB	36 dB	37 dB	39
Noise level class	C	C	C	C	C
Additional accessories included	2 x egg trays, 1 x ice cube tray, 1 x heavy duty hinge support	2 x egg trays, 1 x ice cube tray	2 x egg trays, 1 x ice cube tray	2 x egg trays	3 x egg tray, 1 x Heavy-duty hinge support
Height of product mm	1772	1772	1772	1772	1772
Width of product mm	558	558	558	558	541
Depth of product mm	545	545	545	545	550

COLLECTION	N 50	N 50	N 90	N 90	N 70
MODEL NO.	KI2822SF0G	KI1812SF0G	GI7815NE0	GI7815CE0G	GI7813EF0G
DESIGN FEATURES					
No Frost					
Low Frost or Manual defrost					
Soft Close hinge					
Type of hinge (reversible)	Right (reversible)	Right (reversible)	Fixed hinge	Fixed hinge	Fixed hinge
Home Connect			● With voice open control	●	
FOOD FRESHNESS SYSTEM					
FreshSafe	2 x FreshSafe drawers	2 x FreshSafe drawers			
KEY FEATURES – FRIDGE SECTION					
Light	LED	LED			
Super Cool function	●	●			
Type of control	Electronic	Electronic			
Number of shelves	5	6			
Number of adjustable shelves	4	6			
Number of door bins / shelves	5	6			
Type of shelves	Safety glass	Safety glass			
Temperature display	digital LED	digital LED			
Warning signal door open	●	●			
Defrost system in fridge	Automatic	Automatic			
Bottle shelves in fridge	●	●			
KEY FEATURES – FREEZER SECTION					
Light in freezer			●	●	●
Door opened indicator			●	●	●
Super Freeze function			●	●	●
Temperature adjustable in freezer					
Number of ice cube trays	1		1	1	1
Number of freezing flaps	1		2	2	2
Number of freezer drawers			5	5	5
ADDITIONAL INFORMATION					
Energy efficiency class	A F	A F	A E	A E	A F
Energy consumption ¹ kWh/annum	222	144	235	235	294
Total net capacity including 0°C drawers L	286	319	212	212	212
Refrigerator net capacity 0°C L					
Freezer net capacity L	34		212	212	212
Climate class ²	SN-ST	SN-T	SN-T	SN-T	SN-T
Noise level (dB(A) re 1 pW)	39 dB	37 dB	35 dB	35 dB	36 dB
Noise level class	C	C	B	B	C
Additional accessories included	2 x egg trays, 1 x ice cube tray	2 x egg trays	1 x ice cube tray, 1 x heavy duty hinge support	1 x ice cube tray	1 x ice cube tray
Height of product mm	1772	1772	1772	1772	1772
Width of product mm	541	541	558	558	558
Depth of product mm	545	545	545	545	545

1. Actual energy consumption will depend on how the appliance is used and where it is located.
2. Climate zone SN = designed to operate in ambient temperature of +10°C to 32°C.
2. Climate zone T = designed to operate in ambient temperature of +18°C to 43°C.

Built-in Single Door Fridges & Freezers



KI1513FF0



KI2422FE0



KI1412FE0G



KI1411SE0



GI7416CE0

Discontinuing October 2023

COLLECTION	N 70	N 50
MODEL NO.	KI1513FF0	KI2422FE0
DESIGN FEATURES		
No Frost		
Low Frost or Manual defrost		
Soft Close hinge		
Type of hinge (reversible)	Fixed hinge	Right (reversible)
Home Connect		
FOOD FRESHNESS SYSTEM		
FreshSafe	1 x FreshSafe 2 drawer	1 x FreshSafe 2 drawer
KEY FEATURES – FRIDGE SECTION		
Light	LED	LED
Super Cool function	●	●
Type of control	Electronic	Electronic
Number of shelves	6	4
Number of adjustable shelves	5	3
Number of door bins / shelves	5	4
Type of shelves	Safety glass	Safety glass
Temperature display	digital 7 segment	digital 7 segment
Warning signal door open	●	●
Defrost system in fridge	Automatic	Automatic
Bottle shelves in fridge	●	●
KEY FEATURES – FREEZER SECTION		
Light in freezer		
Door opened indicator		
Super Freeze function		
Temperature adjustable in freezer		
Number of ice cube trays		
Number of freezing flaps		
Number of freezer drawers		
ADDITIONAL INFORMATION		
Energy efficiency class		
Energy consumption ¹ kWh/annum	133	147
Total net capacity including 0°C drawers L	247 l	187
Refrigerator net capacity 0°C L		
Freezer net capacity L		
Climate class ²	SN-T	SN-T
Noise level (dB(A) re 1 pW)	33 dB	35 dB
Noise level class	B	B
Additional accessories included	2 x egg tray	2 x egg tray
Height of product mm	1397	1221
Width of product mm	558	541
Depth of product mm	545	548

	N 50	N 30	N 70
MODEL NO.	KI1412FE0G	KI1411SE0	GI7416CE0
DESIGN FEATURES			
Type of hinge (reversible)	Fixed hinge	Sliding hinge	Flat hinge
FOOD FRESHNESS SYSTEM			
FreshSafe	1 x FreshSafe 2 drawer	1 x vegetable drawer	
KEY FEATURES – FRIDGE SECTION			
Light	LED	1 x 25 Watt	
Super Cool function	●		
Type of control	Electronic	Mechanical	
Number of shelves	5	5	
Number of adjustable shelves	4	4	
Number of door bins / shelves	4	4	
Type of shelves	Safety glass	Safety glass	
Temperature display	digital 7 segment		
Warning signal door open	●		
Defrost system in fridge	Automatic	Automatic	
Bottle shelves in fridge	●		
KEY FEATURES – FREEZER SECTION			
Light in freezer			●
Door opened indicator			●
Super Freeze function			●
Temperature adjustable in freezer			
Number of ice cube trays			1
Number of freezing flaps			1
Number of freezer drawers			5
ADDITIONAL INFORMATION			
Energy efficiency class			
Energy consumption ¹ kWh/annum	101	101	206
Total net capacity including 0°C drawers L	204	204	130
Refrigerator net capacity 0°C L		83	
Freezer net capacity L			
Climate class ²	SN-T	SN-T	SN-T
Noise level (dB(A) re 1 pW)	35 dB	35 dB	36 dB
Noise level class	B	B	C
Additional accessories included	2 x egg tray	3 x egg trays	1 x ice cube tray
Height of product mm	1221	1221	1221
Width of product mm	541	541	558
Depth of product mm	548	548	545

1. Actual energy consumption will depend on how the appliance is used and where it is located.
 2. Climate zone SN = designed to operate in ambient temperature of +10°C to 32°C.
 2. Climate zone T = designed to operate in ambient temperature of +18°C to 43°C.

Built-in Single Door Fridges & Freezers



KI1311SE0



KI1212FE0G



KI1211SE0G



GI1216DE0



GI1212SE0G

COLLECTION	N 30	N 50
MODEL NO.	KI1311SE0	KI1212FE0G
No Frost		
Low Frost or Manual defrost		
Soft Close hinge		
Type of hinge (reversible)	Right (reversible)	Right (reversible)
FOOD FRESHNESS SYSTEM		
FreshSafe	•	•
KEY FEATURES – FRIDGE SECTION		
Light	LED	LED
Super Cool function	•	•
Type of control		
Number of shelves	4	3
Number of adjustable shelves	3	2
Type of shelves	Glass	Glass
Temperature display		
Warning signal door open		
Defrost system in fridge	Automatic	Automatic
Bottle shelves in fridge	1	1
ADDITIONAL INFORMATION		
Energy efficiency class	A G E	A G E
Energy consumption ¹ kWh/annum	96	92
Total net capacity including 0°C drawers L	165	136
Freezer net capacity L		
Climate class ²	SN-ST	SN-ST
Noise level (dB(A) re 1 pW)	35	35
Noise level class	B	B
Additional accessories included	3 x egg tray	3 x egg tray
Height of product mm	1021	874
Width of product mm	541	541
Depth of product mm	548	548

COLLECTION	N 30	N 70	N 50
MODEL NO.	KI1211SE0G	GI1216DE0	GI1212SE0G
No Frost		•	•
Low Frost or Manual defrost			
Soft Close hinge			
Type of hinge (reversible)	Right (reversible)	Fixed hinge	Sliding hinge
FOOD FRESHNESS SYSTEM			
FreshSafe	•		
KEY FEATURES – FRIDGE SECTION			
Light	LED		
Super Cool function	•		
Type of control			
Number of shelves	3		
Number of adjustable shelves	2		
Type of shelves	Glass		
Temperature display			
Warning signal door open			
Defrost system in fridge	Automatic		
Bottle shelves in fridge	1		
ADDITIONAL INFORMATION			
Energy efficiency class	A G E	A G E	A G E
Energy consumption ¹ kWh/annum	92	176	178
Total net capacity including 0°C drawers L	136	96	102
Freezer net capacity L		96	
Climate class ²	SN-ST	SN-T	SN-T
Noise level (dB(A) re 1 pW)	35	36 Db	38 Db
Noise level class	B	C	C
Additional accessories included	3 x egg tray	1 x ice cube tray	1 x ice cube tray
Height of product mm	874	874	874
Width of product mm	541	558	541
Depth of product mm	548	545	542

1. Actual energy consumption will depend on how the appliance is used and where it is located.
 2. Climate zone SN = designed to operate in ambient temperature of +10°C to 32°C.
 2. Climate zone T = designed to operate in ambient temperature of +18°C to 43°C.

Built-Under Single Door Fridges & Freezer



K4336XFF0G



K4316XFF0G



G4344XFF0G



GU7212FE0G



GI1113FE0

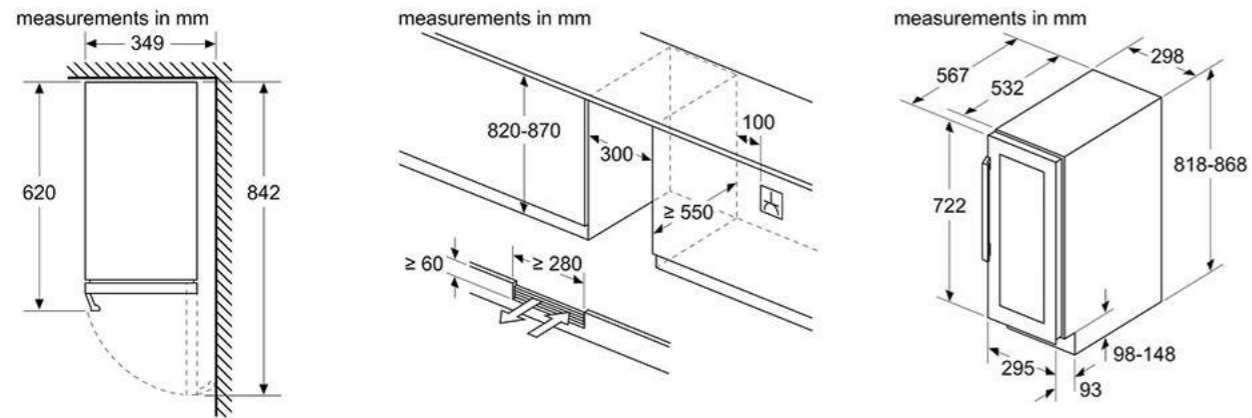
	Discontinuing December 2023 New Model December 2023 KU222FD0G	Discontinuing December 2023 New Model December 2023 KU1212FE0G
COLLECTION	N 50	N 50
MODEL NO.	K4336XFF0G	K4316XFF0G
No Frost		
Low Frost or Manual defrost		
Soft Close hinge		
Type of hinge (reversible)	Fixed hinge	Fixed hinge
Home Connect		
FOOD FRESHNESS SYSTEM		
FreshSafe	1 x Vegetable drawers	1 x Vegetable drawers
KEY FEATURES – FRIDGE SECTION		
Light	LED	LED
Super Cool	•	
Type of control	Electronic	Mechanical
Number of shelves	2	3
Number of adjustable shelves	1	2
Number of door bins / shelves	3	3
Type of shelves	Safety glass	Safety glass
Temperature display	digital 7 segment	
Warning signal door open		
Defrost system in fridge	Automatic	Automatic
Bottle shelves in fridge		
ADDITIONAL INFORMATION		
Energy efficiency class	A F	A F
Energy consumption ¹ kWh/annum	180	114
Total net capacity including 0° drawers L	123	137
Freezer net capacity L	15	
Climate Class ²	SN-ST	SN-ST
Noise level (dB [A] re 1 pW)	38 dB	38 dB
Noise level class	C	C
Additional accessories included	1 x egg tray, 1 x butter dish, 1 x ice cube tray	1 x egg tray
Height of product mm	820	820
Width of product mm	598	598
Depth of product mm	548	548

	Discontinuing October 2023	New October 2023	
COLLECTION	N 50	N 50	N 50
MODEL NO.	G4344XFF0G	GU7212FE0G	GI1113FE0
DESIGN FEATURES			
No Frost			
Low Frost or Manual defrost	Manual	Manual	Low Frost
Soft Close hinge			
Type of hinge (reversible)	Flat hinge	Fixed hinge	Fixed hinge
Key features – Freezer section			
Light in freezer	•		
Door opened indicator	•	•	•
Super Freeze function	•	•	•
Temperature adjustable in freezer	•	•	•
Number of ice cube trays	1	1	1
Number of freezing flaps			
Number of freezer drawers	3	3	3
ADDITIONAL INFORMATION			
Energy efficiency class	A F	A F	A E
Energy consumption ¹ kWh/annum	224	190	167
Total net capacity including 0°C drawers L	106	86	72
Refrigerator net capacity 0°C L	0		
Freezer net capacity L	106	SN-ST	SN-T
Climate class ²	Tropical; Subtropical; Temperate; Extended temperate;		
Noise level (dB(A) re 1 pW)	38	38 dB	36 dB
Additional accessories included	C	C	C
Height of product mm	1 x ice cube tray	1 x ice cube tray	1 x ice cube tray
Width of product mm	820	820	712
Depth of product mm	598	598	558
	550	548	545

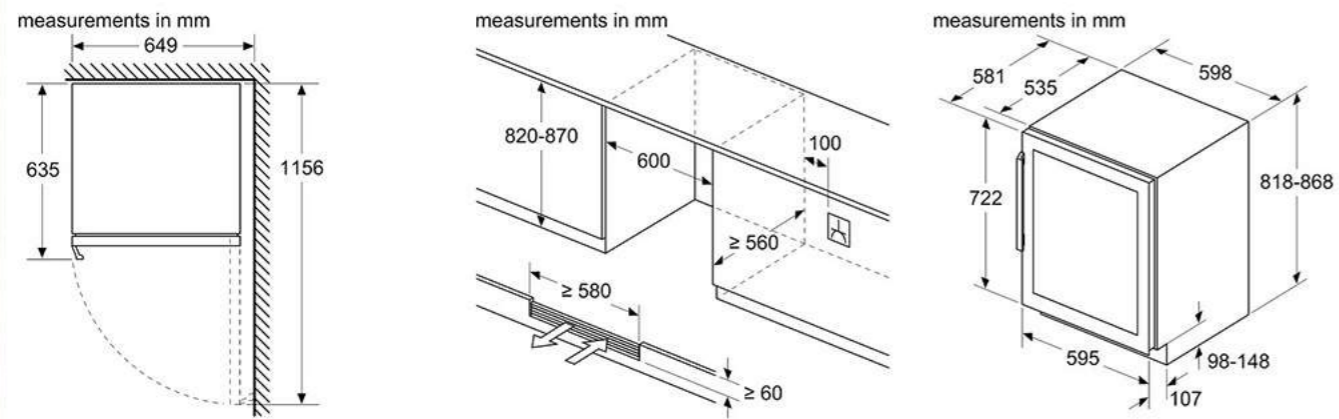
1. Actual energy consumption will depend on how the appliance is used and where it is located.
 2. Climate zone SN = designed to operate in ambient temperature of +10°C to 32°C.
 2. Climate zone T = designed to operate in ambient temperature of +18°C to 43°C.

Wine Coolers

KU9202HFOG

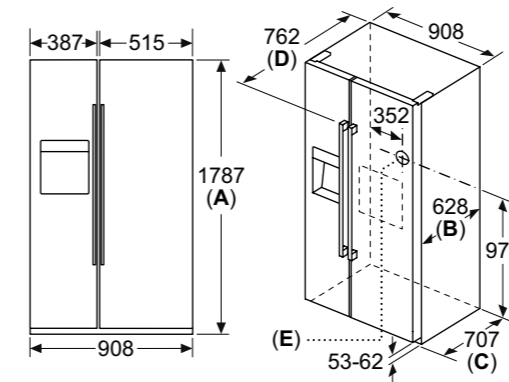


KU9213HG0G

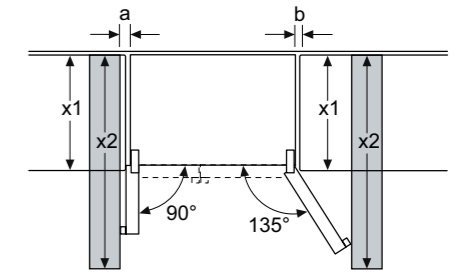


American-Style Fridge Freezer

KA3923IE0G



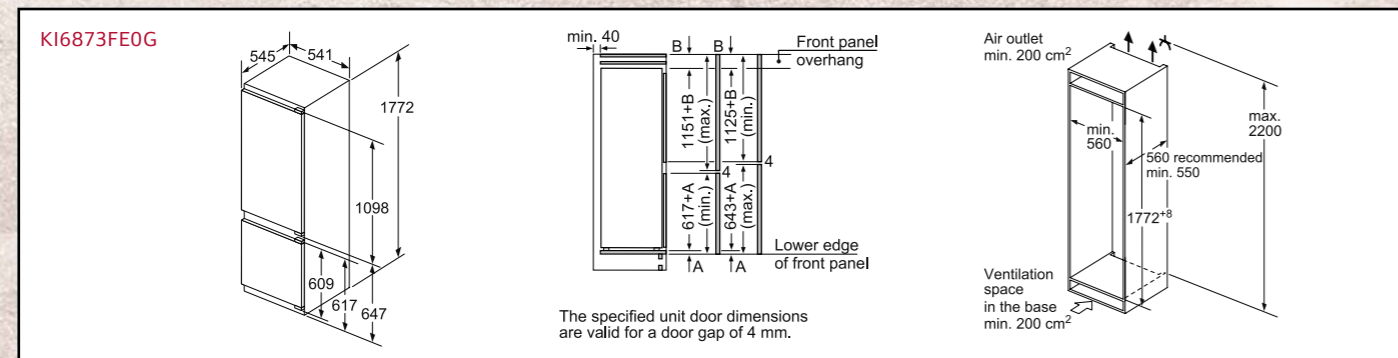
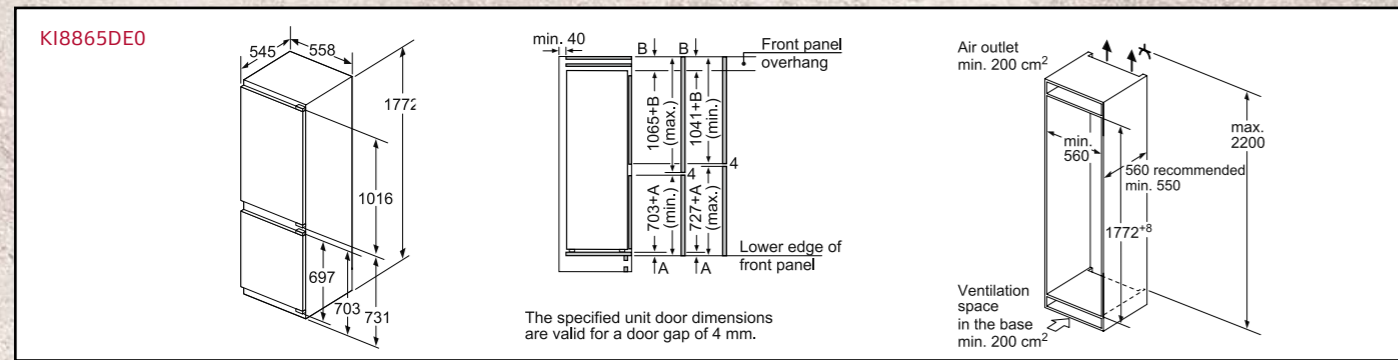
Specifications	
A	Front is adjustable from 1783 to 1792
B	Cabinet depth
C	Depth incl. door, without handle
D	Depth incl. door, with handle
E	Water connection to the appliance



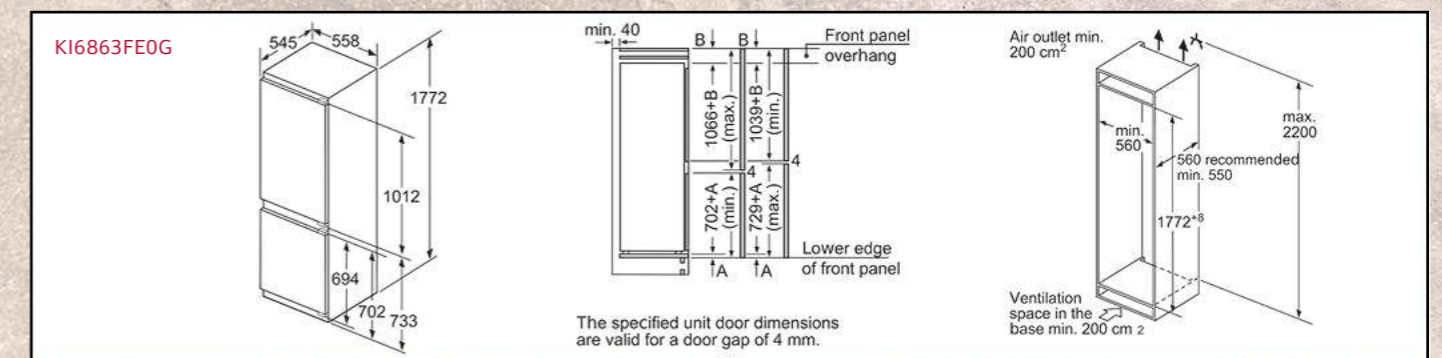
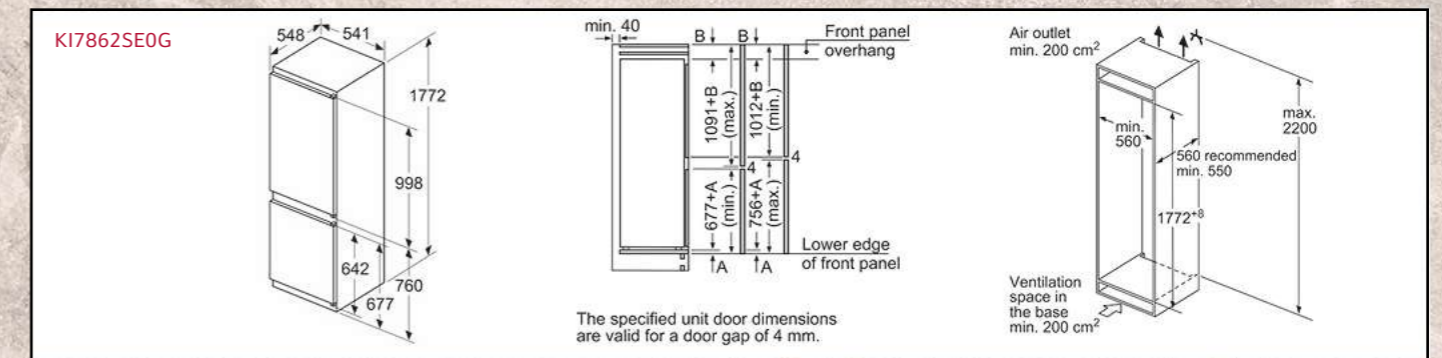
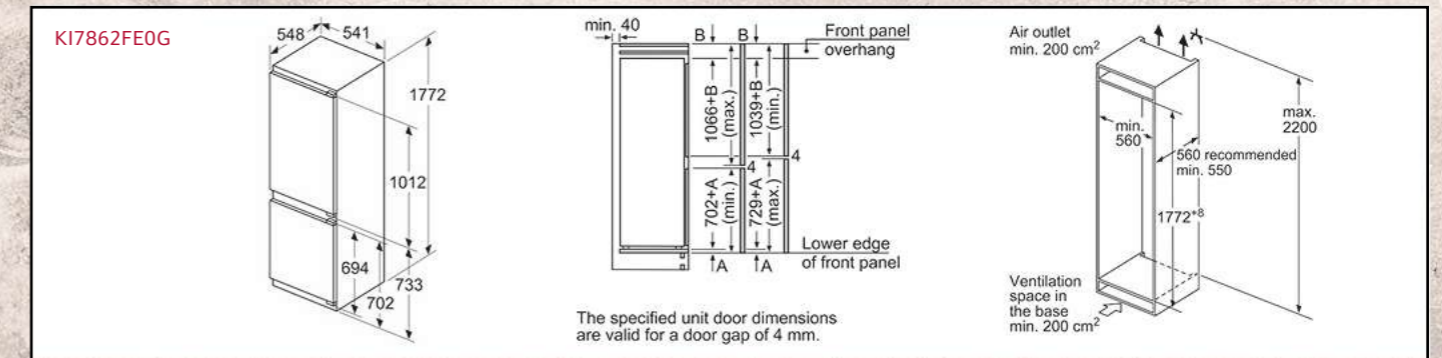
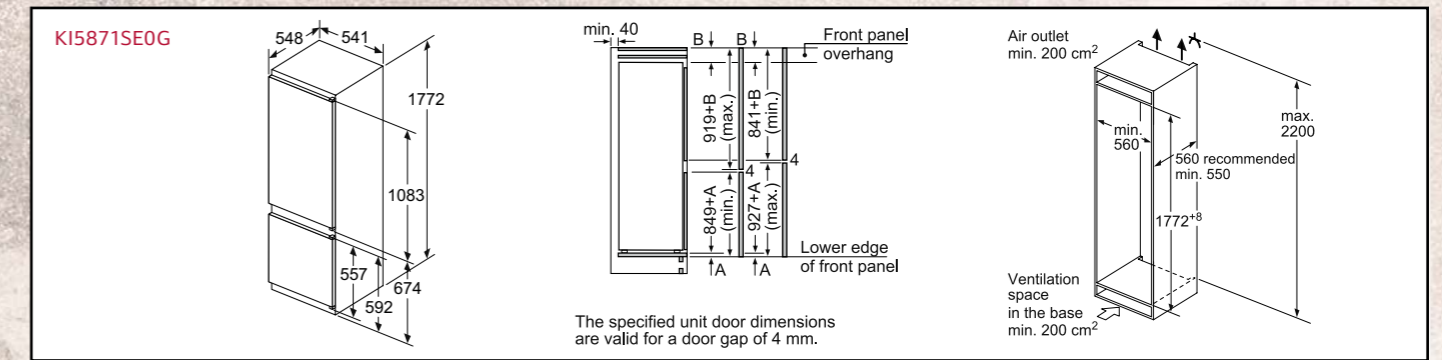
x 1 (unit depth)	a	b
600	0	0
650	20	25
700	20	76

x 2 (wall)	a	b
600	0	0
650	20	25
700	20	76

Built-In Fridge Freezers



Built-In Fridge Freezers



THE NEFF OVEN COLLECTIONS

HOBS

VENTILATION

REFRIGERATION

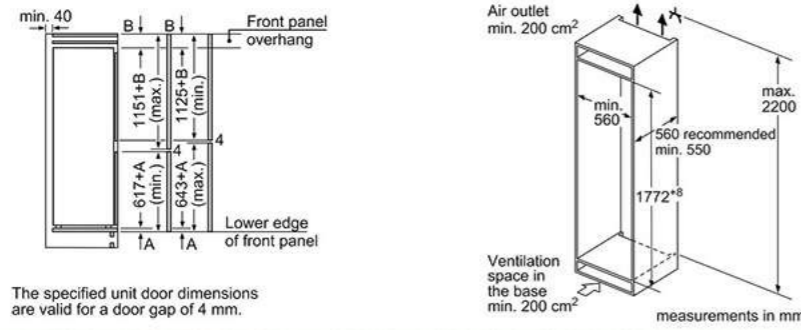
DISHWASHING

LAUNDRY

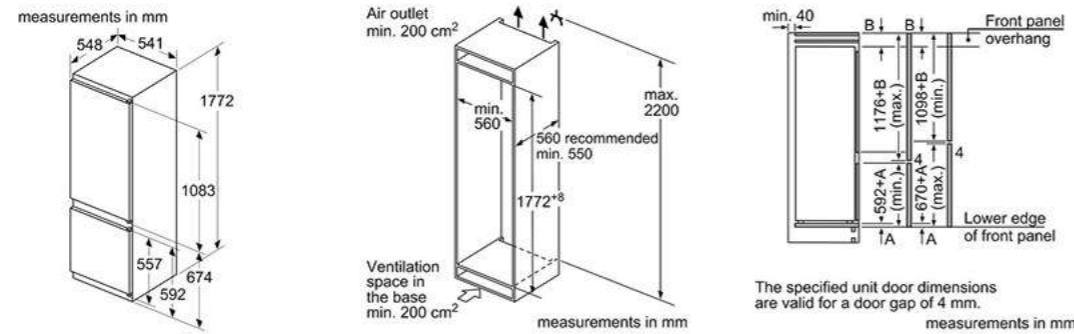
Measurements in mm. The line drawings featured in this brochure are provided as a guide to general dimensions only and are subject to amendment without prior notice. For full dimensional and installation details please refer to the documentation supplied with the appliance.

Built-In Fridge Freezers

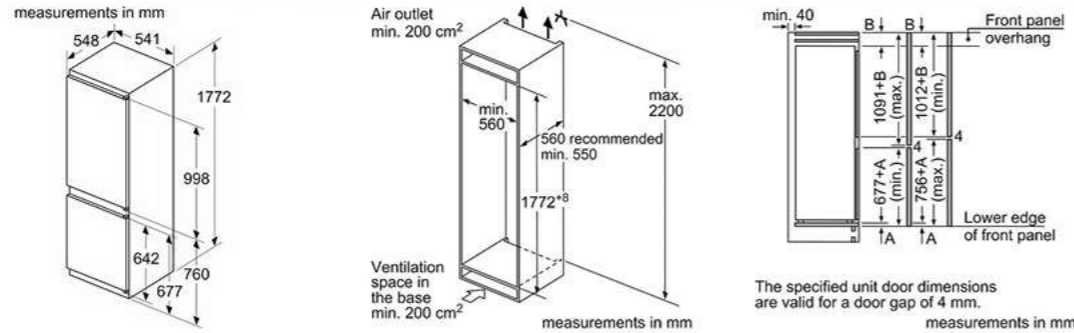
KI5872FE0G



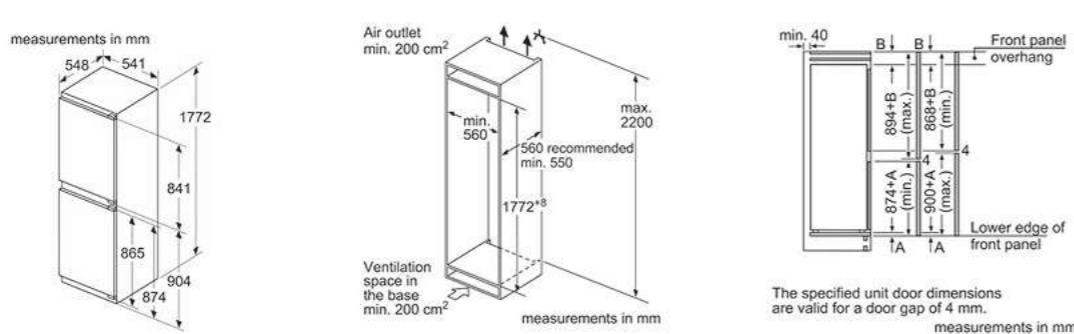
KI5872SE0G



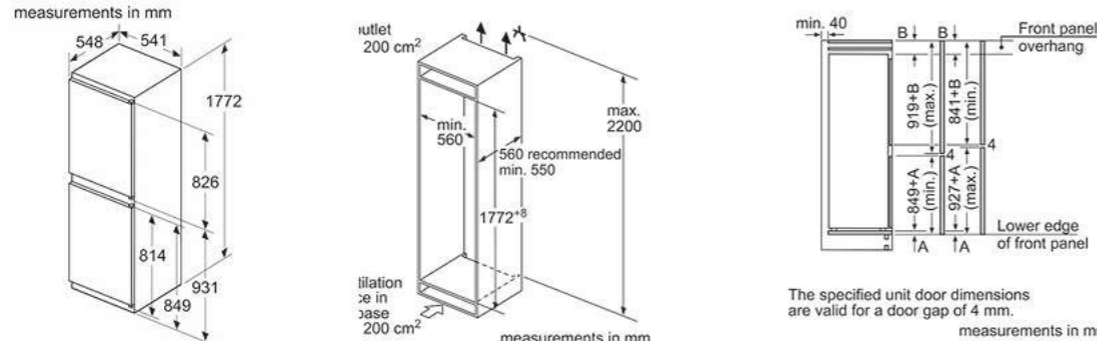
KI5862SE0G, KI7861SF0G



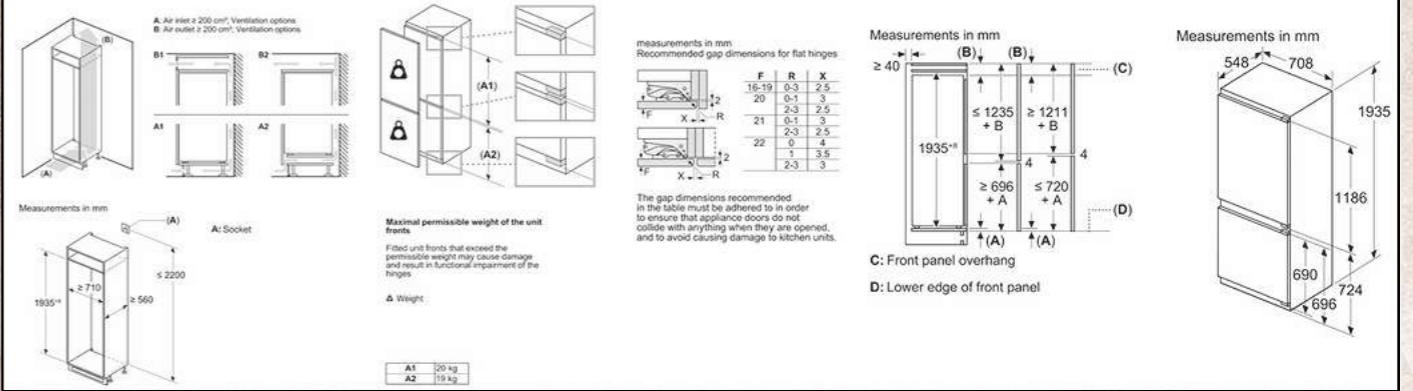
KI7851FF0G



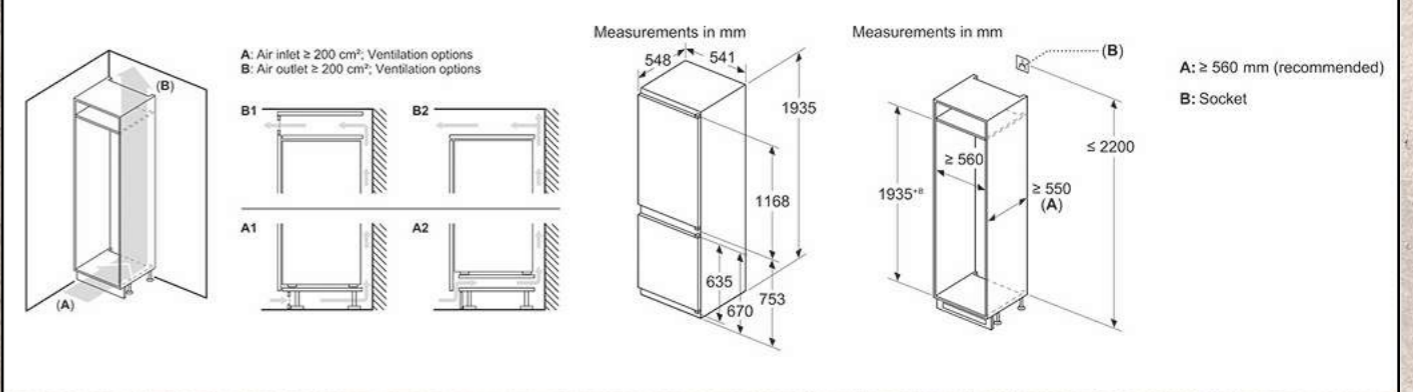
KI7851SF0G



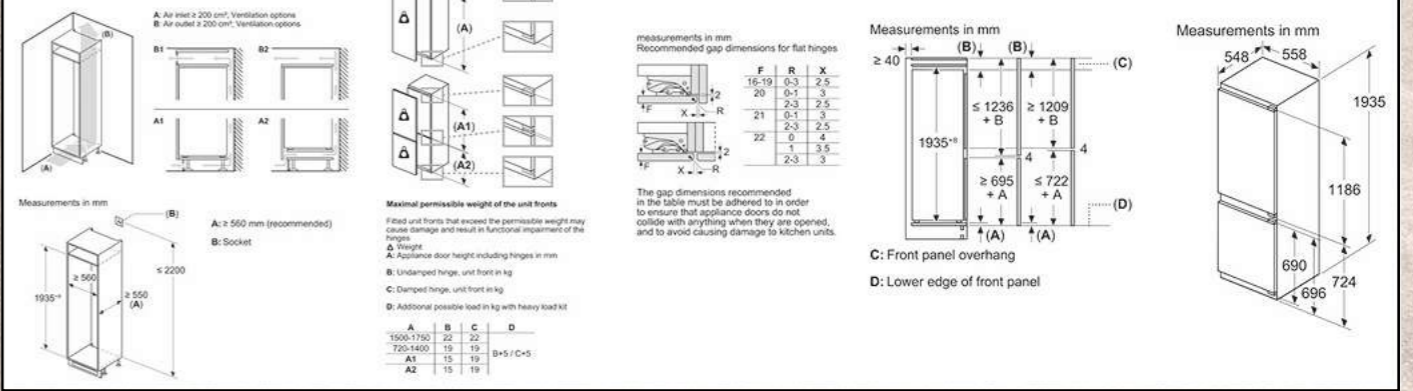
KB7966DD0G



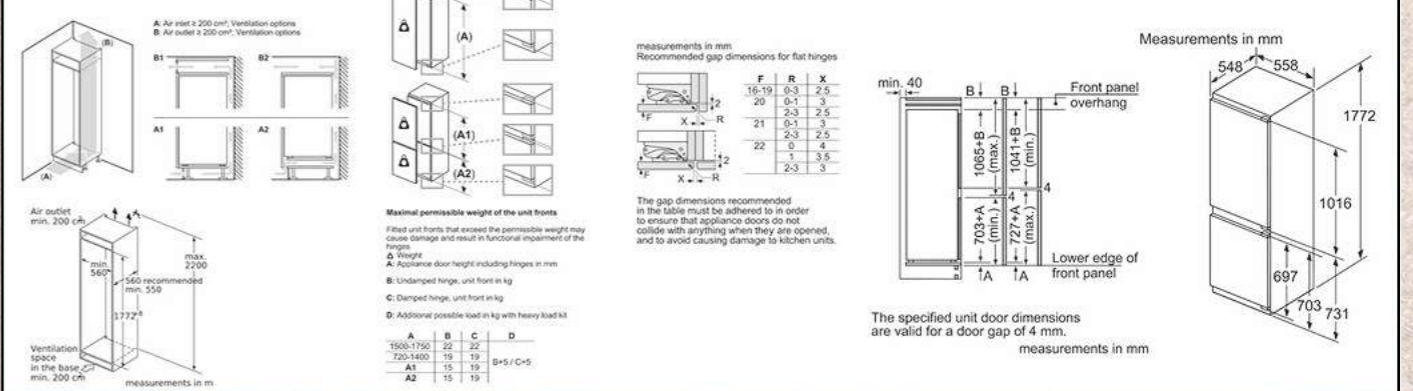
KI7961SE0



KI7962FD0

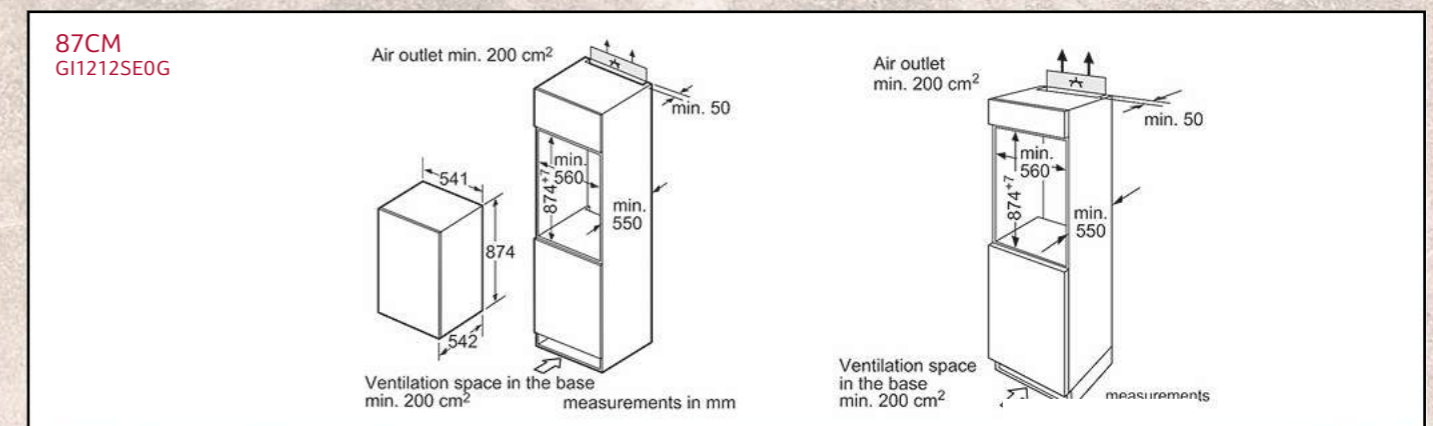
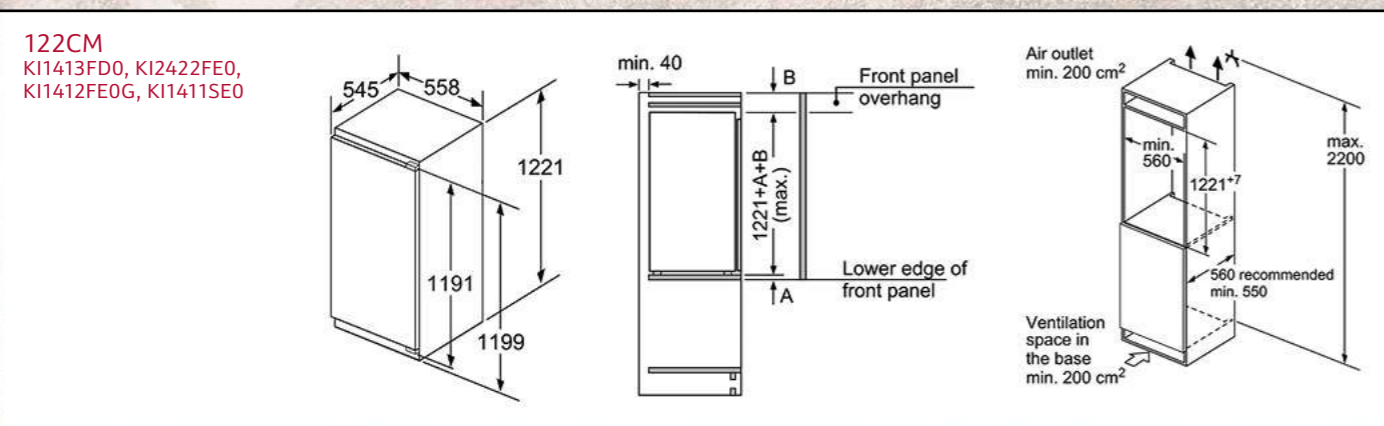
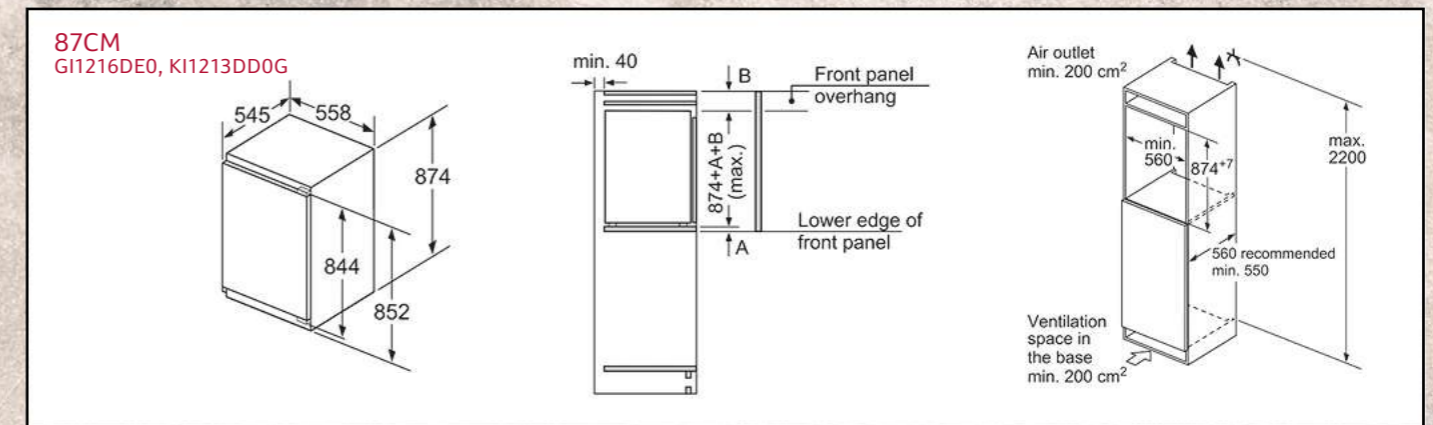
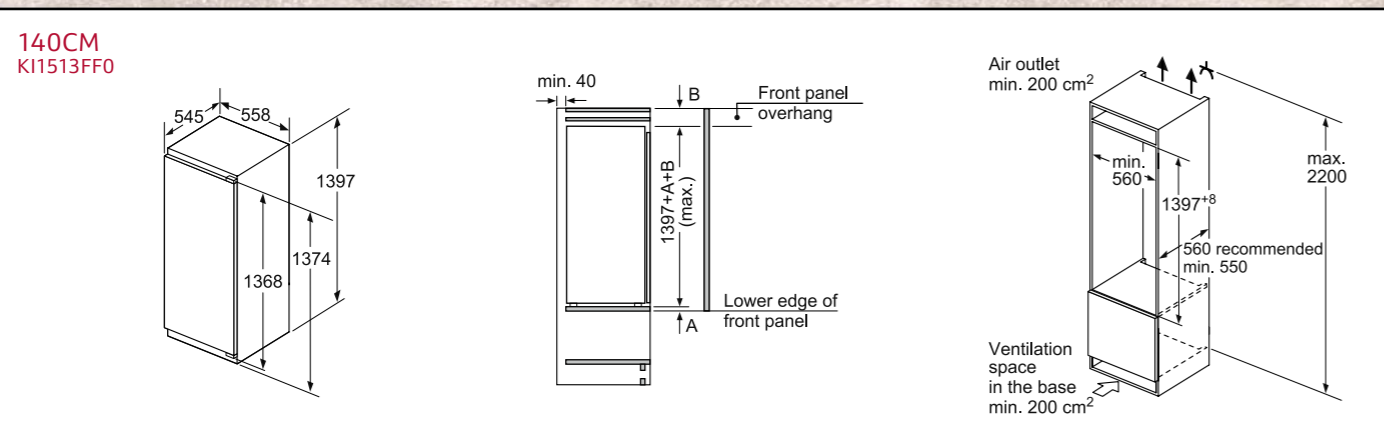
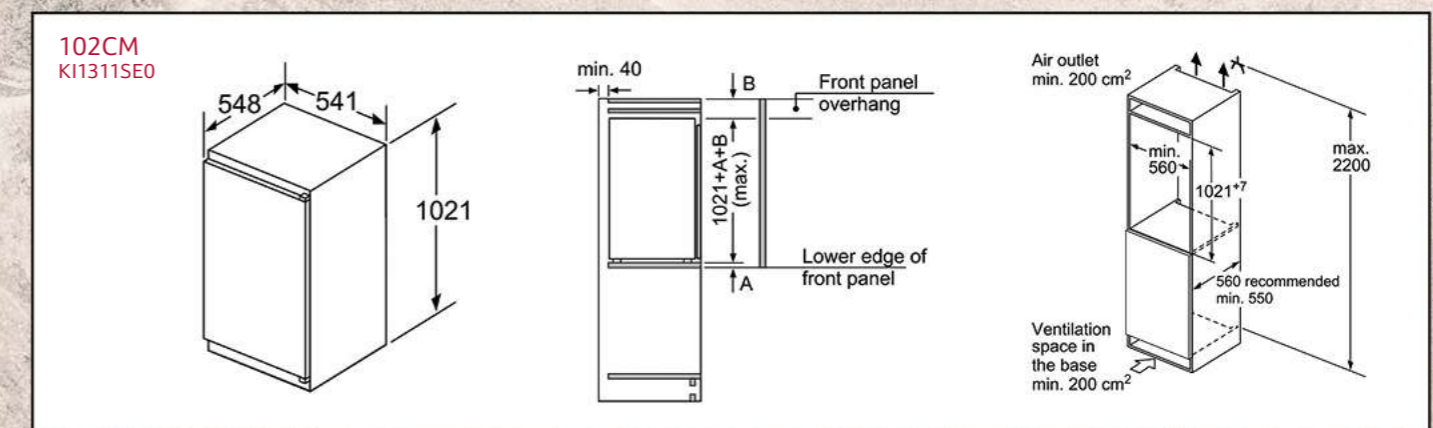
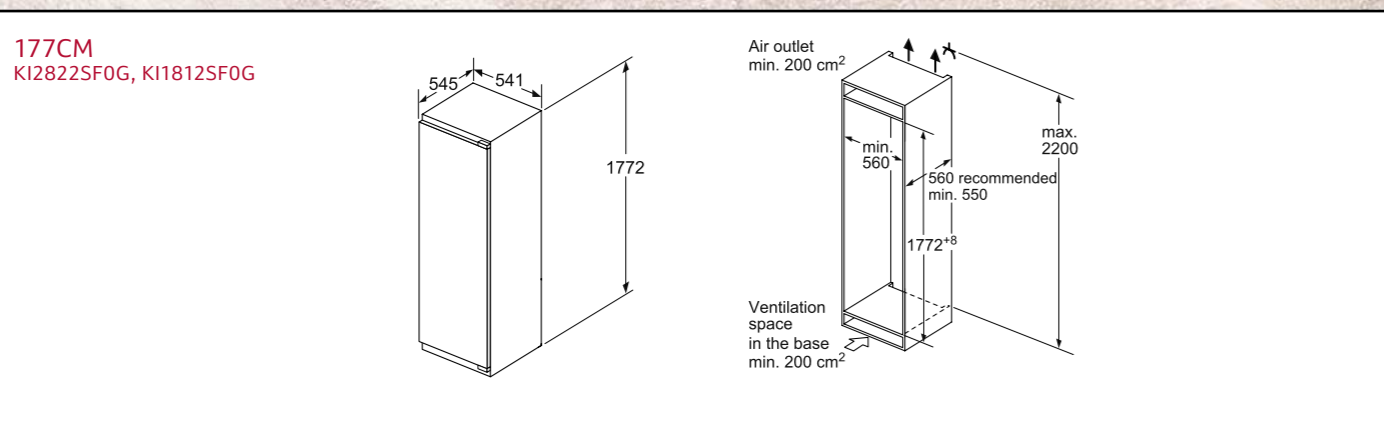
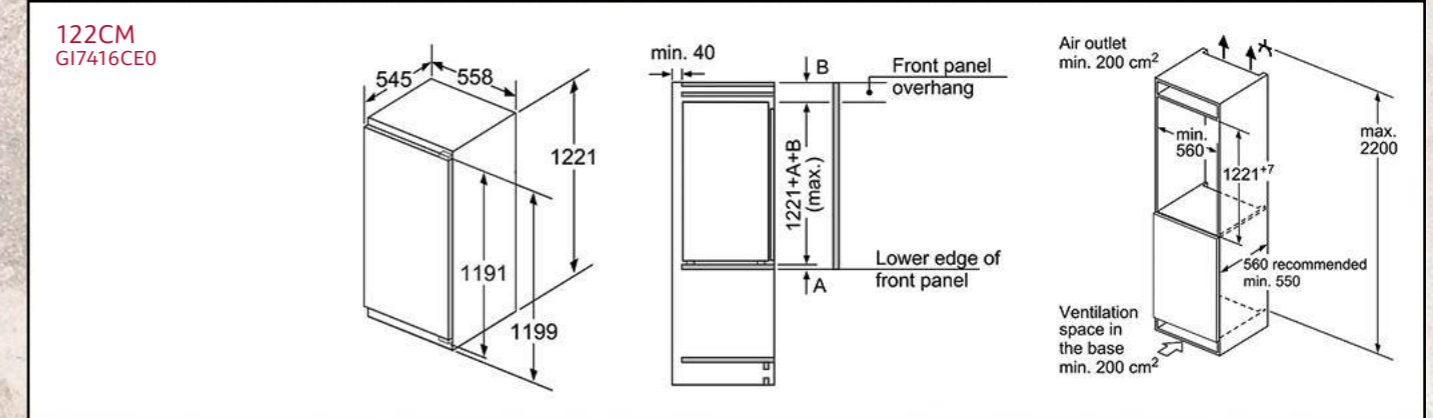
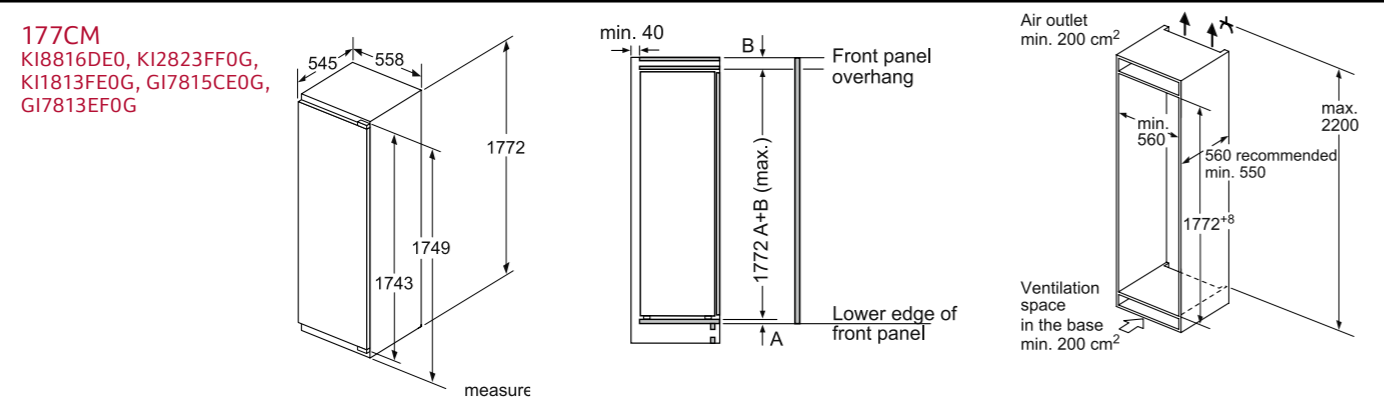


KI7863DD0G



Measurements in mm. The line drawings featured in this brochure are provided as a guide to general dimensions only and are subject to amendment without prior notice. For full dimensional and installation details please refer to the documentation supplied with the appliance.

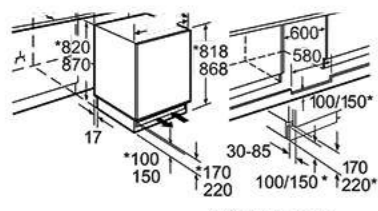
Built-In Single Door Fridges & Freezers



Measurements in mm. The line drawings featured in this brochure are provided as a guide to general dimensions only and are subject to amendment without prior notice. For full dimensional and installation details please refer to the documentation supplied with the appliance.

Built-In Single Door Fridges & Freezers

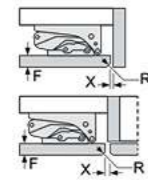
82CM
K4336XFF0G, K4316XFF0G



* Variable base/
substructure height

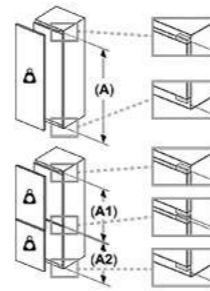
Space for electrical connection next to
the appliance on the left or right-hand side.
Ventilation space in the base.

measurements in mm
Recommended gap dimensions for flat hinges



F	R	X
16-19	0-3	2.5
20	0-1	3
	2-3	2.5
21	0-1	3
	2-3	2.5
22	0	4
	1	3.5
	2-3	3

The gap dimensions recommended
in the table must be adhered to in order
to ensure that appliance doors do not
collide with anything when they are opened,
and to avoid causing damage to kitchen units.



Maximal permissible weight of the unit fronts

Fitted unit fronts that exceed the permissible weight may
cause damage and result in functional impairment of the
hinges

Δ Weight

A: Appliance door height including hinges in mm

B: Undamped hinge, unit front in kg

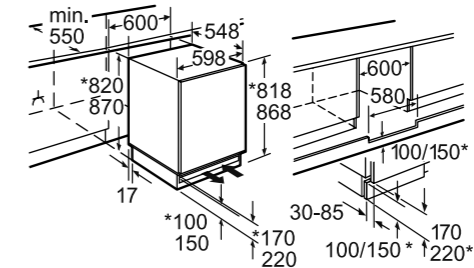
C: Damped hinge, unit front in kg

D: Additional possible load in kg with heavy load kit

A	B	C	D
1500-1750	22	22	
720-1400	19	19	B+5 / C+5
A1	15	19	
A2	15	19	

Built-Under Single Door Fridge & Freezers

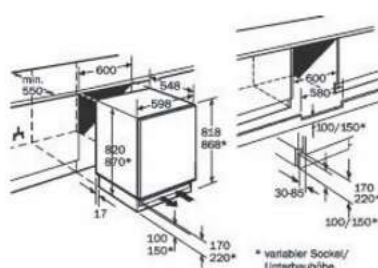
K4336XFF0G, K4316XFF0G, G4344XFF0G



* Variable base/
substructure height

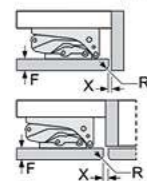
Space for electrical connection next to
the appliance on the left or right-hand side.
Ventilation space in the base.

82CM
G4344XFF0G



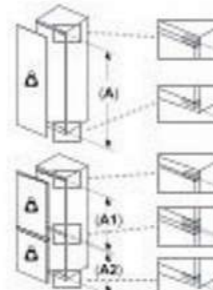
* variabler Sockel/
Unterbauhöhe
Platz für elektrischen Anschluss seitlich
rechts oder links neben dem Gerät.
Be- und Entlüftung im Sockel.

measurements in mm
Recommended gap dimensions for flat hinges



F	R	X
16-19	0-3	2.5
20	0-1	3
	2-3	2.5
21	0-1	3
	2-3	2.5
22	0	4
	1	3.5
	2-3	3

The gap dimensions recommended
in the table must be adhered to in order
to ensure that appliance doors do not
collide with anything when they are opened,
and to avoid causing damage to kitchen units.



Maximal permissible weight of the unit fronts

Fitted unit fronts that exceed the permissible weight may
cause damage and result in functional impairment of the
hinges

Δ Weight

A: Appliance door height including hinges in mm

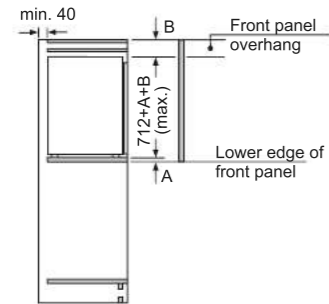
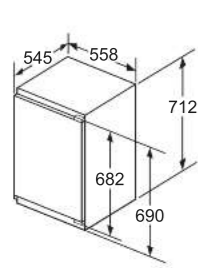
B: Undamped hinge, unit front in kg

C: Damped hinge, unit front in kg

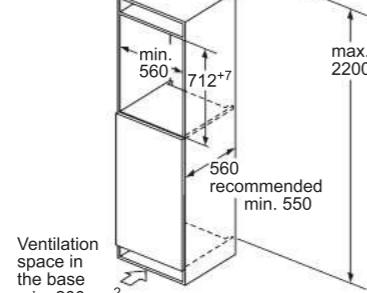
D: Additional possible load in kg with heavy load kit

A	B	C	D
1500-1750	22	22	
720-1400	19	19	B+5 / C+5
A1	15	19	
A2	15	19	

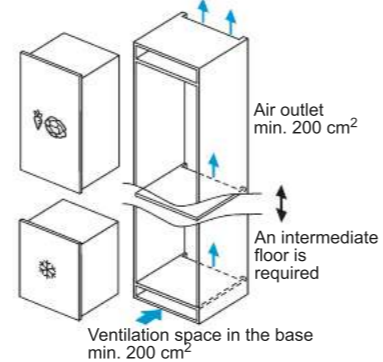
72CM
GI1113FE0



Air outlet
min. 200 cm²



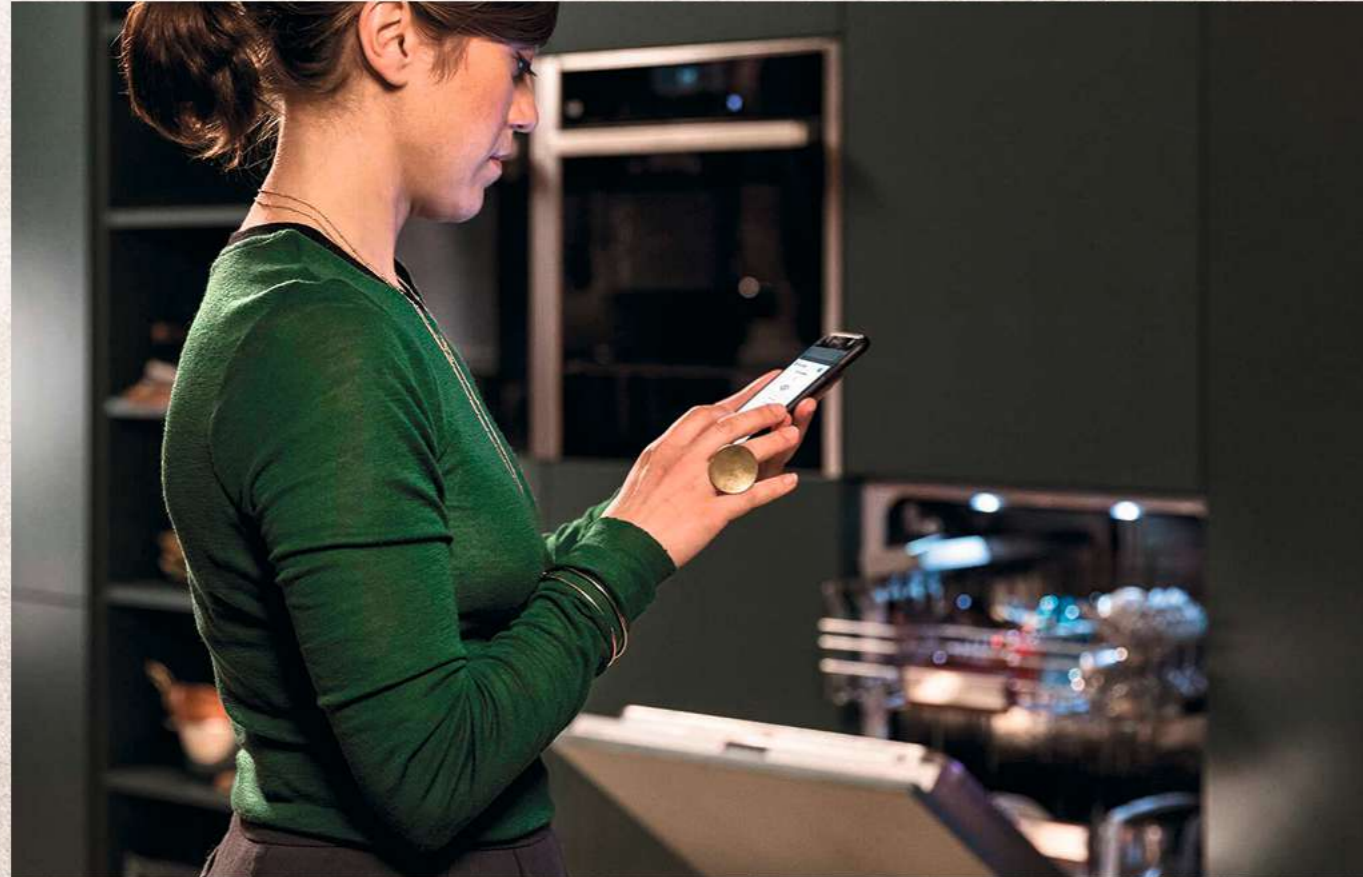
Ventilation
space in
the base
min. 200 cm²



Your Guide To Dishwashers

Clean dishes, whatever your wishes

Choosing the right appliance to complement your kitchen and lifestyle can be challenging. To help you select the perfect kitchen companion, we've introduced easy-to-follow Collections based on product features, technology, design and simplicity. There's a Collection to suit everyone.



Full Size Dishwashers

Designed to be as flexible and accommodating as possible, our full-sized dishwashers have adjustable baskets and racks to hold large or awkward items, as well as a choice of wash cycles, from intensive to delicate.



Featured model:
S187ZCX43G
N70 60cm Fully
Integrated
Dishwasher

Slimline Dishwashers

Where space is an issue, our SlimLine model S875HKX20G is ideal. Just 45cm wide, it fits into the smallest of spaces, but still offers all the features of a full size model. It's surprisingly roomy and able to cope with nine place settings at a time.



Featured model:
S875HKX20G N50
45cm Fully Integrated
Dishwasher

Feature Highlights

- All dishwasher models come with Home Connect
- Water consumption – 60cm width 9.5L/45cm width 8.5L
- 10 year anti-rust warranty
- Noise level 42 -48dB

The models from the collections can include:

SERIES FUNCTIONS				
Product Function	N 90*	N 70*	N 50*	N 30*
Flex 2 Baskets	•	•	•	-
Flex 1 Baskets	-	-	-	•
Flex Cutlery Drawer	•	•	•	•
Number of Options	6	5	5	5
Timelight / Infolight	•/-	•/-	•/•	-/•
DoorOpen Assist	•	•	•	-
Open Dry	•	•	-	-
White EmotionLight	•	•	-	-
Zeolith	•	•	-	-
Intelligent	•	-	-	-
Gap Illumination	-	-	•	-
Vario Hinge	-	-	•	-

*The features included in each collection are an overview only. Please ensure you check the product detail for exact features of each model.

Dishwasher Flexibility

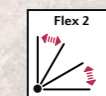
Flex Baskets

Fitting casserole dishes, large pans, full dinner sets and tall-stem wine glasses into a dishwasher can be a challenge – especially when you're cleaning your most robust cookware alongside delicate items. Our Flex Baskets are designed to accommodate those bulkier items and provide an even, thorough clean. We have two options of basket flexibility to choose from.



Flex 1

Two foldable elements in the top and bottom rack provide the freedom to adapt the basket for different loadings.



Flex 2

Two foldable flip tines in the top basket and 4 foldable flip tines in the bottom basket offer quick and easy loading flexibility for safe positioning of glasses, cups, pots and pans.



Flex Cutlery Drawer

Transform your third loading level into a versatile cutlery drawer. It handily clicks into place whenever you need a tailor-made space for your forks, knives, and small kitchen utensils.



Rack-Matic

Allows the top basket to be raised and lowered as needed as well as run on an angle to cater for the wine glasses at the end of the night.

N90 Range of Appliances

Touch Control with TFT Display



FULLY INTEGRATED DISHWASHER 60CM WIDTH

Description	Place Settings	No of Programmes	Water Consumption	Noise Level	DoorOpen Assist	Model Number
Intelligent dishwasher with Zeolith Drying and TimeLight function	14	8	9.5L/2660L	43dB	✓	S189YCX02E

N70 Range of Appliances

Touch Control with LED Display



FULLY INTEGRATED DISHWASHER 60CM WIDTH

Description	Place Settings	No of Programmes	Water Consumption	Noise Level	DoorOpen Assist	Model Number
Dishwasher with Zeolith Drying and Open Dry function	14	6	9.5L	43dB	Yes	S187TC800E
Dishwasher with Zeolith Drying and TimeLight function	13	8	7.7L	44dB	Yes	S187ZCX43G
Dishwasher with Open Dry function and Timelight	14	8	9.5L	42dB	Yes	S187ECX23G

N50 Range of Appliances

Backlit Push Button Control with LED Display



FULLY INTEGRATED DISHWASHER 60CM WIDTH

Description	Place Settings	No of Programmes	Water Consumption	Noise Level	VarioHinge	DoorOpen Assist	Model Number
Dishwasher with Cutlery Drawer and Gap Illumination	14	6	9.5L	46dB	✓	✓	S195HCX26G
Dishwasher with Cutlery Drawer and TimeLight	14	6	9.5L	46dB			S155HCX27G
Dishwasher with TimeLight function	13	6	9.5L	46dB			S155HAX27G
Dishwasher with Cutlery Drawer and InfoLight function	13	6	9.5L	46dB			S155HVX15G

FULLY INTEGRATED DISHWASHER 45CM WIDTH

Slimline Dishwasher with InfoLight	9	6	8.5L	46dB	✓		S875HKX20G
------------------------------------	---	---	------	------	---	--	------------

N30 Range of Appliances

Toggle Control with LED Display



FULLY INTEGRATED DISHWASHER 60CM WIDTH

Features	Place Settings	No of Programmes	Water Consumption	Noise Level	Model
Dishwasher with Flex Cutlery Drawer and InfoLight function	14	5	9.5L	48dB	S153HCX02G
Dishwasher with InfoLight function	13	5	9.5L	48dB	S153HAX02G
Dishwasher with Polinox base and InfoLight function	12	5	10.5L	48dB	S153ITX05G

Accessories	Model Number
Decor strip - For full size Polinox base models, 81.5cm height	Z780BI02
Decor strip - For full size and slimline Stainless Steel base models, 81.5cm height	Z780BI01
Decor strip - For full size Stainless Steel base models, 86.5cm height	Z780BI11
Decor strip - For full size Stainless Steel base models installed off the ground, 81.5cm height	Z786OX3
Decor strip - For full size Stainless Steel base models installed off the ground, 86.5cm height	Z7861X3
Split door furniture connection rail	Z788BI00

Key Functions Guide

Design Features



AQUA STOP

Protects inlet and outlet hoses from leakage. A safety valve prevents any more water from entering the dishwasher and overflowing – even when the machine is off.



OPEN DRY

No need to manually open the door of your dishwasher to allow the load to cool off. Open Dry takes care of that by opening the door automatically during the drying phase.



INFO LIGHT

Info Light projects a red light onto the floor that showcases clearly that this dishwasher is in operation. Info Light is available for fully integrated dishwashers.



HEAT EXCHANGER

Ensures that the drying phase of programmes is energy efficient and glassware is fully protected by preventing extreme temperatures.



DOOR OPEN ASSIST

Door Open Assist is the perfect solution for anybody looking to achieve a sleek, handleless design in their kitchen. Simply press lightly on the front of the unit to open the dishwasher door. Ideal for a range of integrated designs, Door Open Assist is also a convenient addition to busy kitchens. Electronic child lock can be activated, creating a double push to open.



ZEOLITH

A form of mineral, Zeolith has the ability to absorb moisture and turn it in to heat. The heat produced naturally by Zeolith is used during the drying cycle, ensuring that no additional energy is needed to dry your cookware. With the ability to absorb moisture, your glasses will come out steam free and will be cool enough to handle. Automatically activated by programmes with a drying phase, Zeolith regenerates itself and lasts a lifetime, so you don't have to maintain it.



GAP ILLUMINATION

Gap Illumination shines a soft white light on the side of the dishwasher to indicate the dishwasher is running. If you pause the cycle or open the door, the light will start blinking. This feature is available across Vario Hinge models.



TIME LIGHT

Time Light projects the remaining time as well as the ongoing process of the programme on any type of kitchen floor. Time Light is available for fully integrated dishwashers and washing machines.



VARIO HINGE

Vario Hinge attaches your furniture front to the door of the fully integrated dishwasher, regardless of whether it's on the floor or in a high cabinet. Vario Hinge smoothly lifts the furniture front above the plinth and base.



EMOTION LIGHT

LED lights in the front edge light up the dishwasher cavity.



GLASS CARE SYSTEM

Your dishwasher has a thing for delicate glassware, so it fine-tunes the water hardness to protect your glassware with never-ending care. A combination of the Glass 40° programme and Extra Shine option will clean your items impeccably without worry. With the introduction of anti-slip surfaces, silicon inserts and supports within Flex 2 baskets your glassware has never been more protected.

Programmes



FAVOURITE

Choose a programme, option, or combination on your dishwasher and save it as "Favourite", either via your Home Connect app or directly on the dishwasher.



1 HOUR 65°

No need to stack your dinner or party dishes for hours, simply load the dishwasher again. This function cleans and dries dishes in only 60 minutes. Spend more quality time with family and friends while enjoying food and tales using your favourite tableware.



EASY CLEAN

Give your dishwasher a deep clean with the new Easy Clean programme. Simply run the high temperature setting together with some dishwasher cleaner in an empty machine to remove limescale and grease from inside the cavity.



SILENCE

'Silence on demand' whenever you wish for peace and calm select this option via the Home Connect app. On activation the cycle will pause for 30 minutes. You have the flexibility to restart the cycle at anytime if you wish, after 30 minutes the programme will resume.



AUTOMATIC PROGRAMMES

Take the worry out of selecting exactly the right programme and let the machine do it for you. Automatically changes settings to ensure you get the best clean for your load.



CHEF 70°C

With a hotter setting and a powerful spray, the Chef 70° programme is perfect for cleaning even the dirtiest pots, pans and cooking utensils. Items placed in the lower basket are subject to higher spray pressures, eliminating the need for soaking and effectively removing even the most stubborn stains.

Special Functions



EXTRA SPEED

Depending on the selected programme you can reduce the running time of your dishwasher's programme to up to 66%. Make more of your quality time and enjoy optimum cleaning and drying results - while Extra Speed takes care of the load up to three times faster.



POWER ZONE

Activates higher wash temperatures and increases spray arm pressure in the bottom basket, while maintaining a more gentle wash in the top basket.



EXTRA SHINE

By increasing the amount of water during the rinse cycle and extending the drying phase, water marks are prevented and the drying result is further improved.

EXTRA HYGIENE

Provides a hotter final rinse, with 70°C water for 10 minutes, to effectively cleanse items such as chopping boards and cooking utensils*.

10-YEAR, ANTI-RUST WARRANTY

Due to advanced materials and manufacturing technologies, in addition to our standard appliance warranty, we're able to provide a free-of-charge warranty against the rusting-through of the dishwasher's inner cavity.

*Please note this programme does not sterilise.

Semi & Fully Integrated Dishwashers



S145ITS04G Home Connect S189YCX02E Home Connect S187TC800E Home Connect



S187ZCX43G Home Connect S187ECX23G Home Connect S295HCX26G Home Connect S195HCX26G Home Connect

APPLIANCE TYPE	60CM SEMI INTEGRATED		60CM FULLY INTEGRATED	
	N 50	N 90	N 70	N 70
COLLECTION	N 50		N 70	
MODEL NO.	S145ITS04G		S187TC800E	
Control Panel	Stainless steel	Grey	Grey	Grey
Height (cm) / Hinge Type	81.5	81.5 / Fixed	81.5 / Fixed	81.5 / Fixed
Design Features				
Drying system	Inherent heat	Zeolith / Open Dry	Zeolith / Heat exchanger / drying assist	Zeolith / Heat exchanger
Home Connect WiFi connectivity	●	●	●	●
Control panel type	Push buttons + LED	Touch control + LED	Touch control + LED	Touch control + LED
Basket description	Flex 1	Flex 2	Flex 3	Flex 2
Flex Cutlery Drawer (3rd loading level)	●	●	●	●
Status indicator	Gap Illumination (White)	Time Light (White)	Time Light (White)	Time Light (White)
Door open assist	●	●	●	●
Glass care technology	●	●	●	●
Anti-slip protection and stemware support upper basket	●	●	●	●
Adjustable upper basket	Rack Matic 3-stage	Rack Matic 3-stage	Rack Matic 3-stage	Rack Matic 3-stage
Number of flip tines in upper / lower basket	6 / 6	6 / 6	6 / 6	6 / 6
Cup shelves upper / lower baskets	2 / 2	2 / 2	2 / 2	2 / 2
Cutlery holder lower basket	●	●	●	●
Largest loadable dish upper / lower basket (cm)	21 / 31	21 / 31	21 / 31	21 / 31
Load / Aqua sensor	●	●	●	●
Real-time clock	●	●	●	●
Start delay time max hours	24	24	24	24
Emotion light (interior lighting)	●	●	●	●
End of cycle indicator	Acoustic	Acoustic	Acoustic	Acoustic
Salt / Rinse aid light indicator	●/●	●/●	●/●	●/●
Self cleaning filter system	●	●	●	●
Flood protection system	AquaStop	AquaStop	AquaStop	AquaStop
Safety features	Door lock	Door lock	Door lock	Door lock
PROGRAMMES / FUNCTIONS				
List of programmes	Eco 50 °C, Auto 45-65 °C, Chef 70 °C, Classic 60 °C, Glass 40 °C, Favourite, Easy Clean	Eco 50 °C, Auto 45-65 °C, Chef 70 °C, Classic 60 °C, Express 45 °C, Glass 40 °C, Silence 50 °C, Favourite, Easy Clean	Eco 50 °C, Auto 45-65 °C, Chef 70 °C, Classic 60 °C, Express 45 °C, Glass 40 °C, Favourite, Easy Clean	Eco 50 °C, Auto 45-65 °C, Chef 70 °C, Classic 60 °C, Express 45 °C, Glass 40 °C, Silence 50 °C, Favourite, Easy Clean
Additional special options	Remote Start, Extra Dry, Power Zone, Extra Speed	Remote Start, Extra Shine, Power Zone, Extra Hygiene, Extra Speed	Remote Start, Extra Shine, Power Zone, Extra Hygiene, Extra Speed	Remote Start, Extra Dry, Power Zone, Extra Speed
TECHNICAL SPECIFICATIONS				
Reference programme for measurements	Eco 50 °C	Eco 50 °C	Eco 50 °C	Eco 50 °C
Energy efficiency class ¹				
Energy ² / water ³ : kWh / litres	85 / 10.5L	65 / 9.5/2660L	/ 9.5 /	74 / 7.7
Load capacity (place settings)	12	14	14	13
Programme duration ⁴ : h:min	4:30	3:55	4:55	3:45
Noise level: dB (A) re 1 pW	48	43	43	44
Noise efficiency class	C	B	B	B
Noise level (silence programme): dB (A) re 1 pW		41		42
Length of electrical supply cord (cm)	175	175	175	175
Length inlet / outlet hose (cm)	165 / 190	165 / 190	165 / 190	165 / 190
Maximum height for installation (mm)	875	875	875	875
Maximum height adjustability feet (mm)	60	60	60	60
Maximum width for installation (mm)	608	600	608	600
Height of the product (mm)	815	815	815	815
Width / Depth of the product (mm)	598 / 573	598 / 550	598 / 550	598 / 550
Net weight / Gross weight (kg)	35 / 38	44.1 / 46	44.1 / 46	43.1 / 38
Water softener ⁵	●	●	●	●
Maximum accepted water hardness (*DH)	50	50	50	50
Maximum temperature for water intake (°C)	60	60	60	60
Interior cavity	Stainless steel	Stainless steel	Stainless steel	Stainless steel
Included accessories	Large item spray head, including Steam protection plate	Steam protection plate		Large item spray head, including Steam protection plate

All of our dishwashers have Aqua Stop water protection, detergent aware, Dosage Assist and a door lock as standard. All NEFF dishwashers are suitable for use with doors from 2.5kg-8.5kg apart from SlimLine S875HKX20G (2.5kg to 7.5kg) and VarioHinge models S195HCX26G and S295HCX26G (4.5kg to 11.0kg) if the correct door springs are installed.

60CM FULLY INTEGRATED				
N 70	N 70	N 50	N 50	
COLLECTION	N 70		N 50	
MODEL NO.	S187ZCX43G		S195HCX26G	
Control Panel	Stainless steel	Grey	Stainless steel	Stainless steel
Height (cm) / Hinge Type	81.5 / Fixed	81.5 / Fixed	81.5 / Vario Hinge	81.5 / Vario Hinge
Design Features				
Drying system	Zeolith / Heat exchanger	Heat exchanger / Open Dry	Heat exchanger	Heat exchanger
Home Connect WiFi connectivity	●	●	●	●
Control panel type	Touch control + LED	Touch control + LED	Push buttons + LED	Push buttons + LED
Basket description	Flex 2	Flex 2	Flex 2	Flex 2
Flex Cutlery Drawer (3rd loading level)	●	●	●	●
Status indicator	Time Light (White)	Time Light (White)	Gap Illumination (White)	Gap Illumination (White)
Door open assist	●	●	●	●
Glass care technology	●	●	●	●
Anti-slip protection and stemware support upper basket	●	●	●	●
Adjustable upper basket	Rack Matic 3-stage	Rack Matic 3-stage	Rack Matic 3-stage	Rack Matic 3-stage
Number of flip tines in upper / lower basket	6 / 6	6 / 6	6 / 6	6 / 6
Cup shelves upper / lower baskets	2 / 2	2 / 2	2 / 2	2 / 2
Cutlery holder lower basket	●	●	●	●
Largest loadable dish upper / lower basket (cm)	21 / 31	21 / 31	21 / 31	21 / 31
Load / Aqua sensor	●	●	●	●
Real-time clock	●	●	●	●
Start delay time max hours	24	24	24	24
Emotion light (interior lighting)	●	●	●	●
End of cycle indicator	Acoustic	Acoustic	Acoustic	Acoustic
Salt / Rinse aid light indicator	●/●	●/●	●/●	●/●
Self cleaning filter system	●	●	●	●
Flood protection system	AquaStop	AquaStop	AquaStop	AquaStop
Safety features	Door lock	Door lock	Door lock	Door lock
PROGRAMMES / FUNCTIONS				
List of programmes	Eco 50 °C, Auto 45-65 °C, Chef 70 °C, Classic 60 °C, Express 45 °C, Glass 40 °C, Silence 50 °C, Favourite, Easy Clean	Eco 50 °C, Auto 45-65 °C, Chef 70 °C, Classic 60 °C, Express 45 °C, Glass 40 °C, Silence 50 °C, Favourite, Easy Clean	Eco 50 °C, Auto 45-65 °C, Chef 70 °C, Classic 60 °C, Glass 40 °C, Favourite, Easy Clean	Eco 50 °C, Auto 45-65 °C, Chef 70 °C, Classic 60 °C, Glass 40 °C, Favourite, Easy Clean
Additional special options	Remote Start, Extra Shine, Power Zone, Extra Speed	Remote Start, Extra Dry, Power Zone, Extra Speed	Remote Start, Extra Dry, Power Zone, Extra Speed	Remote Start, Extra Dry, Power Zone, Extra Speed
TECHNICAL SPECIFICATIONS				
Reference programme for measurements	Eco 50 °C	Eco 50 °C	Eco 50 °C	Eco 50 °C
Energy efficiency class ¹				
Energy ² / water ³ : kWh / litres	74 / 7.7	85 / 9.5	85 / 9.5	85 / 9.5
Load capacity (place settings)	13	14	14	14
Programme duration ⁴ : h:min	3:45	4:35	4:55	4:55
Noise level: dB (A) re 1 pW	44	42	46	46
Noise efficiency class	B	B	C	C
Noise level (silence programme): dB (A) re 1 pW	42	39		
Length of electrical supply cord (cm)	175	175	175	175
Length inlet / outlet hose (cm)	165 / 190	165 / 190	165 / 190	165 / 190
Maximum height for installation (mm)	875	875	875	875
Maximum height adjustability feet (mm)	60	60	60	60
Maximum width for installation (mm)	600	600	600	608
Height of the product (mm)	815	815	815	815
Width / Depth of the product (mm)	598 / 550	598 / 550	598 / 550	598 / 550
Net weight / Gross weight (kg)	43.1 / 38	43.1 / 45	35 / 38	35 / 38
Water softener ⁵	●	●	●	●
Maximum accepted water hardness (*DH)	50	50	50	50
Maximum temperature for water intake (°C)	60	60	60	60
Interior cavity	Stainless steel	Stainless steel	Stainless steel	Stainless steel
Included accessories	Large item spray head, including Steam protection plate	Large item spray head, including Steam protection plate	Large item spray head, including Steam protection plate	Large item spray head, including Steam protection plate

* Yes, model has this feature

¹ On an energy-efficiency class scale from A to G

² Energy consumption in kWh/100 operating cycles (using Eco programme)

³ Water consumption in litres/operating cycle (using Eco programme)

⁴ Duration of Eco programme

⁵ We would recommend our dishwashers are connected to the mains water supply where possible. However, they may also be connected to an external water softener as long as the water softener produces softened water of less than 1.1 mmol/litre (7.0°e) and the water softener in the appliance is turned off. Please contact product advice for further information. Water pressure required: 0.5-10 Bar. Flow rate: 10 litres per minute. Inlet valve connected directly to 3/4" screwed joint. Data valid in this table as of April 2022. Subject to modification without prior notice.

Fully Integrated Dishwashers



S155HCX27G Home Connect



S155HAX27G Home Connect



S155HVX15G Home Connect



S153HCX02G Home Connect



S153HAX02G Home Connect



S153ITX05G Home Connect

APPLIANCE TYPE	60CM FULLY INTEGRATED	
COLLECTION	N 50	N 50
MODEL NO.	S155HCX27G	S155HAX27G
Control Panel	Stainless steel	Stainless steel
Height (cm) / Hinge Type	81.5 / Fixed	81.5 / Fixed
Design Features		
Drying system	Heat exchanger	Heat exchanger
Home Connect WiFi connectivity	●	●
Control panel type	Push buttons + LED	Push buttons + LED
Basket description	Flex 2	Flex 2
Flex Cutlery Drawer (3rd loading level)	●	●
Status indicator	Time Light (White)	Time Light (White)
Door open assist	●	●
Glass care technology	●	●
Anti-slip protection and stemware support upper basket	●	●
Adjustable upper basket	Rack Matic 3-stage	Rack Matic 3-stage
Number of flip tines in upper / lower basket	6 / 6	6 / 6
Cup shelves upper / lower baskets	2 / 2	2 / 2
Cutlery holder lower basket	●	●
Largest loadable dish upper / lower basket (cm)	21 / 31	27 / 31
Load / Aqua sensor	●	●
Real-time clock	●	●
Start delay time max hours	24	24
Emotion light (interior lighting)	●	●
End of cycle indicator	Acoustic	Acoustic
Salt / Rinse aid light indicator	● / ●	● / ●
Self cleaning filter system	●	●
Flood protection system	AquaStop	AquaStop
Safety features	Door lock	Door lock
PROGRAMMES / FUNCTIONS		
List of programmes	Eco 50 °C, Auto 45-65 °C, Chef 70 °C, Classic 60 °C, Glass 40 °C, Favourite, Easy Clean	Eco 50 °C, Auto 45-65 °C, Chef 70 °C, Classic 60 °C, Glass 40 °C, Favourite, Easy Clean
Additional special options	Remote Start, Extra Dry, Power Zone, Extra Speed	Remote Start, Extra Dry, Power Zone, Extra Speed
TECHNICAL SPECIFICATIONS		
Reference programme for measurements	Eco 50 °C	Eco 50 °C
Energy efficiency class ¹		
Energy ² / water ³ : kWh / litres	85 / 9.5	84 / 9.5
Load capacity (place settings)	14	13
Programme duration ⁴ : h:min	4:55	4:55
Noise level: dB (A) re 1 pW	46	46
Noise efficiency class	C	C
Noise level (silence programme): dB (A) re 1 pW	175	175
Length of electrical supply cord (cm)	175	175
Length inlet / outlet hose (cm)	165 / 190	165 / 190
Maximum height for installation (mm)	875	875
Maximum height adjustability feet (mm)	60	60
Maximum width for installation (mm)	608	608
Height of the product (mm)	815	815
Width / Depth of the product (mm)	598 / 550	598 / 550
Net weight / Gross weight (kg)	35 / 38	35 / 38
Water softener ⁵	●	●
Maximum accepted water hardness (°DH)	50	50
Maximum temperature for water intake (°C)	60	60
Interior cavity	Stainless steel	Stainless steel
Included accessories	Large item spray head, including Steam protection plate	Large item spray head, including Steam protection plate

60CM FULLY INTEGRATED			
N 50	N 30	N 30	N 30
S155HVX15G	S153HCX02G	S153HAX02G	S153ITX05G
Control Panel	Stainless steel	Stainless steel	Stainless steel
Height (cm) / Hinge Type	81.5 / Fixed	81.5 / Fixed	81.5 / Fixed
Design Features			
Drying system	Heat exchanger	Heat exchanger	Heat exchanger
Home Connect WiFi connectivity	●	●	●
Control panel type	Push buttons + LED	Toggle control + LED	Toggle control + LED
Basket description	Flex 2	Flex 1	Flex 1
Flex Cutlery Drawer (3rd loading level)	●	●	●
Status indicator	Info Light (Red)	Info Light (Red)	Info Light (Red)
Door open assist	●	●	●
Glass care technology	●	●	●
Anti-slip protection and stemware support upper basket	●	●	●
Adjustable upper basket	Rack Matic 3-stage	Rack Matic 3-stage	Rack Matic 3-stage
Number of flip tines in upper / lower basket	2 / 4	2 / 2	2 / 2
Cup shelves upper / lower baskets	2 / -	2 / 2	2 / -
Cutlery holder lower basket	●	●	●
Largest loadable dish upper / lower basket (cm)	21 / 31	21 / 31	27 / 31
Load / Aqua sensor	●	●	●
Real-time clock	●	●	●
Start delay time max hours	24	3/6/9	3/6/9
Emotion light (interior lighting)	●	●	●
End of cycle indicator	Acoustic	Acoustic	Acoustic
Salt / Rinse aid light indicator	● / ●	● / ●	● / ●
Self cleaning filter system	●	●	●
Flood protection system	AquaStop	AquaStop	AquaStop
Safety features	Door lock	Door lock	Door lock
PROGRAMMES / FUNCTIONS			
List of programmes	Eco 50 °C, Auto 45-65 °C, Chef 70 °C, Classic 60 °C, Glass 40 °C, Favourite, Easy Clean	Eco 50 °C, Auto 45-65 °C, Chef 70 °C, Classic 60 °C, Favourite, Easy Clean	Eco 50 °C, Auto 45-65 °C, Chef 70 °C, Classic 60 °C, Favourite, Easy Clean
Additional special options	Remote Start, Extra Dry, Power Zone, Extra Speed, Machine Care	Remote Start, Extra Dry, Power Zone, Extra Speed, Machine Care	Remote Start, Extra Dry, Power Zone, Extra Speed, Machine Care
TECHNICAL SPECIFICATIONS			
Reference programme for measurements	Eco 50 °C	Eco 50 °C	Eco 50 °C
Energy efficiency class ¹			
Energy ² / water ³ : kWh / litres	94 / 9.5	85 / 9.5	84 / 9.5
Load capacity (place settings)	13	14	13
Programme duration ⁴ : h:min	3:45	4:55	4:30
Noise level: dB (A) re 1 pW	46	48	48
Noise efficiency class	C	C	C
Noise level (silence programme): dB (A) re 1 pW	175	175	175
Length of electrical supply cord (cm)	175	175	175
Length inlet / outlet hose (cm)	165 / 190	165 / 190	165 / 190
Maximum height for installation (mm)	875	875	875
Maximum height adjustability feet (mm)	60	60	60
Maximum width for installation (mm)	608	608	608
Height of the product (mm)	815	815	815
Width / Depth of the product (mm)	598 / 550	598 / 550	598 / 550
Net weight / Gross weight (kg)	35 / 38	34.6 / 46	33.6 / 46
Water softener ⁵	●	●	●
Maximum accepted water hardness (°DH)	50	50	50
Maximum temperature for water intake (°C)	60	60	60
Interior cavity	Stainless steel / Polinox	Stainless steel	Stainless steel
Included accessories	Large item spray head, including Steam protection plate	Large item spray head, including Steam protection plate	Large item spray head, including Steam protection plate

All of our dishwashers have Aqua Stop water protection, detergent aware, Dosage Assist and a door lock as standard. All NEFF dishwashers are suitable for use with doors from 2.5kg-8.5kg apart from SlimLine S875HX20G (2.5kg to 7.5kg) and VarioHinge models S195HCX26G and S295HCX26G (4.5kg to 11.0kg) if the correct door springs are installed.

• Yes, model has this feature
¹ On an energy-efficiency class scale from A to G
² Energy consumption in kWh/100 operating cycles (using Eco programme)
³ Water consumption in litres/operating cycle (using Eco programme)
⁴ Duration of Eco programme
⁵ We would recommend our dishwashers are connected to the mains water supply where possible. However, they may also be connected to an external water softener as long as the water softener produces softened water of less than 1.1 mmol/litre (7.0°e) and the water softener in the appliance is turned off. Please contact product advice for further information. Water pressure required: 0.5-10 Bar. Flow rate: 10 litres per minute. Inlet valve connected directly to ¼" screwed joint. Data valid in this table as of April 2022. Subject to modification without prior notice.

THE NEFF OVEN COLLECTIONS
HOBS
VENTILATION
REFRIGERATION
DISHWASHING
LAUNDRY

Slimline Dishwasher

APPLIANCE TYPE	45CM FULLY INTEGRATED
COLLECTION	N 50
MODEL NO.	S875HKX20G
Control Panel	Stainless steel
Height (cm) / Hinge Type	81.5 / Vario Hinge
Design Features	
Drying system	Heat exchanger
Home Connect WiFi connectivity	●
Control panel type	Push buttons + LED
Basket description	Flex 1
Flex Cutlery Drawer (3rd loading level)	
Status indicator	Info Light (red)
Door open assist	
Glass care technology	●
Anti-slip protection and stemware support upper basket	
Adjustable upper basket	Height adjustable top basket
Number of flip tines in upper / lower basket	- / 2
Cup shelves upper / lower baskets	2 / -
Cutlery holder lower basket	●
Largest loadable dish upper / lower basket (cm)	27 / 31
Load / Aqua sensor	●
Real-time clock	
Start delay time max hours	24
Emotion light (interior lighting)	
End of cycle indicator	Acoustic
Salt / Rinse aid light indicator	● / ●
Self cleaning filter system	●
Flood protection system	AquaStop
Safety features	Door lock
PROGRAMMES / FUNCTIONS	
List of programmes	Eco 50 °C, Auto 45-65 °C, Chef 70 °C, Classic 60 °C, Glass 40 °C, Favourite, Easy Clean
Additional special options	Remote Start, Extra Dry, Power Zone, Extra Speed, Machine Care
TECHNICAL SPECIFICATIONS	
Reference programme for measurements	Eco 50 °C
Energy efficiency class ¹	
Energy ² / water ³ : kWh / litres	70 / 8.5
Load capacity (place settings)	9
Programme duration ⁴ : h:min	3:40
Noise level: dB (A) re 1 pW	46
Noise efficiency class	C
Noise level (silence programme): dB (A) re 1 pW	
Length of electrical supply cord (cm)	175
Length inlet / outlet hose (cm)	165 / 205
Maximum height for installation (mm)	875
Maximum height adjustability feet (mm)	60
Maximum width for installation (mm)	450
Height of the product (mm)	815
Width / Depth of the product (mm)	448 / 550
Net weight / Gross weight (kg)	28 / 30
Water softener ⁵	●
Maximum accepted water hardness (*DH)	50
Maximum temperature for water intake (°C)	60
Interior cavity	Stainless steel
Included accessories	Large item spray head, including Steam protection plate



S875HKX20G Home Connect

• Yes, model has this feature

¹ On an energy-efficiency class scale from A to G
² Energy consumption in kWh/100 operating cycles (using Eco programme)
³ Water consumption in litres/operating cycle (using Eco programme)
⁴ Duration of Eco programme
⁵ We would recommend our dishwashers are connected to the mains water supply where possible. However, they may also be connected to an external water softener as long as the water softener produces softened water of less than 1.1 mmol/litre (7.0°e) and the water softener in the appliance is turned off. Please contact product advice for further information. Water pressure required: 0.5-10 Bar. Flow rate: 10 litres per minute. Inlet valve connected directly to 3/4" screwed joint.
 Data valid in this table as of April 2022. Subject to modification without prior notice.

All of our dishwashers have Aqua Stop water protection, detergent aware, Dosage Assist and a door lock as standard. All NEFF dishwashers are suitable for use with doors from 2.5kg-8.5kg apart from SlimLine S875HKX20G (2.5kg to 7.5kg) and VarioHinge models S195HCX26G and S295HCX26G (4.5kg to 11.0kg) if the correct door springs are installed.



THE NEFF OVEN COLLECTIONS

HOBS

VENTILATION

REFRIGERATION

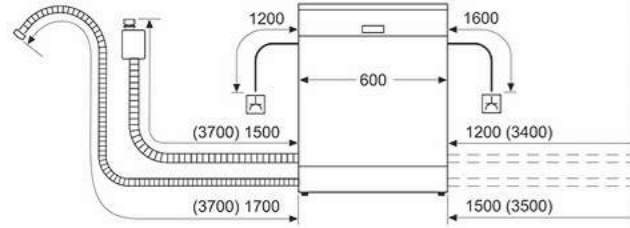
DISHWASHING

LAUNDRY

Fully Integrated Dishwashers

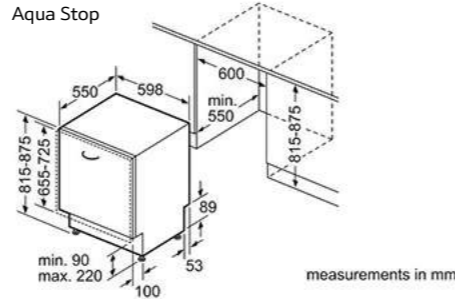
S189YC02E, S187TC800E, S187ZCX43G, S187ECX23G, S295HCX26G, S155HAX27G, S155HCX27G, S155HVX15G, S153HCX02G, S153HAX02G, S153ITX05G

measurements in mm

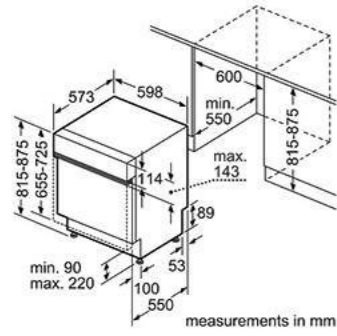


S187ZCX43G, S187ECX23G, S195HCX26G, S155HCX27G, S155HAX27G, S155HVX15G, S153HCX02G, S153HAX02G, S153ITX05G, S189YC02E

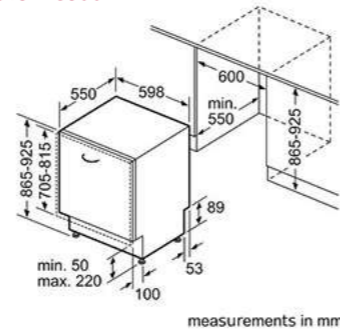
Aqua Stop



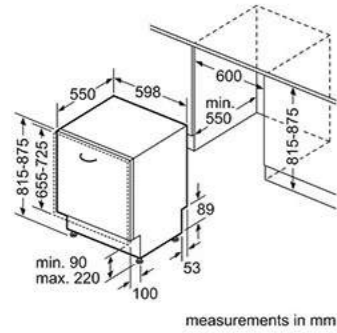
S145ITS04G



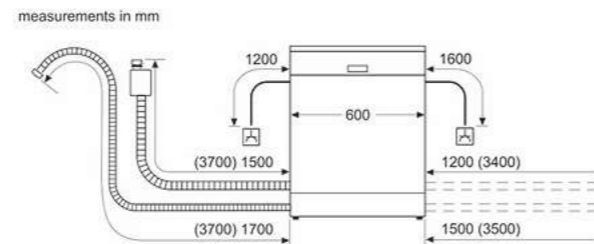
S295HCX26G, S187TC800E



S187TC800E



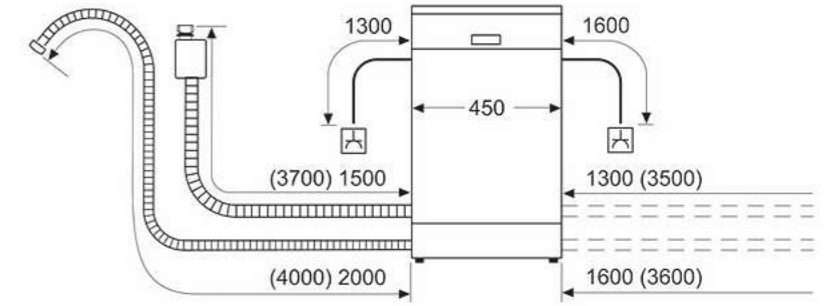
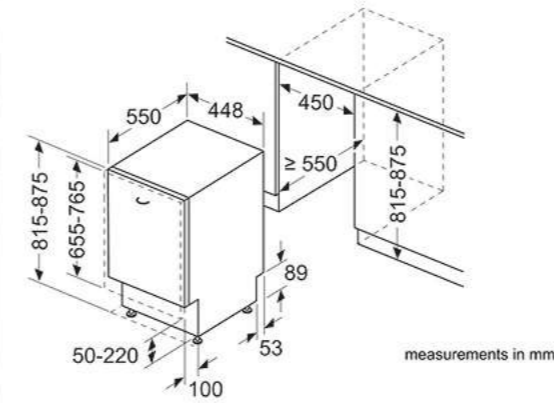
S187TC800E



socket
() values with extension kit

Slim Line Dishwasher

S875HKX20G



Your Guide to Laundry

Quality, performance and efficiency are standard on all our laundry appliances

A good laundry appliance should be reliable enough to provide perfect results again and again. We have three types of model to cover all your laundry needs: washing machines, washer dryer combination models and tumble dryers. All feature our signature innovations, designed to improve efficiency and, most importantly, to make life easier.



Our washing machines are so quiet they won't drown out your conversation. We have also added the innovative Time Light feature so you can see when your washing will be finished even when the furniture door is closed. A perfect solution for open plan kitchens.



TIME LIGHT

The time remaining of the wash cycle is clearly projected on to any floor surface. So you don't have to open the door to see when your washing will be finished. Perfect for open plan kitchens. Featured on model W544BX2GB.

Key Functions Guide

Key Features

INTELLIGENT WATER SYSTEM

Efficient washing is made simple with our built-in load sensor. With up to 256 load levels distinguished and a flow sensor for detecting the kind of textile, the amount of water used is tailored to your wash.

SENSOR DRYING

Continuously monitors the drying performance using sophisticated sensors to prevent overheating and over drying. The dryer stops automatically when the correct level of dryness is reached to deliver the finest fabric care and reduce ironing.

ANTI-VIBRATION SIDE PANELS

Our new side panels increase stability and reduce vibrations during even the fastest spin cycle. With a 3-step system which absorbs motor vibrations, centres unbalanced laundry and compensates for vibrations on the side walls, you benefit from low noise washing with every load.

ECO BAR / ECO BAR PLUS

Know how much energy you are using with the new Eco Bar feature, available on selected freestanding appliances. The LED bar displays five possible consumption levels. With Eco Bar Plus, energy and water consumption is displayed, giving you an indication of resources used on your chosen programme and options. The fewer LEDs illuminated, the more energy you are saving.

Additional Features

TIME DELAY

Allows you to programme the machine up to 24 hours in advance to suit any schedule or to take advantage of off-peak electricity rates.

DRUM LIGHT

The new drum interior LED light is a big help when unloading your fully-integrated NEFF built-in washing machine. It lights up the inside brightly enough so you'll never overlook another item of laundry.

AQUA STOP / AQUA SECURE PLUS

Protects inlet hoses from leakage. A safety valve prevents any more water from entering the washing machine.

RELOAD FUNCTION

If you need to add or remove an item after the programme has started, you can pause the cycle by pressing the Start/Reload button. The machine will check whether you can open the door and, if so, it lets you. To resume operation, just press the Start/Reload button again.

Programmes

STAIN-REMOVAL PROGRAMME

Banish even the most stubborn stains with our stain-specific programmes. With dedicated settings for red wine spillages, tomato splashes and butter/oil residue, there's no need to worry about cooking-related stains.

DRUM CLEAN WITH REMINDER

Prevent odours and germs with our handy Drum Clean reminder. When the machine detects a consecutive number of low washing temperatures (<40°), you'll be prompted to start the Drum Clean programme.

Options

LESS IRONING

Reduces the creasing of clothes as the water is gently removed from the wash with a light interval spin at the end of the cycle.

EXTRA RINSE OPTION

Available on almost every programme, it's especially helpful for sensitive skin.

FLEXI TIME

Cuts programme times by up to 30%. Simply select the cycle you wish to run and then select Flexi Time.

Some features are relevant for freestanding models only. For full details please refer to the website.

Integrated Laundry



MODEL NO.	W544BX2GB	W543BX2GB
BUILT-IN	WASHING MACHINE	WASHING MACHINE
KEY FEATURES		
Time Light	•	•
SpeedPerfect	•	•
Reload function	•	•
Targeted stain removal	•	•
Reduced noise wash	•	•
ADDITIONAL FEATURES		
Time delay	24 h	24 h
Control panel lock	•	•
Water protection system	Aqua Stop	Aqua Stop
PROGRAMMES / FUNCTIONS		
Cottons	•	•
Eco 40-60	•	•
Easy-care programme	•	•
Wool programme	•	•
Super Quick 15 / 30'	•	•
Mixed load	•	•
Shirts	•	•
Stain removal	Tomatoes, Red Wine, Butter/Oil	•
Delicates / Silk	•	•
Rinse	•	•
Spin / Drain	•	•
Drum Clean	•	•
OPTIONS		
Pre-wash	•	•
Extra rinse	•	•
Variable temperature / Variable spin	•/•	/•
PERFORMANCE / TECHNICAL INFORMATION		
Energy efficiency class ¹	A C	A C
Load capacity	1-8 kg	1-8 kg
Energy ² / Water ³	62 / 45 kWh / litres	62 / 45 kWh / litres
Programme duration ⁴	3:16 h:mm	3:16 h:mm
Maximum spin speed ⁵	1400 rpm	1400 rpm
Spin efficiency class	B	B
Noise level	66 dB(A) re 1 pW	66 dB(A) re 1 pW
Noise emission class	A	A
Dimensions of the product	818 x 596 x 544 (574) mm	818 x 596 x 544 (574) mm
Door opening angle	130°	130°
Depth with open door 90°	956 mm	956 mm
Height adjustability	120 mm	120 mm
Length of electrical supply cord	210 cm	210 cm
Length of supply hose / drain hose	220/220 cm	220/220 cm
Door hinge (porthole)	Left-hand	Left-hand

Not all options and programmes are shown, this is a guide, please refer to the website for more details. ¹On an energy-efficiency class scale from A to G. ²Energy consumption in kWh/100 operating cycles (using Eco 40-60 programme). ³Water consumption in litres/operating cycle (using Eco 40-60 programme). ⁴Duration of Eco 40-60 programme. ⁵The specified value is rounded.



MODEL NO.	V6540X3GB	V6320X2GB
BUILT-IN	WASHER DRYER	WASHER DRYER
KEY FEATURES		
Electronic control dial	•	•
Time selection options	•	•
Sensor controlled drying	•	•
ADDITIONAL FEATURES		
Time delay	24 h	19 h
Control panel lock	•	•
Water protection system	Aqua Stop	Aqua Secure
STANDARD PROGRAMMES		
Cottons	•	•
Eco 40-60	•	•
Easy-care programme	•	•
Wool programme	•	•
Delicates / Silk	•	•
Intensive dry	•	•
Gentle dry	•	•
ADDITIONAL PROGRAMMES		
Super Quick 15'	•	•
Reduced noise wash	•	•
Sportswear	•	•
Mixed load	•	•
Fluff removal programme	•	•
OPTIONS		
Flexi Time	•	•
Intensive	•	•
Pre-wash	•	•
Extra rinse	•	•
Less ironing	•	•
Variable temperature	•	•
Variable spin speed	•	•
PERFORMANCE / TECHNICAL INFORMATION		
Energy efficiency class washing and drying ¹	A G	A G
Energy efficiency class washing ²	A G	A G
Energy ³ / Water ⁴ washing and drying	266 / 68 kWh / litres	266 / 68 kWh / litres
Energy ³ / Water ⁴ washing	77 / 44 kWh / litres	77 / 44 kWh / litres
Load capacity washing and drying / washing	1-4 / 1-7 kg	1-4 / 1-7 kg
Programme duration ⁷ washing and drying / washing	5:30 / 2:50 h:mm	5:30 / 2:50 h:mm
Spin efficiency class	B	B
Spin speed ⁸	1355 rpm	1355 rpm
Noise level	72 dB(A) re 1 pW	72 dB(A) re 1 pW
Noise emission class	A	A
Dimensions of the product	820 x 595 x 584 mm	820 x 595 x 584 mm
Door opening angle	95°	95°
Depth with open door 90°	960 mm	960 mm
Height adjustability	15 mm	15 mm
Length of electrical supply cord	220 cm	220 cm
Length of supply hose / drain hose	200 / 200 cm	200 / 200 cm
Door hinge (porthole)	Left-hand	Left-hand

Not all options and programmes are shown, this is a guide, please refer to the website for more details. ¹⁻²On an energy-efficiency class scale from A to G. ³Energy consumption in kWh/100 complete operating cycles (using Eco 40-60 programme). ⁴Water consumption in litres/complete operating cycle (using Eco 40-60 programme). ⁵Energy consumption in kWh/100 wash cycles (using Eco 40-60 programme). ⁶Water consumption in litres/wash cycle (using Eco 40-60 programme). ⁷Duration of Eco 40-60 programme, complete operating cycle/wash cycle. ⁸The specified value is rounded.

VNA341U8GB - ¹⁻²On an energy-efficiency class scale from A to G. ³Energy consumption in kWh/100 complete operating cycles (using Eco 40-60 programme). ⁴Water consumption in litres/complete operating cycle (using Eco 40-60 programme). ⁵Energy consumption in kWh/100 wash cycles (using Eco 40-60 programme). ⁶Water consumption in litres/wash cycle (using Eco 40-60 programme). ⁷Duration of Eco 40-60 programme, complete operating cycle/wash cycle. ⁸The specified value is rounded.

Freestanding Washer Dryer



MODEL NO.	VNA341U8GB
FREESTANDING	WASHER DRYER
KEY FEATURES	
AutoDry - Sensor Drying	•
Anti Vibration design	•
Anti Crease cycle	mins
Reload facility	•
ADDITIONAL FEATURES	
Time delay	24 h
Control panel lock	•
Interior drum light	•
Water protection system	Aqua Secure
PROGRAMMES / FUNCTIONS	
Eco 40-60	•
Cottons	•
Refresh	•
Easy-care programme	•
Mixed load	•
Delicates / Silk	•
Wool programme	•
Red wine	•
Rapid 15' / Wash & Dry 60'	•
Intensive Dry	•
Gentle Dry	•
My time Dry	•
Prewash	•
Easy Iron	•
SpeedPerfect	•
Variable temperature / Variable spin	•
Sportswear	•
AllergyPlus	•
Shirts 15'	•
Rapid 40'	•
Down	•
Timed programme - Warm	•
Timed programme - Cold	•
Reduced ironing	•
PERFORMANCE / TECHNICAL INFORMATION	
Energy efficiency class washing and drying ¹	A G
Energy efficiency class washing ²	A C
Energy efficiency class drying	•
Energy ³ / Water ⁴ washing and drying	313 / 70 kWh/L
Energy ³ / Water ⁴ washing	63 / 41 kWh/L
Load capacity washing and drying / washing	1 - 5 / 1 - 8 kg
Programme duration ⁷ washing and drying / washing	7:30 / 3:32 h:mm
Spin efficiency class	B
Spin speed ⁸	1400 rpm
Capacity cotton	8 kg
Ambient temperature range	°C
Noise level	70 dB(A) re 1 pW
Noise efficiency class	A
Dimensions of the product	848 x 598 x 590 (635) mm
Depth with door open 90°	1073 mm
Door opening angle	165°
Door hinge position	Left-hand

THE NEFF OVEN COLLECTIONS

HOBS

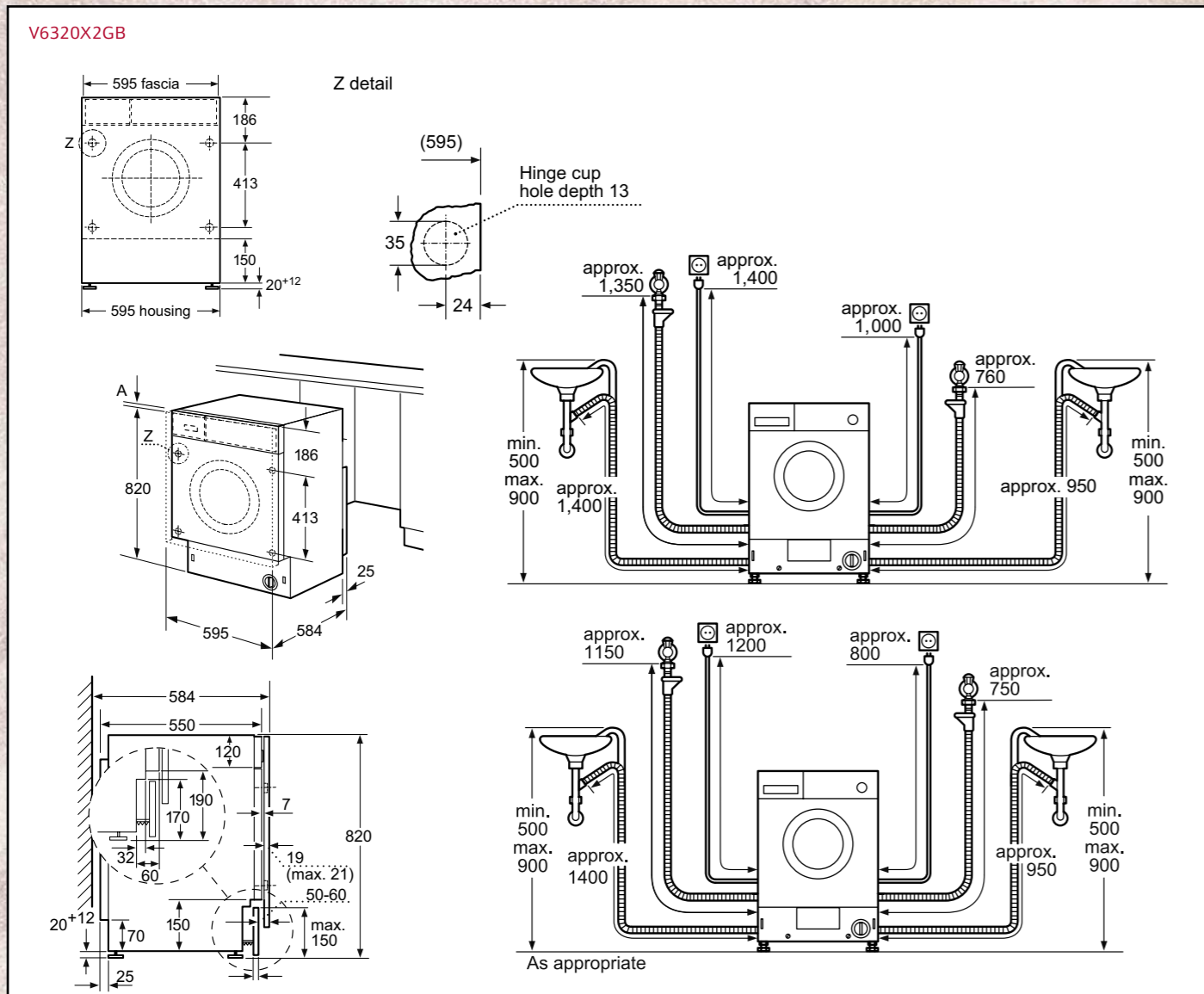
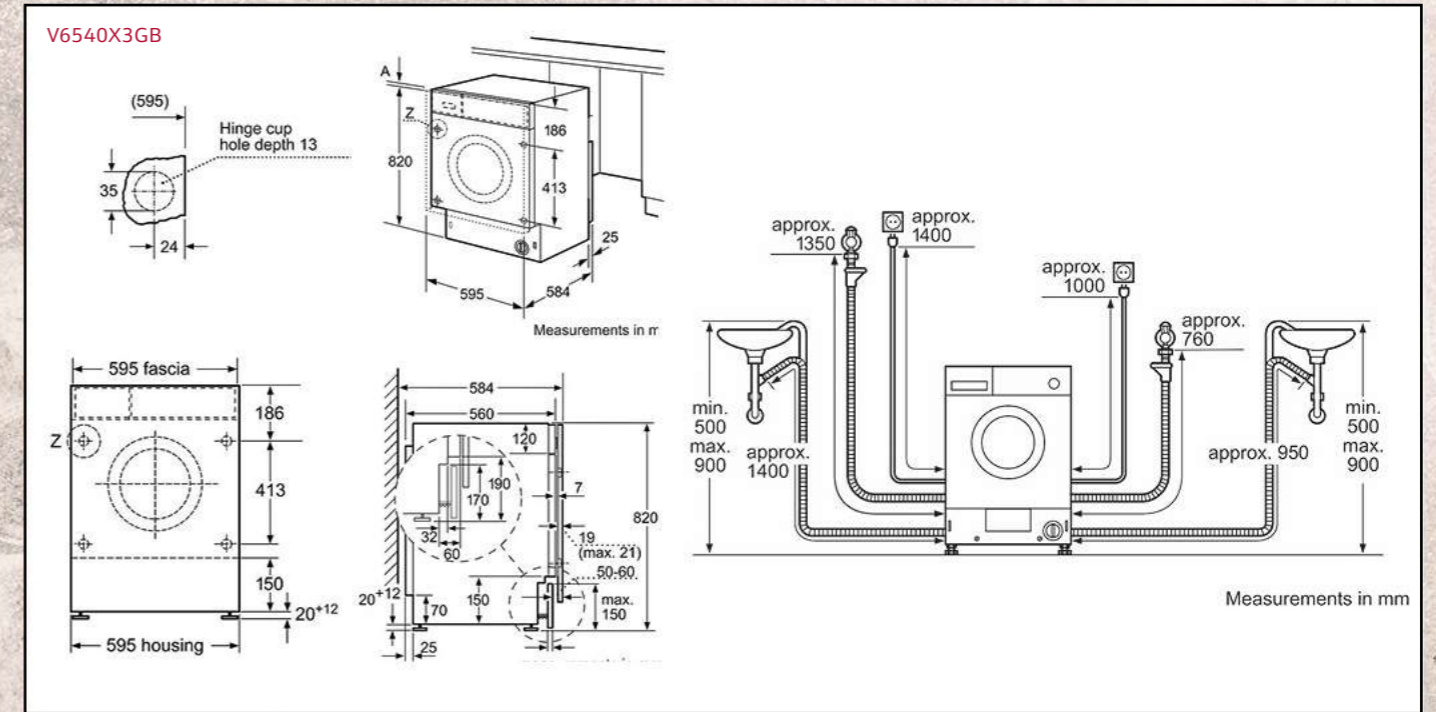
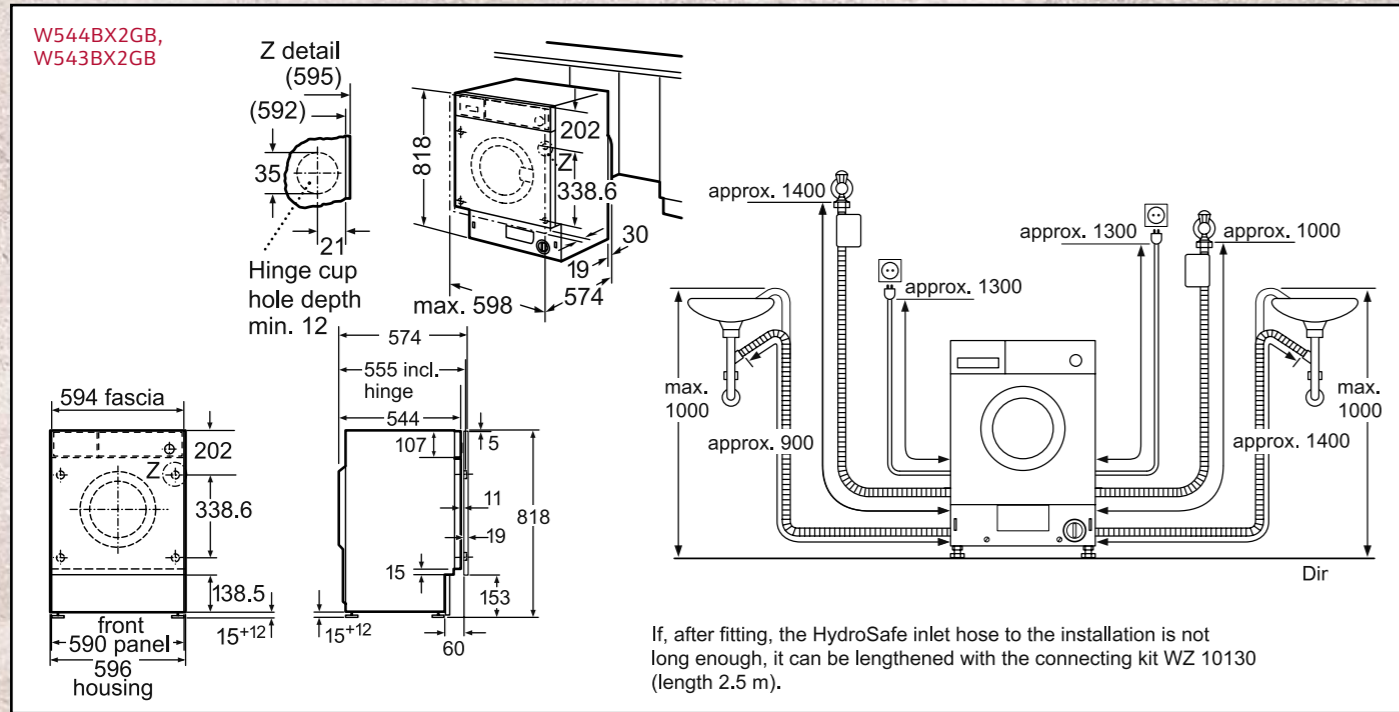
VENTILATION

REFRIGERATION

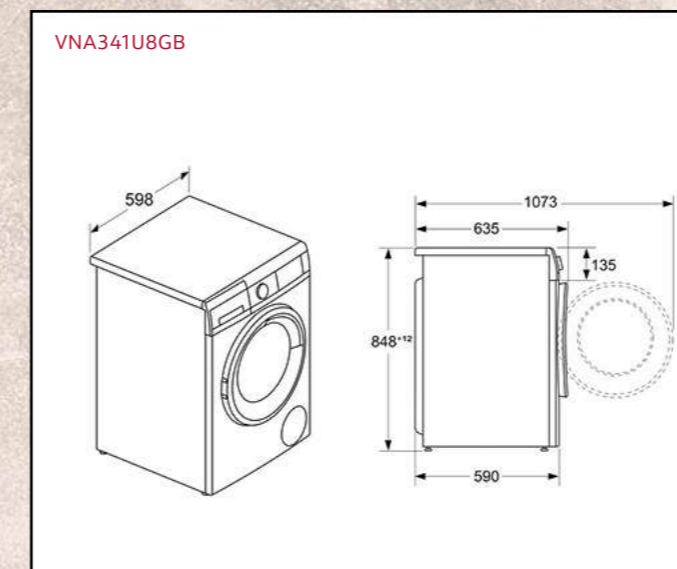
DISHWASHING

LAUNDRY

Fully Integrated Laundry



Freestanding Laundry



NEFF Customer Service



Here at NEFF, we understand that although our kitchens and appliances are designed to cope with even the most exacting cookaholics, sometimes you need to turn to us for help. Whether you need a visit from one of our engineers, some spare parts for your NEFF appliance or just some helpful advice, we're here to talk – around the clock*.

GIVE US A CALL ON
0344 892 8979

If you're in the Republic of Ireland, call us on (01) 450 2655

VISIT OUR WEBSITE AT
NEFF-HOME.COM/UK
NEFF-HOME.COM/IE

We're available 7 days a week. Our specialist advisors are available Monday to Friday 8am to 6pm, Saturday 9am to 5pm and Sunday 9am to 4pm. Calls are charged at the basic rate, please check with your telephone service provider for exact charges. In some areas we may use an approved service partner and the process may vary for repairs carried out by our service partners.

Please note that due to the implications of COVID-19, our contact hours and service availability are subject to change. For the latest information and updates on our services please visit our COVID-19 Service Update page on: neff-home.com/uk/coronavirus. Republic of Ireland customers should visit: neff-home.com/ie/coronavirus.

*Please note that after the working hours stated only a limited number of advisors are available.

Register my appliance

REGISTER YOUR APPLIANCE AND WARRANTY

It is important that you register all your kitchen appliances to ensure that the manufacturer has full details in the event of an important product update. You can find out more about registering your appliances online at:

registermyappliance.org.uk

All NEFF appliances are supplied with a two-year manufacturer's warranty. Please call 0800 519 2115 (Republic of Ireland 01230 0344) to register your NEFF warranty and find out more about extending your cover.

Please be aware that the above telephone number is managed by Domestic & General Services Limited who administer the warranty registration process on our behalf.



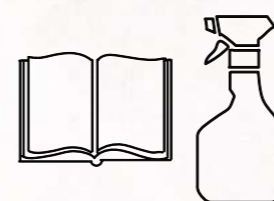
ARRANGE A VISIT FROM A NEFF ENGINEER

NEFF home appliances are built to the highest standard, but if you do need a visit from a NEFF engineer, we are here to help. Our locally based engineers are employed and trained by NEFF, which gives them unrivaled knowledge and expertise to repair NEFF appliances.

In some areas we may use an approved service partner to carry out repairs on our NEFF appliances, where the repair process may vary.

You can easily book and manage your engineer visit online at: neff-home.com/uk/service/repair/book-a-repair-online or via our call centre (see contact details above). Republic of Ireland customers should call: 01450 2655.

Calls will be answered 24 hours a day, 7 days a week. Calls are charged at the basic rate, please check with your telephone service provider for exact charges.



ACCESSORIES AND CLEANING PRODUCTS

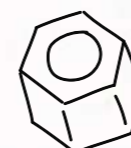
You can find everything you need for any appliance on the NEFF online store. It's here where you'll find our tested and approved cleaning and care products, along with other accessories ranging from a Glass Holder for your new dishwasher to a Teppan Yaki for your hob, or a new set of Telescopic Rails.

Shop online at: neff-home.com/uk/store



ONLINE HELP AND PRODUCT ADVICE

Prefer to go online? You can visit our support content at: neff-home.com/uk/service/support to quickly find the help you need. We cover questions about usage and maintenance of your appliance, as well as tips on getting started and installing your new appliances. You'll also be able to access your user manual at any time.



GENUINE NEFF SPARE PARTS

NEFF keeps a comprehensive range of replacement spare parts for up to ten years. You can browse our exploded view diagrams on our store or speak to an advisor on the phone to help you locate and buy the spare parts you need.

neff-home.com/uk/service/care-protection-and-parts

RECEIVE THE HIGHEST STANDARDS OF SERVICE FROM NEFF

NEFF appliances are well-known for their quality and we believe that our customers deserve customer service to match. We provide expert repairs both inside and outside the manufacturer's warranty period and we can offer advice on choosing an appliance which will enhance your favourite dishes.

NEFF is a division of BSH Home Appliances Limited, a company registered in England and Wales under company registration number 01844007, with registered office at: Grand Union House, Old Wolverton Road, Wolverton, Milton Keynes, Buckinghamshire, MK12 5PT.



NEFF Customer Service
Grand Union House
Old Wolverton Road
Milton Keynes
Buckinghamshire
MK12 5ZR

BSH Home Appliances Ltd.
M50 business Park
Ballymount
Dublin 12
T 1890 626 041
www.neff-home.com/ie

NEFF, a division of
BSH Home Appliances Ltd.
Grand Union House
Old Wolverton Road
Wolverton
Milton Keynes
MK12 5PT
www.neff-home.com/uk